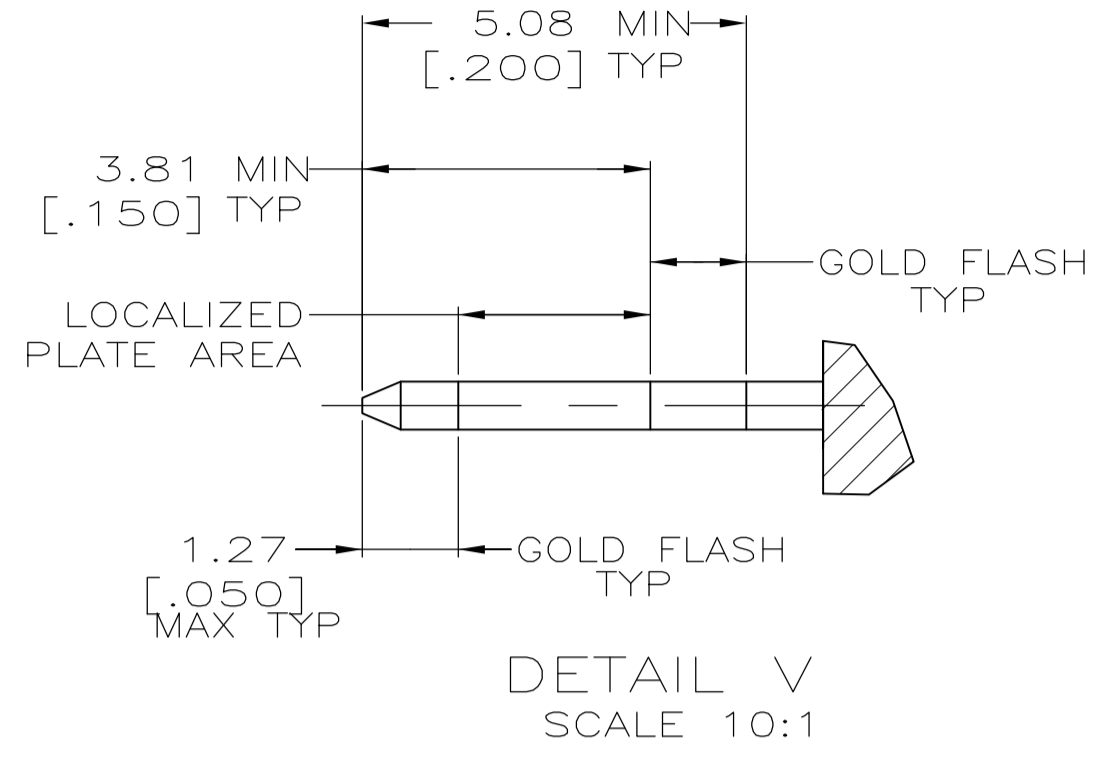
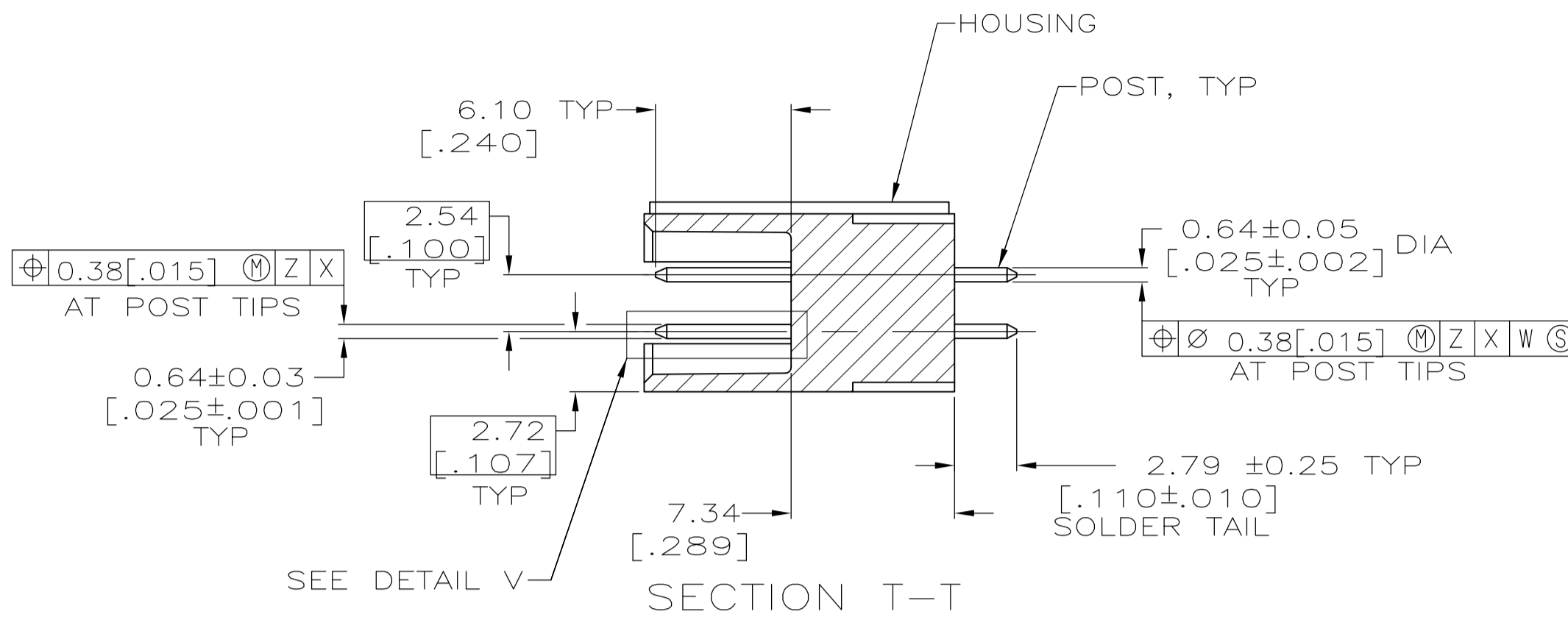
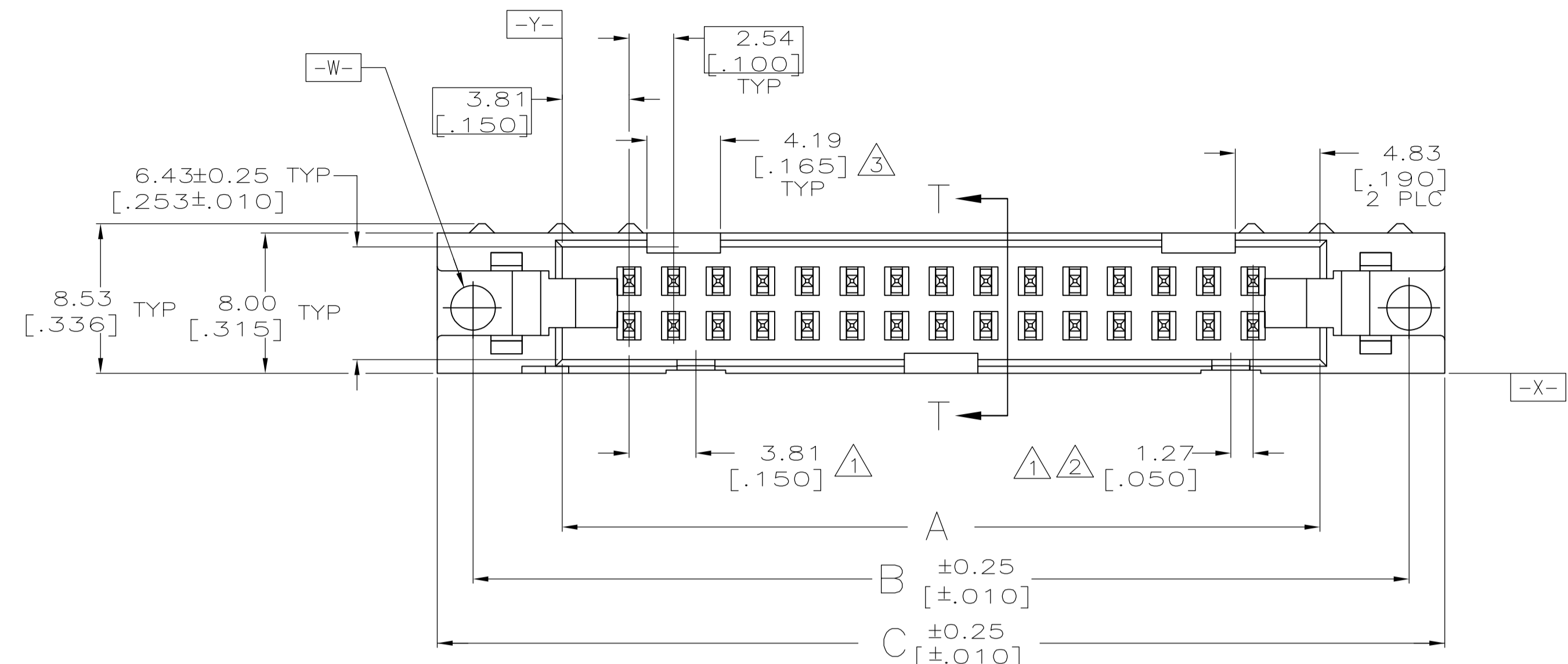
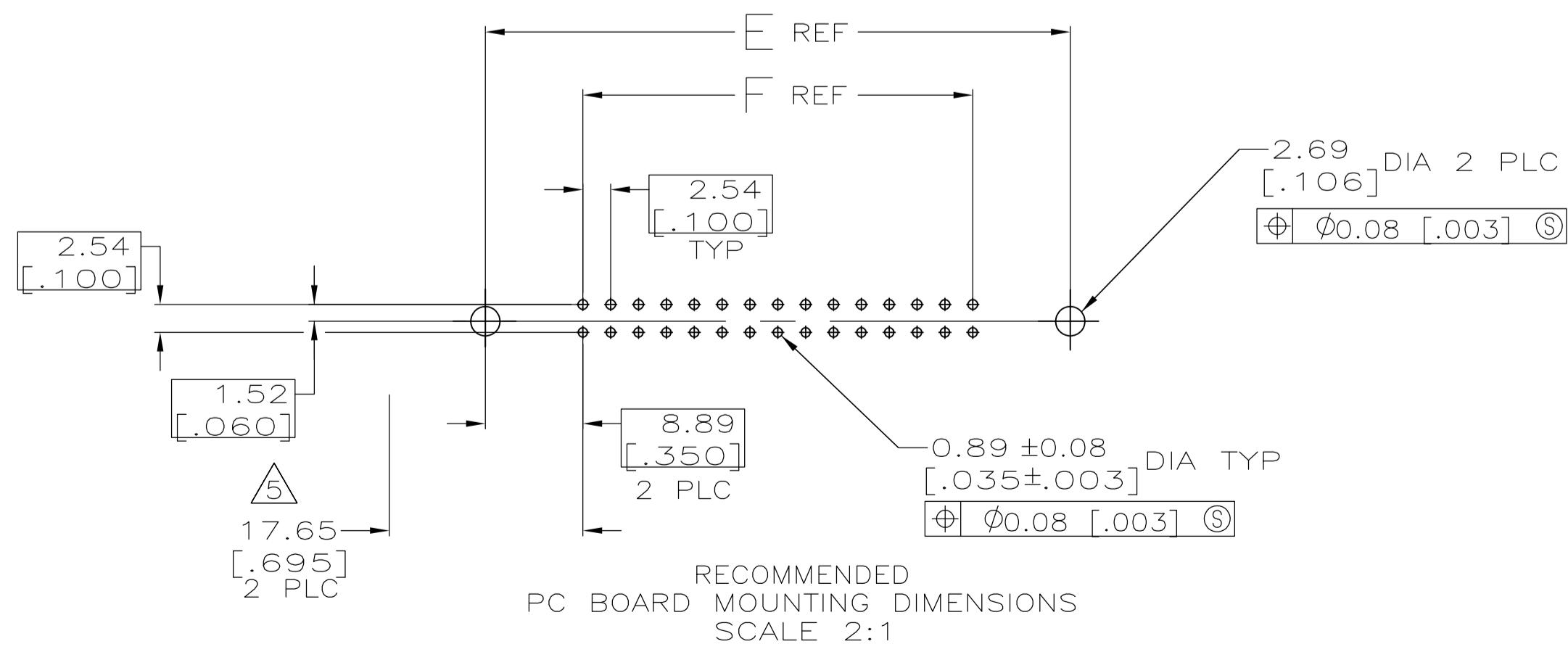
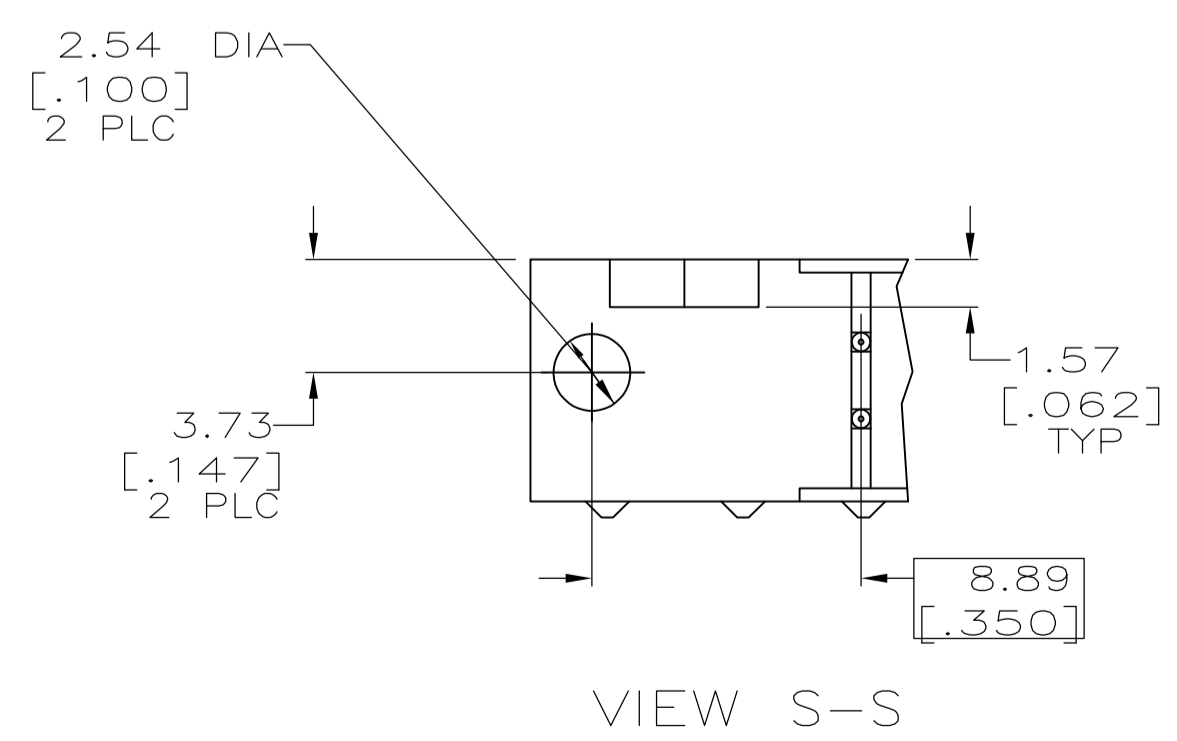
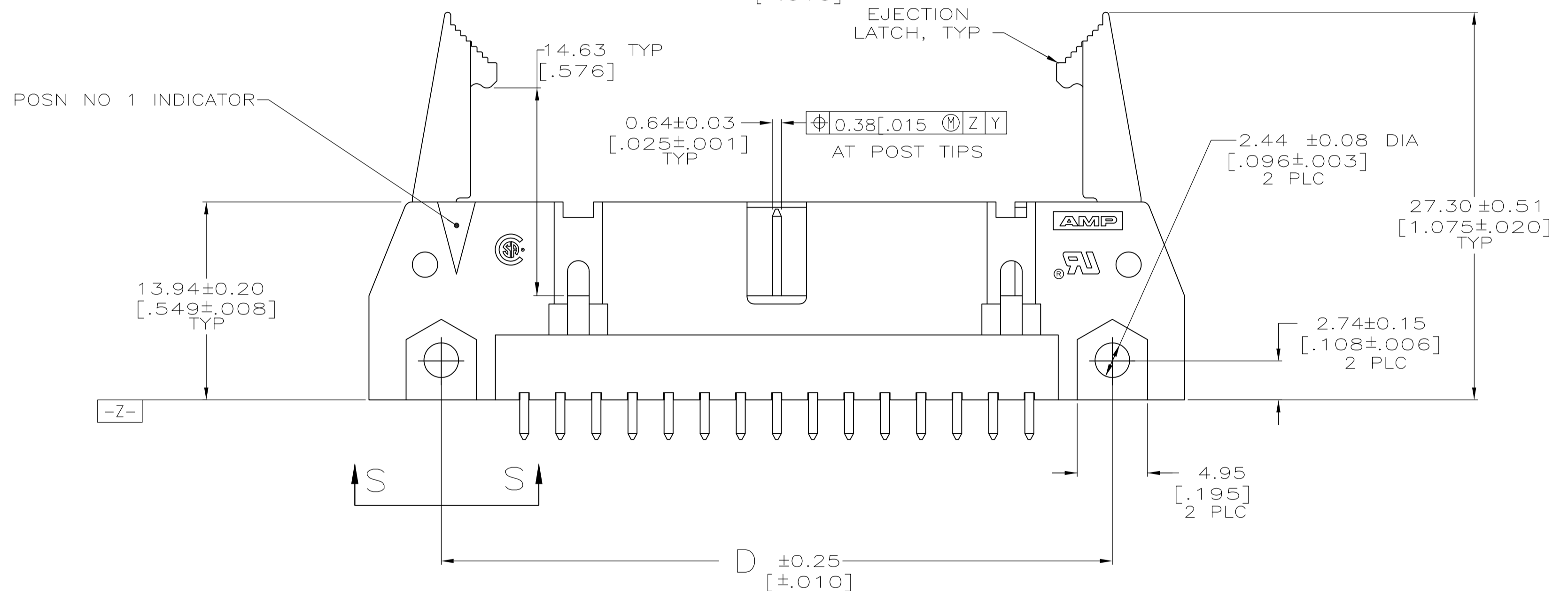


EJECTION LATCHES OMITTED IN THIS VIEW FOR CLARITY



- ① COORDINATE DIMENSION APPLIES FROM BASIC LOCATION.
- ② 10 AND 14 POSITION SIZES CONTAIN ONLY ONE SLOT FOR SNAP-IN POLARIZER (MILITARY POLARIZATION) LOCATED AS SHOWN.
- ③ 10 POSITION SIZES CONTAIN ONLY ONE SLOT FOR DUAL POLARIZATION, LOCATED AS SHOWN.
- 4. RECOMMENDED PRINTED CIRCUIT BOARD THICKNESS IS 1.57 [0.062].
- ⑤ DISTANCE REQUIRED BY EJECTION LATCHES IN THE OPEN POSITION.
- ⑥ POSTS: GOLD FLASH OVER PALLADIUM-NICKEL PLATE, 0.76µm[0.000030] MIN TOTAL ON THE LOCALIZED PLATE AREA, 2.54µm[0.000100] MIN TIN OR TIN-LEAD PLATE ON THE TAIL, 1.27µm[0.000050] MIN NICKEL UNDERPLATE ON THE ENTIRE POST.  
-OR-  
0.76µm[0.000030] MIN GOLD PLATE ON THE LOCALIZED PLATE AREA, 2.54µm[0.000100] MIN TIN OR TIN-LEAD PLATE ON THE TAIL, 1.27µm[0.000050] MIN NICKEL UNDERPLATE ON THE ENTIRE POST.



| OBSOLETE | 53.34   | 71.12   | 65.02   | 75.18   | 71.12   | 60.96   |            |             |
|----------|---------|---------|---------|---------|---------|---------|------------|-------------|
|          | [2.100] | [2.800] | [2.560] | [2.960] | [2.800] | [2.400] | 44         | 1-499206-3  |
|          | 78.74   | 96.52   | 90.42   | 100.58  | 96.52   | 86.36   |            |             |
|          | [3.100] | [3.800] | [3.560] | [3.960] | [3.800] | [3.400] | 64         | 1-499206-2  |
|          | 73.66   | 91.44   | 85.34   | 95.50   | 91.44   | 81.28   |            |             |
|          | [2.900] | [3.600] | [3.360] | [3.760] | [3.600] | [3.200] | 60         | 1-499206-1  |
|          | 60.96   | 78.74   | 72.64   | 82.80   | 78.74   | 68.58   |            |             |
|          | [2.400] | [3.100] | [2.860] | [3.260] | [3.100] | [2.700] | 50         | 1-499206-0  |
|          | 48.26   | 66.04   | 59.94   | 70.10   | 66.04   | 55.88   |            |             |
|          | [1.900] | [2.600] | [2.360] | [2.760] | [2.600] | [2.200] | 40         | 499206-9    |
|          | 40.64   | 58.42   | 52.32   | 62.48   | 58.42   | 48.26   |            |             |
|          | [1.600] | [2.300] | [2.060] | [2.460] | [2.300] | [1.900] | 34         | 499206-8    |
|          | 35.56   | 53.34   | 47.24   | 57.40   | 53.34   | 43.18   |            |             |
|          | [1.400] | [2.100] | [1.860] | [2.260] | [2.100] | [1.700] | 30         | 499206-7    |
|          | 30.48   | 48.26   | 42.16   | 52.32   | 48.26   | 38.10   |            |             |
|          | [1.200] | [1.900] | [1.660] | [2.060] | [1.900] | [1.500] | 26         | 499206-6    |
|          | 27.94   | 45.72   | 39.62   | 49.78   | 45.72   | 35.56   |            |             |
|          | [1.100] | [1.800] | [1.560] | [1.960] | [1.800] | [1.400] | 24         | 499206-5    |
|          | 22.86   | 40.64   | 34.54   | 44.70   | 40.64   | 30.48   |            |             |
|          | [.900]  | [1.600] | [1.360] | [1.760] | [1.600] | [1.200] | 20         | 499206-4    |
|          | 17.78   | 35.56   | 29.46   | 39.62   | 35.56   | 25.40   |            |             |
|          | [.700]  | [1.400] | [1.160] | [1.560] | [1.400] | [1.000] | 16         | 499206-3    |
|          | 15.24   | 33.02   | 26.92   | 37.08   | 33.02   | 22.86   |            |             |
|          | [.600]  | [1.300] | [1.060] | [1.460] | [1.300] | [.900]  | 14         | 499206-2    |
|          | 10.16   | 27.94   | 21.84   | 32.00   | 27.94   | 17.78   |            |             |
|          | [.400]  | [1.100] | [.860]  | [1.260] | [1.100] | [.700]  | 10         | 499206-1    |
|          | F       | E       | D       | C       | B       | A       | NO OF POSN | PART NUMBER |

THIS DRAWING IS A CONTROLLED DOCUMENT.

|                         |  |                     |                           |
|-------------------------|--|---------------------|---------------------------|
| DIMENSIONS: mm [INCHES] | TOLERANCES UNLESS OTHERWISE SPECIFIED: | DIN H. MOLL 4-23-90 | REVISED PER ECO-11-005033 |
| 0 PLC ± -               | 1 PLC ± -                              | 11-28-90            |                           |
| 2 PLC ± -               | 3 PLC ± 0.13[005]                      |                     |                           |
| 4 PLC ± -               | ANGLES ± -                             |                     |                           |

MATERIAL: HOUSING & LATCHES: GLASS FILLED NYLON OR POLYESTER, 44V-0 RATED. POSTS: PHOS BRONZE OR BRASS. FINISH: ⑥

APPROVED: R. STONE 11-29-90

NAME: HEADER ASSY, UNIVERSAL, AMP-LATCH\*

PRODUCT SPEC: 108-40018

APPLICATION SPEC: -

SIZE: A1

WEIGHT: -

CUSTOMER DRAWING

SCALE: 4:1

SHEET: 1 OF 1

REV: H1