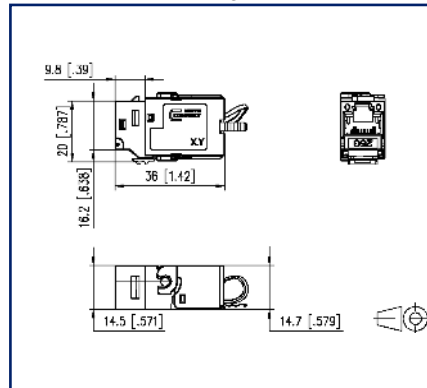


Data sheet 25Gmodul - Keystone

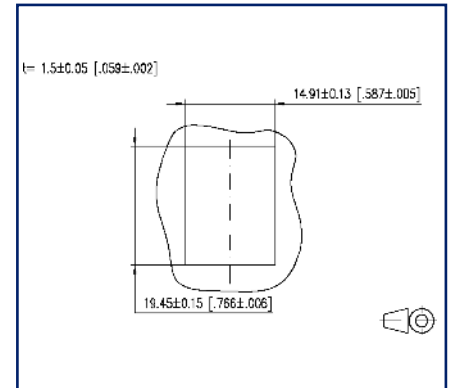
Illustrations



Dimensional drawing



Cut-out



See enlarged drawings at the end of document

Product specification

- certified by GHMT according to ISO/IEC TR-11801-9905 for 25GBASE-T in the Channel-Link with 30 m
- in preparation: ISO/IEC TR-11801-9909 for 25GBASE-T in channel link over 30 m
- completely downward compatible by complying with class E_A according to ISO/IEC 11801-1 and DIN EN 50173-1 (within the permanent link up to 90m, within the permanent link up to 100m)
- RJ45 according to IEC 60603-7-1, 2 mounting versions: module and keystone
- mounting without special tools, low mounting and connection time
- migrating 10G-systems without special tools
- connection of patch- and installations cords is possible for: AWG 26/7 - 22/7 and AWG 26/1 - 22/1
- suitable for 25Gbit/s Ethernet (IEEE 802.3bq) and 10 Gbit/s Ethernet (IEEE 802.3an), Remote Powering (PoE, PoE plus, UPoE and 4PPoE), HDBaseT, SAT-IP and AVoverIP
- solid, reusable module housing refined with zinc die-casting
- intelligent cable management in stuffer caps - also suitable for heavily twisted cables - also easy installation in various applications
- strain relief by latching clip directly on the stuffer cap
- 360°-shield connection
- dust protection cover (optional)

Technical Data

General Data

Fields of application	office areas
Mechanical measurement according to MICE	M1
Ingress measurement according to MICE	I1
Climatic measurement according to MICE	C1
Electromagnetic measurement according to MICE	E2
Design	Jack
Shielding	shielded
Transmission technology	Copper
Wiring	T568A, T568B
Color	metallike
Dimensions	
Dimension (L x W x H)	36 mm x 14.7 mm x 20 mm
Dimension (L x W x H)	1.417 in. x 0.579 in. x 0.787 in.
Modularity	yes
Field assembly ability	yes
Marking option	by latching clip

Transmission characteristics

Class (ISO/IEC)	E _A
Remote Powering	yes
PoE	IEEE 802.3af
PoE plus	IEEE 802.3at
UPoE	yes
4PPoE	IEEE 802.3bt
HDBaseT	yes
Transmission rate up to 10 GBit	IEEE 802.3an
Transmission rate up to 25 GBit (Fast Ethernet)	IEEE 802.3bq



Technical Data

Connections/interfaces

Connector technology interface 1	IDC-connection
Connector technology interface 2	RJ45-jack
Number of ports interface 2	1
Number of ports interface 2 equipped	1
Number of positions/contacts interface 1	8
Number of positions/contacts interface 2	8P/8C
Termination data, solid wire (min. - max.)	
Conductor cross section, solid wire	AWG 26/1 - AWG 22/1
Conductor cross section, solid wire	0.128 mm ² - 0.324 mm ²
Conductor diameter, solid wire (bare copper)	0.409 mm - 0.643 mm
Conductor diameter, solid wire (bare copper)	0.016 in. - 0.025 in.
Termination data, stranded wire (min. - max.)	
Conductor cross section, stranded wire	AWG 26/7 - AWG 22/7
Conductor cross section, stranded wire	0.141 mm ² - 0.355 mm ²
Conductor diameter, stranded wire (bare copper)	0.483 mm - 0.762 mm
Conductor diameter, stranded wire (bare copper)	0.019 in. - 0.03 in.
Cable access/outlet	180°

Electrical characteristics

Current carrying capacity	max. 1 A
Rated voltage	max. 50 V
Contact resistance	max. 20 mOhm
Through resistance	max. 200 mOhm
Insulation resistance	min. 500 MOhm
Dielectric strength conductor-conductor (secondary)	max. 1000 V DC

Mechanical data

Cut-out	Keystone
Mounting method	snap-in function
Insertion and withdrawal force	max. 30 N
Position/mounting of latch standard installation position	bottom
strain relief	latching clip



P | Cabling

Data sheet 25Gmodul - Keystone

Page 4/8

P/N
130B21-25-E
EAN 4251394607405
2023/05/30
Version: H

Technical Data

Materials and material properties

Material - Housing	GD-Zn (zinc die-cast)
Material - Contact	Spring steel
Material - Contact finish	Au (gold)
Material - Shield	GD-Zn (zinc die-cast)
Material - Stuffer cap	PA 6.6 UL94 V0
Material - Strain relief	PA 6.6 UL94 V0
Halogen free	yes
Material - Finish	Ni (nickel)
RoHS	compliant

Environmental conditions

Rapid change of temperature	-40°C / -40°F - +70°C / 158°F / 25 cycles t=30 min
-----------------------------	--

Certifications

GHMT Type Approval		2 Connector Permanent Link, Class EA 2 Connector Channel Link, 30 m Class 1 up to 1,25 GHz
--------------------	---	--

Approvals

UL listed (file no.)		DUXR.E178484
----------------------	--	--------------

Standards/Regulations

Generic cabling systems	
General requirements	ANSI/TIA-568-C
Office buildings	ISO/IEC 11801 Ed.2.2: 2011-06 DIN EN 50173-2 ANSI/TIA-568-C
Living units	ISO/IEC 15018 DIN EN 50173-4 ANSI/TIA-570-B
Connectors for electronic equipment - Tests and measurements	
Test standard for connectors (engaging and separating connectors under electrical load)	DIN-EN 60512-99-001, DIN-EN 60512-99-002
Endurance tests	IEC 60512-9-3: 03-2009

P | Cabling

Data sheet 25Gmodul - Keystone

Page 5/8

P/N
130B21-25-E
EAN 4251394607405
2023/05/30
Version: H

Technical Data

Standards/Regulations

Interference proof

Immunity for industrial environments	DIN EN 61000-6-2:2006-03
--------------------------------------	--------------------------

Emission proof

Electromagnetic emission for residential, commercial and light-industrial environments	DIN EN 61000-6-3:2011-09
--	--------------------------

Climate tests	IEC 60512-11
---------------	--------------

Classifications

ETIM 7.0	EC001121
----------	----------

ETIM 8.0	EC001121
----------	----------

ETIM 9.0	EC001121
----------	----------

Packing details

Type of packaging	10 pc(s) / box
-------------------	----------------



Accessories from

P/N	Designation
130861-0202KE	Keystone surface mount housing 2 port pure white, unequipped
130861-0302KE	Keystone surface mount housing 3 port pure white, unequipped
130861-0402KE	Keystone surface mount housing 4 port pure white, unequipped
130861-0602KE	Keystone surface mount housing 6 port pure white, unequipped
130861-0802KE	Keystone surface mount housing 8 port pure white, unequipped
130861-0802KE85	AP Patchfeld unbestückt für 8xRJ45 RAL 9010 Keystone AP-Geh 8 Port ZATEC
130861-1202KE	Keystone surface mount housing 12 port pure white, unequipped
130861-1602KE	Keystone surface mount housing 16 port pure white, unequipped
130861-2402KE	Keystone surface mount housing 2x12 port pure white, unequipped
130910D1APLKE	Extension box 1 Port E-DAT Modul Keystone
130910D2APLKE	Extension box 2 port E-DAT modul Keystone
130920-00KE	Keystone 19 inch module frame 1RU 24 port light gray unequipped, shielded
130920-BKKE	Keystone 19 inch module frame 1RU 24 port black unequipped, shielded
130926-0029KE	Keystone 19 inch module frame 1RU 24 port black unequipped, shielded
130926A0003KE	Keystone 19 inch module frame 1RU 24 port angeled grey unequipped, shielded
130926A0029KE	Keystone 19 inch module frame 1RU 24 port angeled black unequipped, shielded
130926AA029KE	Keystone 19 inch module frame 1RU 24 ports 133° angled, black, unequipped, shielded
130927-1200KE	SmartConnect Patchpanel 12 port Keystone, unequipped
1309428103-E	Keystone REGplus IP20 light gray unequipped
1309A0D1APLKE	Extension box 1 port E-DAT adapter
1309A0D2APLKE	Extension box 2 port E-DAT adapter
130B20E2E-E	Keystone module frame 3RU, 7HP 6 port stainless steel unequipped
130B21D1APL-E	Extension box 1 Port C6 _A modul Keystone
130B21D2APL-E	Extension box 2 port C6 _A modul Keystone
130D2CKU4-E	DCCS2 subassembly 4 port unequipped - Keystone
14040000-E	MCO IP69k protective housing for outdoor use, set for exposed installation
14040010-E	MCO IP69k Protective housing for outdoor use, set with mounting bracket

P | Cabling

Data sheet 25Gmodul - Keystone

Page 7/8

P/N

130B21-25-E

EAN 4251394607405

2023/05/30

Version: H

Accessories from

14040100-E

MCO IP69k Protective housing for outdoor use,
set wall/ housing bushing

P | Cabling

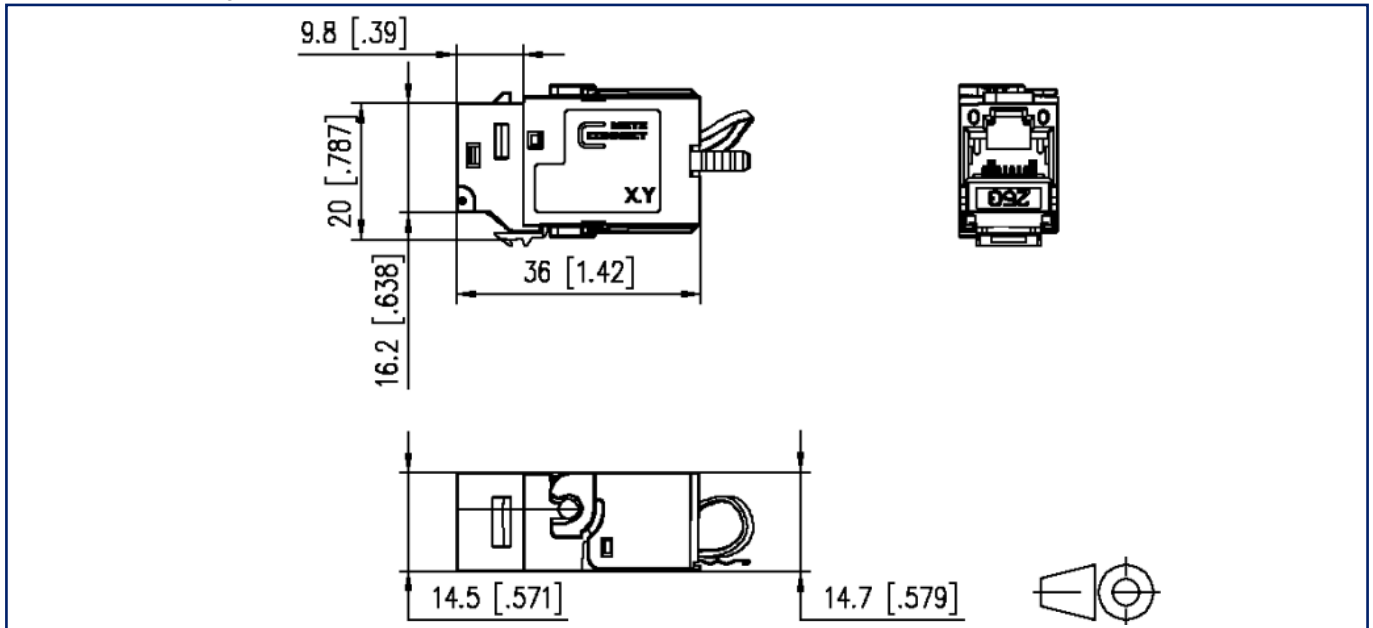
Data sheet 25Gmodul - Keystone

Page 8/8

P/N
130B21-25-E
EAN 4251394607405
2023/05/30
Version: H

Illustrations

Dimensional drawing



Cut-out

