



# Pontiac Coil

2110 Queensway Searcy, AR 72143

Phone 501-268-6877 Website: www.pontiaccoil.com

## Model L-20 DC Solenoid Open Frame, Pull Type

**Pontiac Coil - Arkansas is an ISO 9001:2000 Certified Company**

\*Resistance values are  $\pm 10\%$  at 25°C

Model Code	Part No.	Voltage	Duty Cycle	Power (W)	Resistance ( $\Omega$ )*	Current (A)
L-20PL012D-C	F0421A	12VDC	Continuous	6.4	22.5	0.6
L-20PL012D-I	F0422A	12VDC	Intermittent	12.5	11.5	1.1
L-20PL024D-C	F0423A	24VDC	Continuous	6.4	90.0	0.3
L-20PL024D-I	F0424A	24VDC	Intermittent	12.5	46.0	0.6

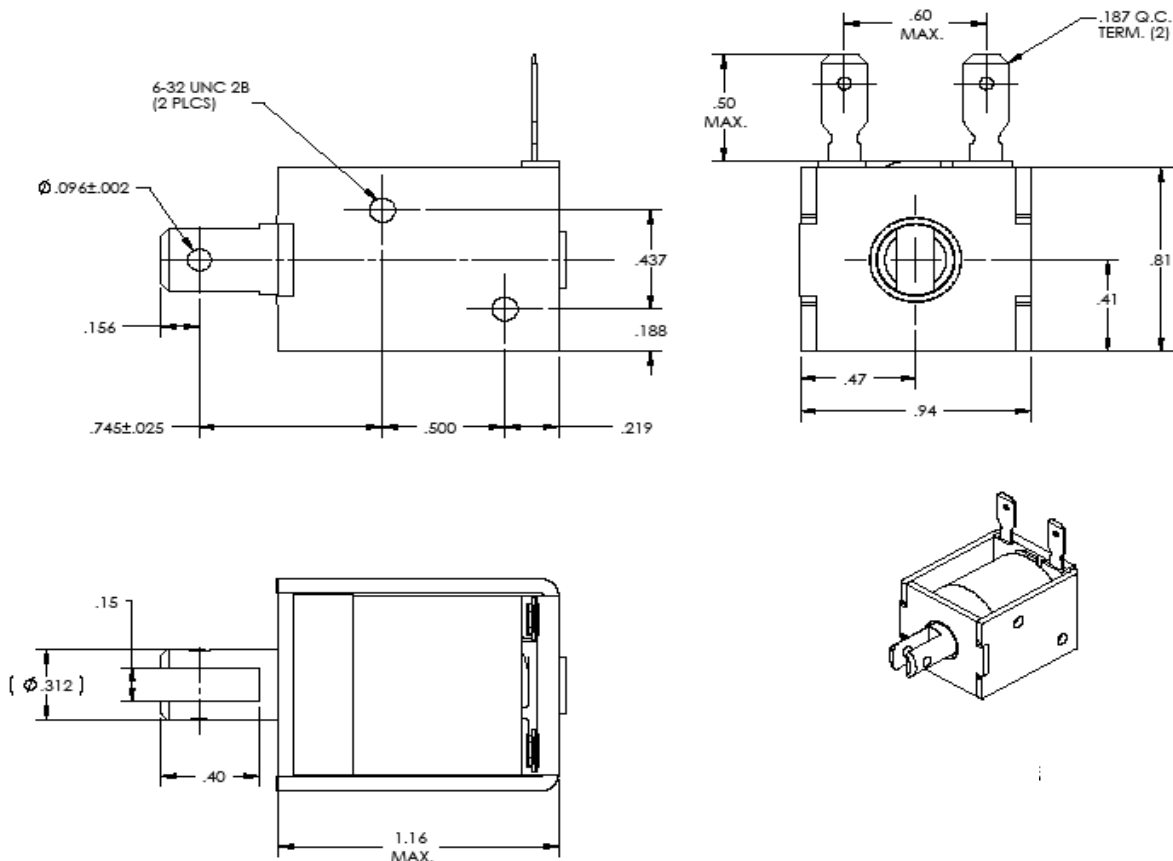
Definition of Duty Cycles:

**Continuous** = indefinite activation; **Intermittent** = 1 minute ON and 3 minutes OFF; **Pulse** = 100 msec. ON and 900 msec. OFF

**Special order options: 6 to 48 Volts DC or AC; push-type configuration. Consult factory for other modifications.**

Stroke (in.):	Sealed	1/16	1/8	1/4	3/8	1/2
Cont. Duty force	80 oz.	22 oz.	9 oz.	4 oz.	2.3 oz.	1.5 oz.
Int. Duty force	82 oz.	34 oz.	21 oz.	8 oz.	4 oz.	2 oz.

Typical force values when operated at 100% rated voltage at 25°C. Derating required for lower voltage and higher temperature.



Solenoid shown energized, with plunger seated

**Insulation Materials: UL Construction, Class B 130°C**

**Copper magnet wire insulation rated 155°C (class F)**

**Voltage Breakdown Strength: 1500 VAC RMS**

**Life Expectancy: 10 million operations**