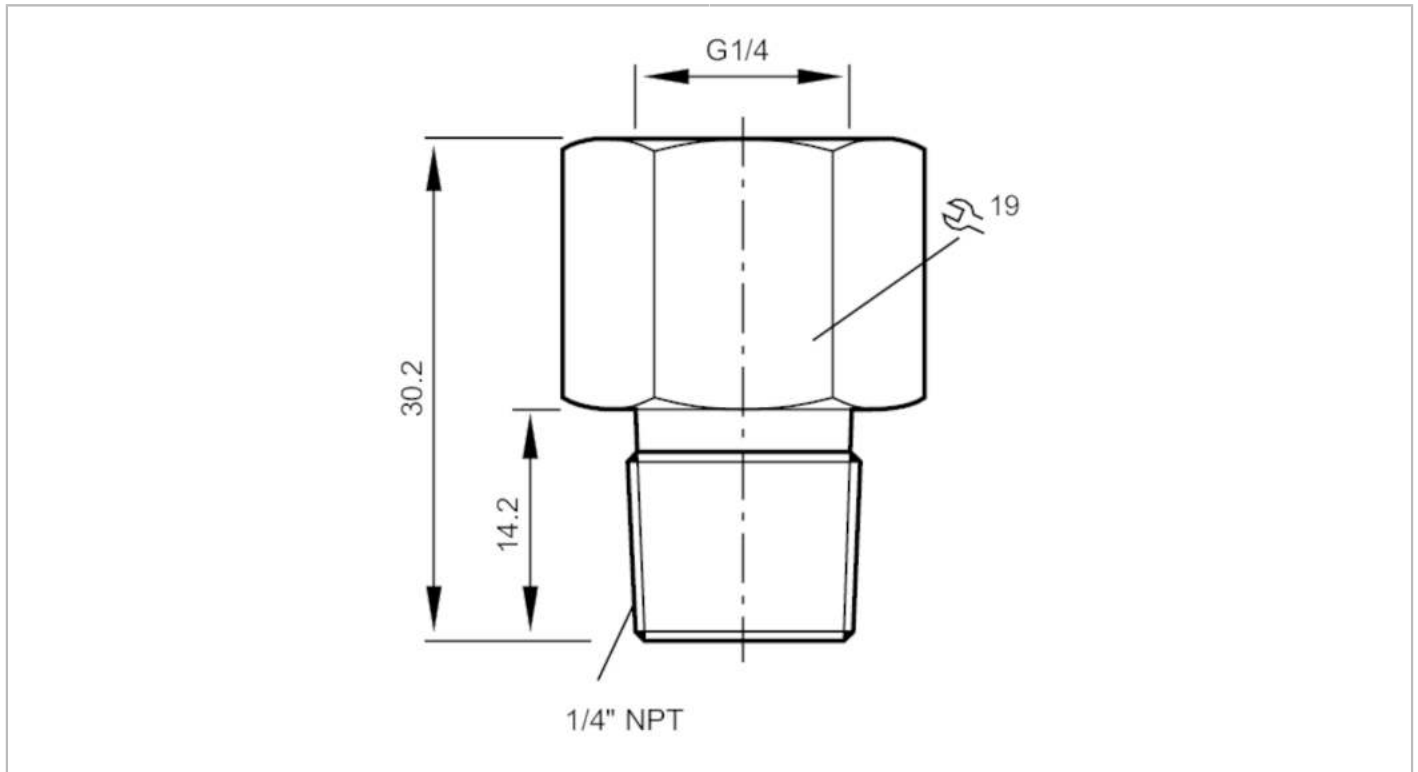


# US0059



## Mounting adapter for flow sensors

Mounting adapters for SM4000, 1/4" NPT



Mechanical data	
Weight [g]	150
Material	Adapter: stainless steel (1.4401 / 316)
Remarks	
Pack quantity	2 pcs.