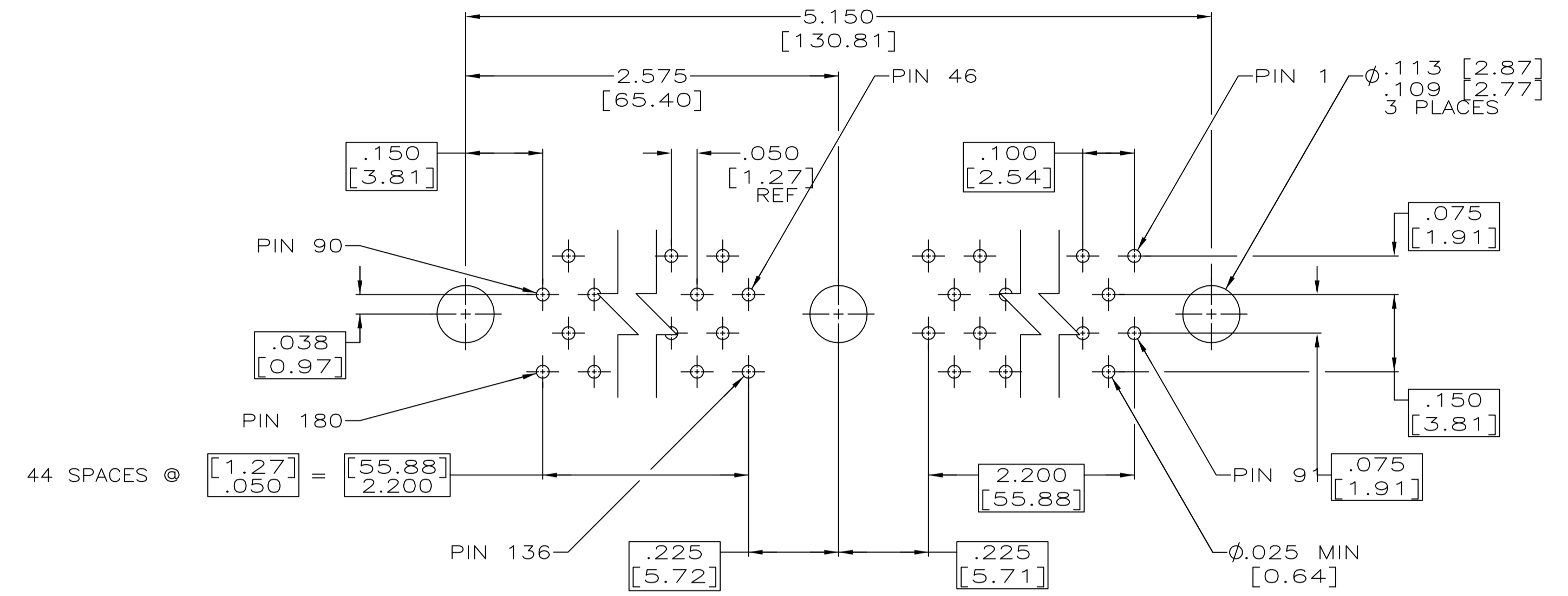
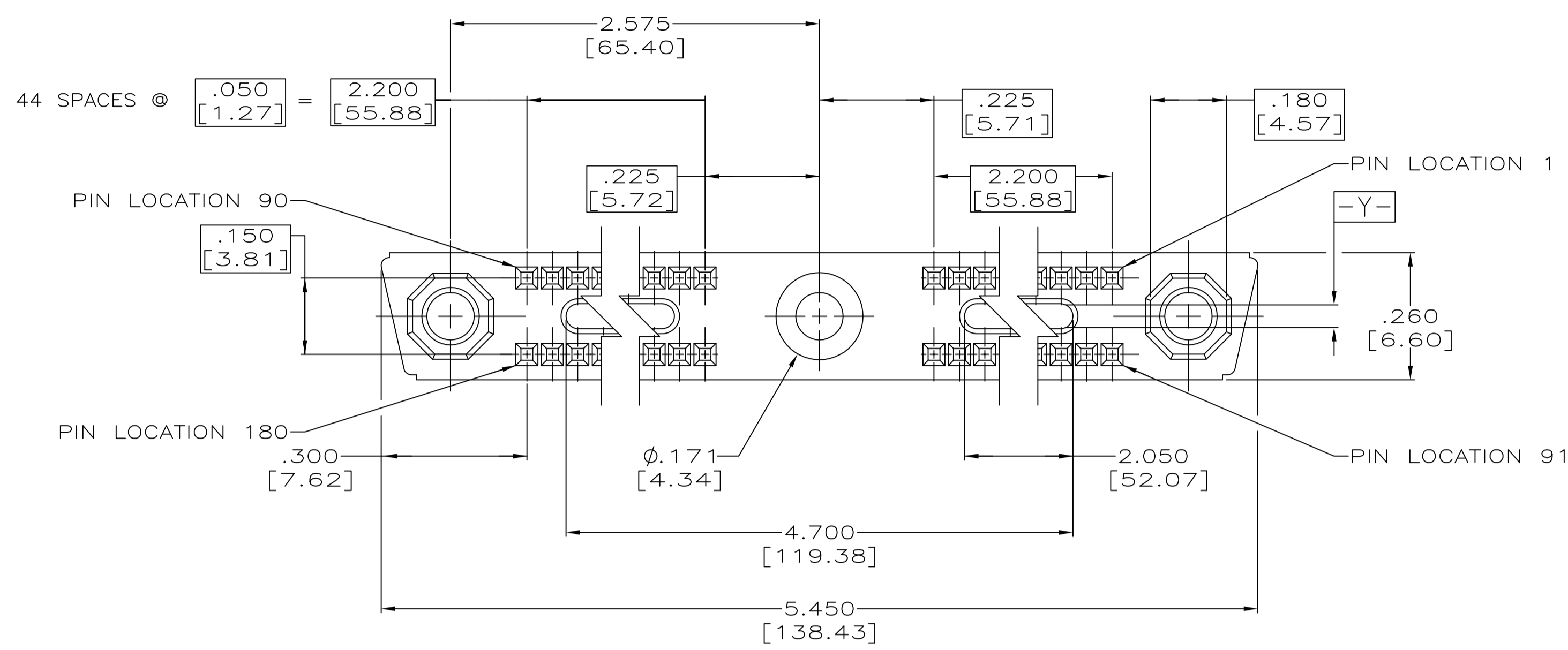
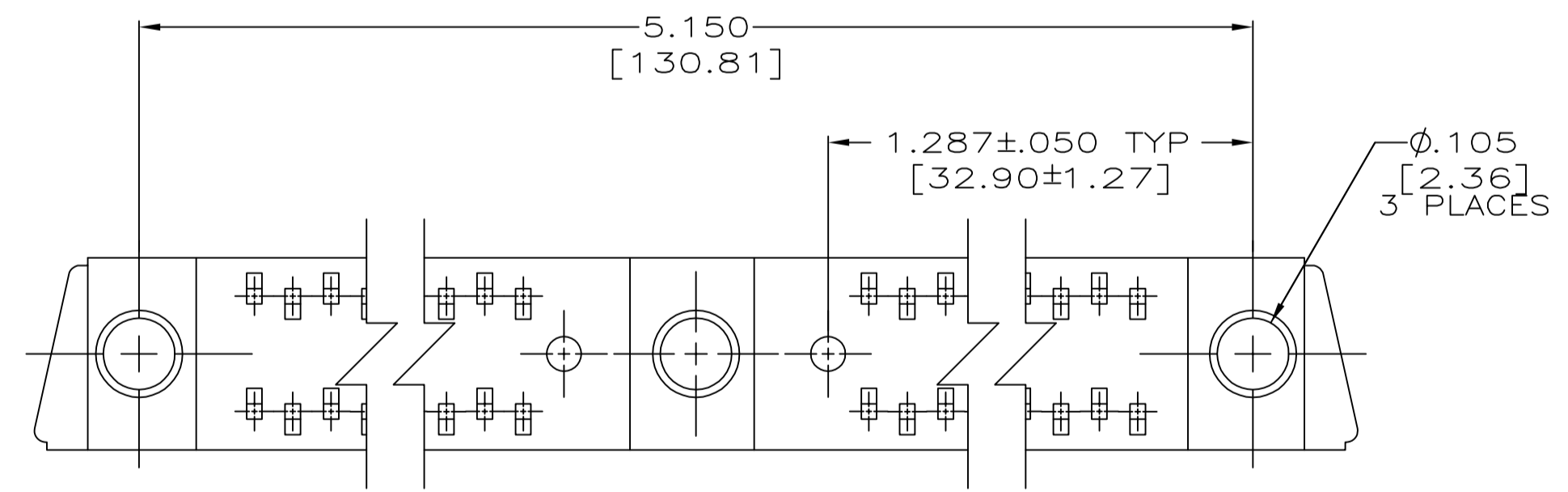
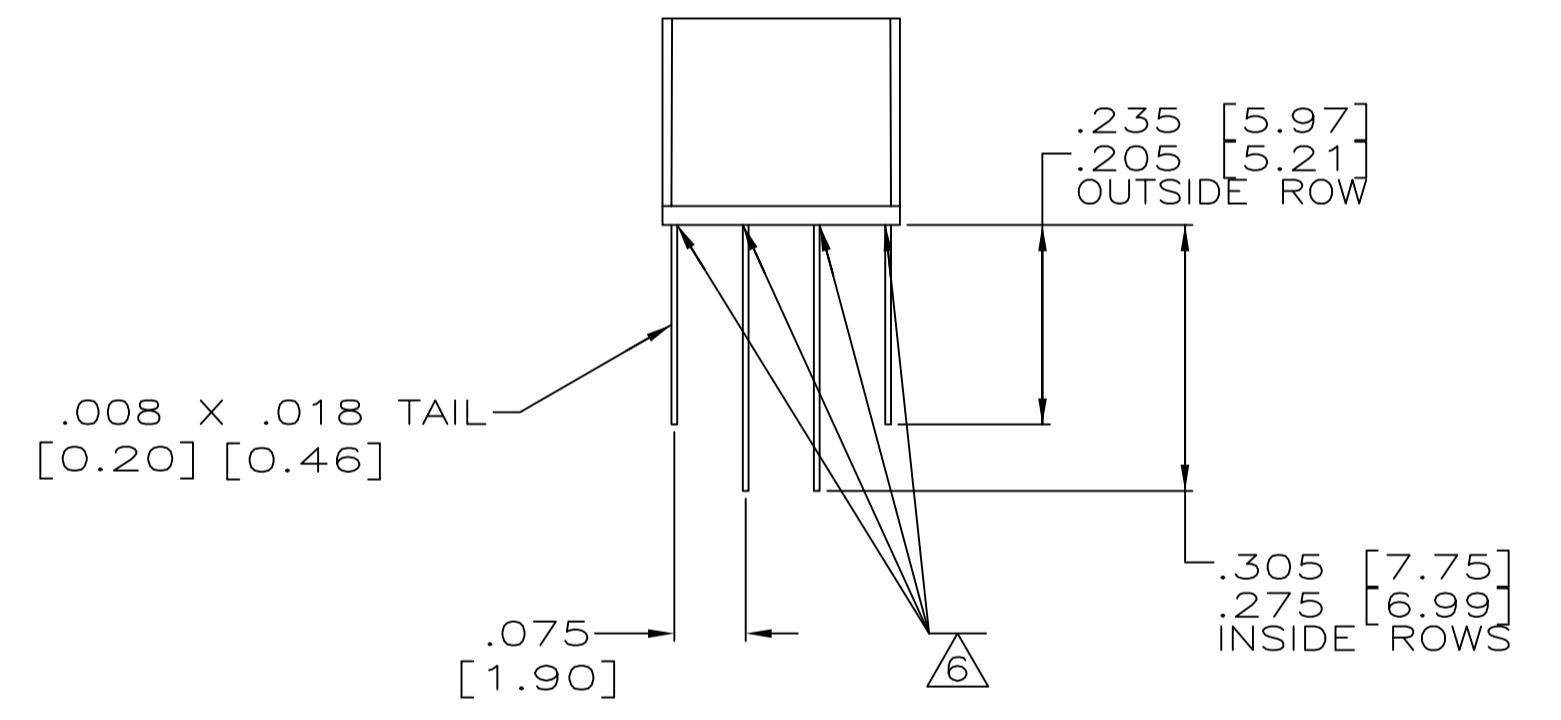
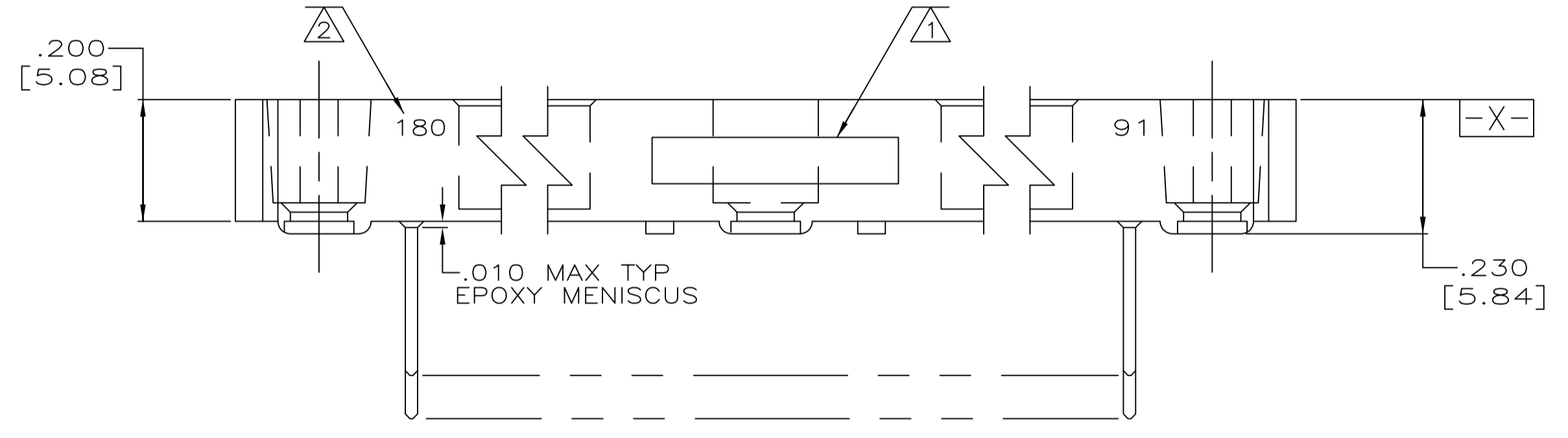


REVISIONS					
P	LTR	DESCRIPTION	DATE	OWN	APVD
G		REVISED PER ECO-16-017894	27APR2017	PHM	CT



RECOMMENDED P. C. BOARD LAYOUT



- ① AMP, AMP PART NO., DATE CODE AND CUSTOMER PART NO. (859779-1) MARKED THIS APPROX. AREA, THIS SIDE.
- ② NUMBERS INDICATING END POSITIONS MARKED THIS SIDE ONLY.
- ③ MEETS ALL APPLICABLE REQUIREMENTS OF MIL-C-55302.
- ④ .000050 GOLD ALL OVER NICKEL UNDERPLATE IN CONTACT AREA, GOLD FLASH OVER NICKEL UNDERPLATE REMAINDER OF CONTACT.
- ⑤ HOUSING MATERIAL: LIQUID CRYSTAL POLYMER PER MIL-M-24519, GLCP-30F; COLOR: GRAY.
- ⑥ EPOXY IS ADDED TO BOTTOM OF HOUSING FOR CONTACT RETENTION.

180 & 91	446447-1
CAVITY IDENT	PART NO

THIS DRAWING IS A CONTROLLED DOCUMENT.		OWN T. SHUEY 7-27-89	NAME										
DIMENSIONS: INCHES(mm)		CHK D. STONER 7-29-89	RECEPTACLE ASSEMBLY, EXTENDED MINI BOX, REVERSE CIRCUIT ID, W/LOW FORCE CONTACTS										
TOLERANCES UNLESS OTHERWISE SPECIFIED:		APVD D. STONER 7-29-89	PRODUCT SPEC										
<table border="1"> <tr><td>0 PLC</td><td>± -</td></tr> <tr><td>1 PLC</td><td>± -</td></tr> <tr><td>2 PLC</td><td>± -</td></tr> <tr><td>3 PLC</td><td>± .010 [0.25]</td></tr> <tr><td>4 PLC</td><td>± -</td></tr> </table>		0 PLC	± -	1 PLC	± -	2 PLC	± -	3 PLC	± .010 [0.25]	4 PLC	± -	APPLICATION SPEC	SIZE A1
0 PLC	± -												
1 PLC	± -												
2 PLC	± -												
3 PLC	± .010 [0.25]												
4 PLC	± -												
MATERIAL: - Δ		FINISH: - Δ	WEIGHT C=446447										
CUSTOMER DRAWING		SCALE: 5:1	SHEET 1 OF 1 REV G										