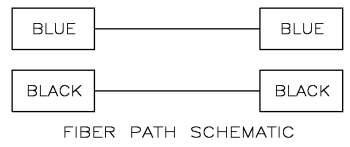
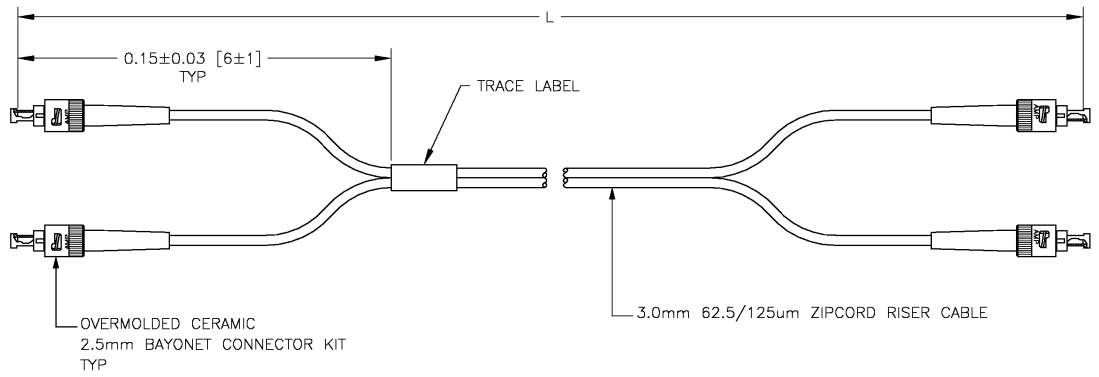


THIS DRAWING IS UNPUBLISHED. RELEASED FOR PUBLICATION
 COPYRIGHT BY TYCO ELECTRONICS CORPORATION. ALL RIGHTS RESERVED.

LOC	DIST	REVISIONS			
#	LTR	DESCRIPTION	DATE	OWN	APP'D
CE	16	N	REVISE PER 0A40-0408-03	28OCT03	JWD JD

1. 0.8 dB MAX INSERTION LOSS.



50.0±0.50 [1969.0±20.00]	5-503995-0
30.0±0.30 [1181.0±12.00]	3-503995-0
20.0±0.30 [787.0±12.00]	2-503995-1
4.00±0.08 [157.5±3.00]	2-503995-0
18.29±0.30 [720.00±12.00]	1-503995-9
14±0.15 [551±6]	1-503995-8
13±0.15 [512±6]	1-503995-7
11±0.15 [433±6]	1-503995-6
15.24±0.30 [600±12]	1-503995-5
12.19±0.15 [480±6]	1-503995-4
7.92±0.15 [312±6]	1-503995-3
6.10±0.08 [240.0±3.0]	1-503995-2
3.66±0.08 [144.0±3.0]	1-503995-1
1.22±0.05 [48.0±2.0]	1-503995-0
0.91±0.05 [36.0±2.0]	503995-9
0.61±0.03 [24.0±1.0]	503995-8
0.30±0.03 [12.0±1.0]	503995-7
7.5±0.08 [295±3]	503995-6
10±0.15 [394±6]	503995-5
5±0.08 [197±3]	503995-4
3±0.05 [118±2]	503995-3
2±0.05 [79±2]	503995-2
1±0.05 [39±2]	503995-1
L	PART NUMBER

THIS DRAWING IS A CONTROLLED DOCUMENT.		28APR99	Tyco Electronics Corporation Harrisburg Pa. 17105-3608	
DIMENSIONS: METERS [INCHES]		DRW S. LURICH	AMP	
TOLERANCES UNLESS OTHERWISE SPECIFIED:		CHK R. PAUL	19MAY95	
0 PLC ± -	APVD L. MILLER	19MAY95		NAME CABLE ASSY, FIBER OPTIC, 62.5/125um ZIP RISER, OVERMOLDED CERAMIC 2.5mm BAYONET, OPTIMATE
1 PLC ± -	PRODUCT SPEC	APPLICATION SPEC		SIZE A2
2 PLC ± -	APPLICATION SPEC	GAGE CODE 00779		DRWING NO 503995
3 PLC ± -	FINISH	WEIGHT		RESTRICTED TO
4 PLC ± -	MATERIAL	CUSTOMER DRAWING		SCALE 1:1
ANGLES ± -		SHEET 1 OF 1		REV N