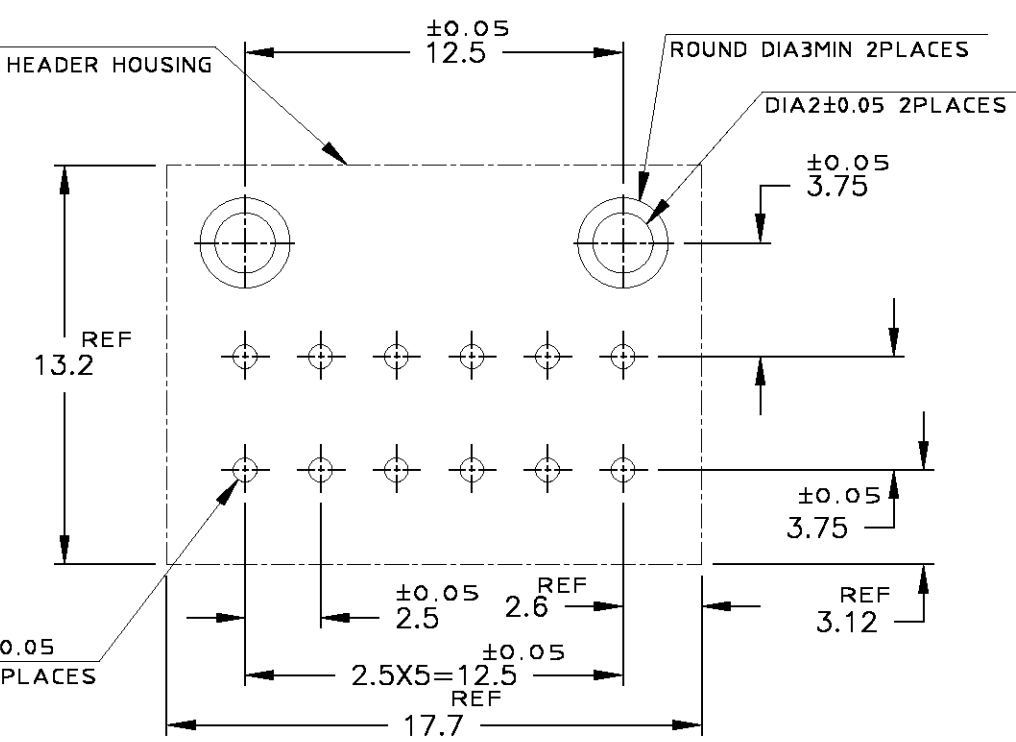
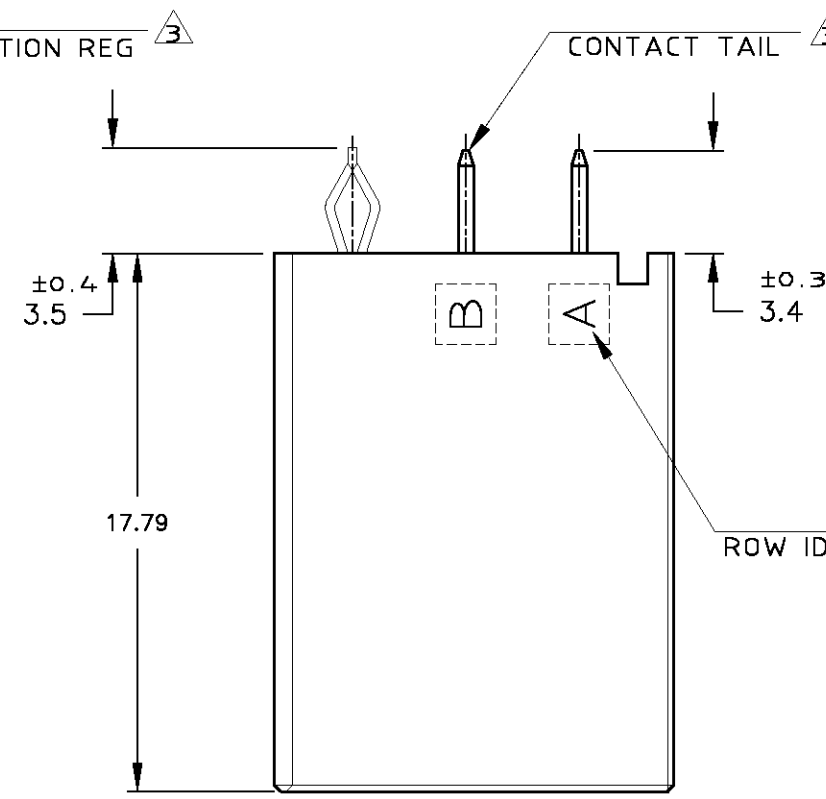
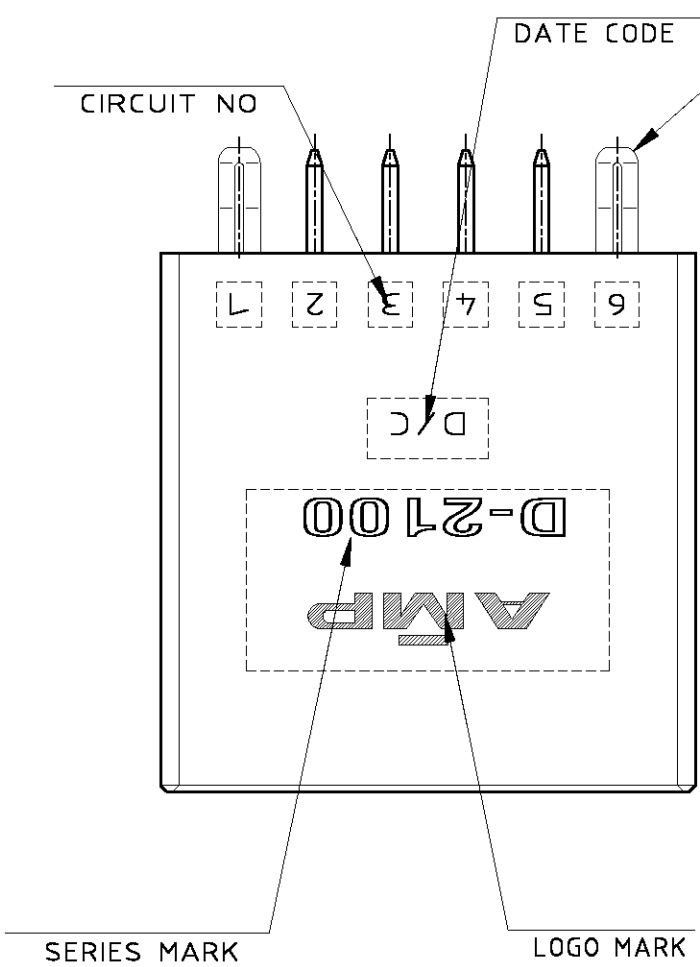
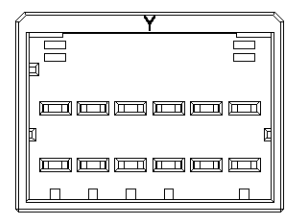


LOC	DIST	REVISIONS					
J		P	LTR	DESCRIPTION	DATE	DWN	APVD
			D	REVISED	25APR11	MM	NY

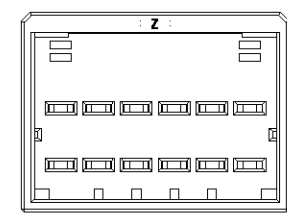
1318126-1/-2/-3 : AS SHOWN  
 9-1318126-2



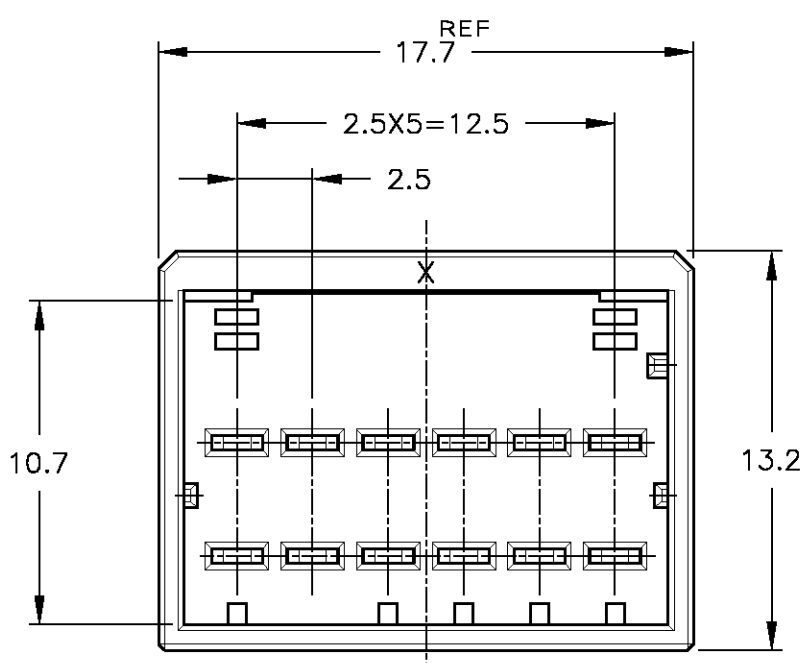
RECOMENDED PC BOARD HOLE PATTERN(TOL:±0.05)  
 PC BOARD THICKNESS:1.6±0.3  
 (CONNECTOR MOUNT SIDE)



9-1318126-2  
 1318126-2  
 (KEYING Y)  
 SCALE:2-1



1318126-3  
 (KEYING Z)  
 SCALE:2-1



1318126-1  
 (KEYING X)

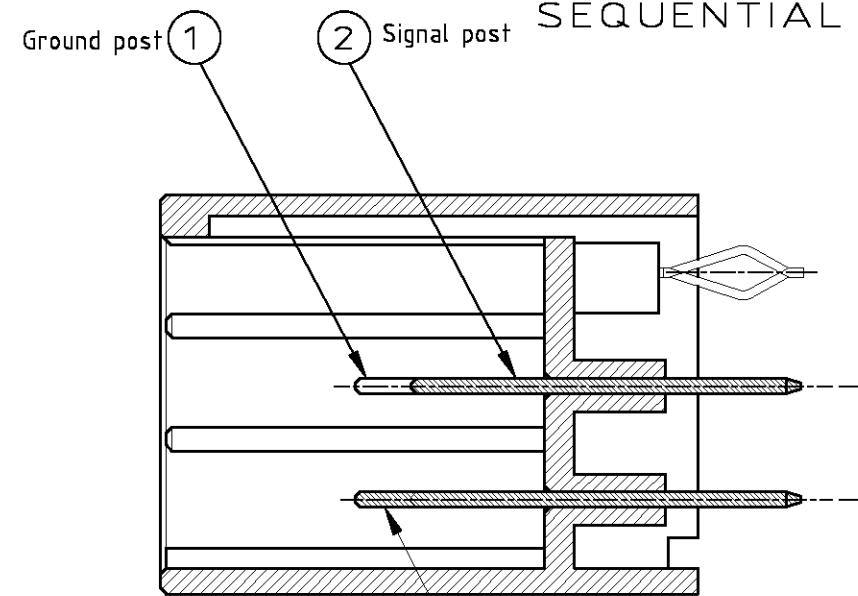
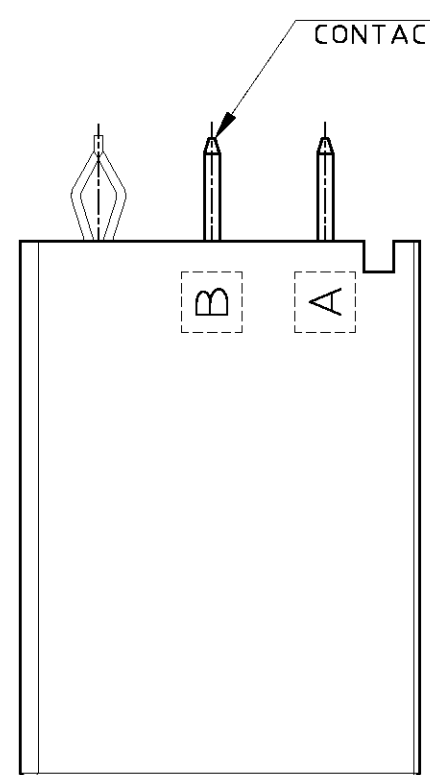
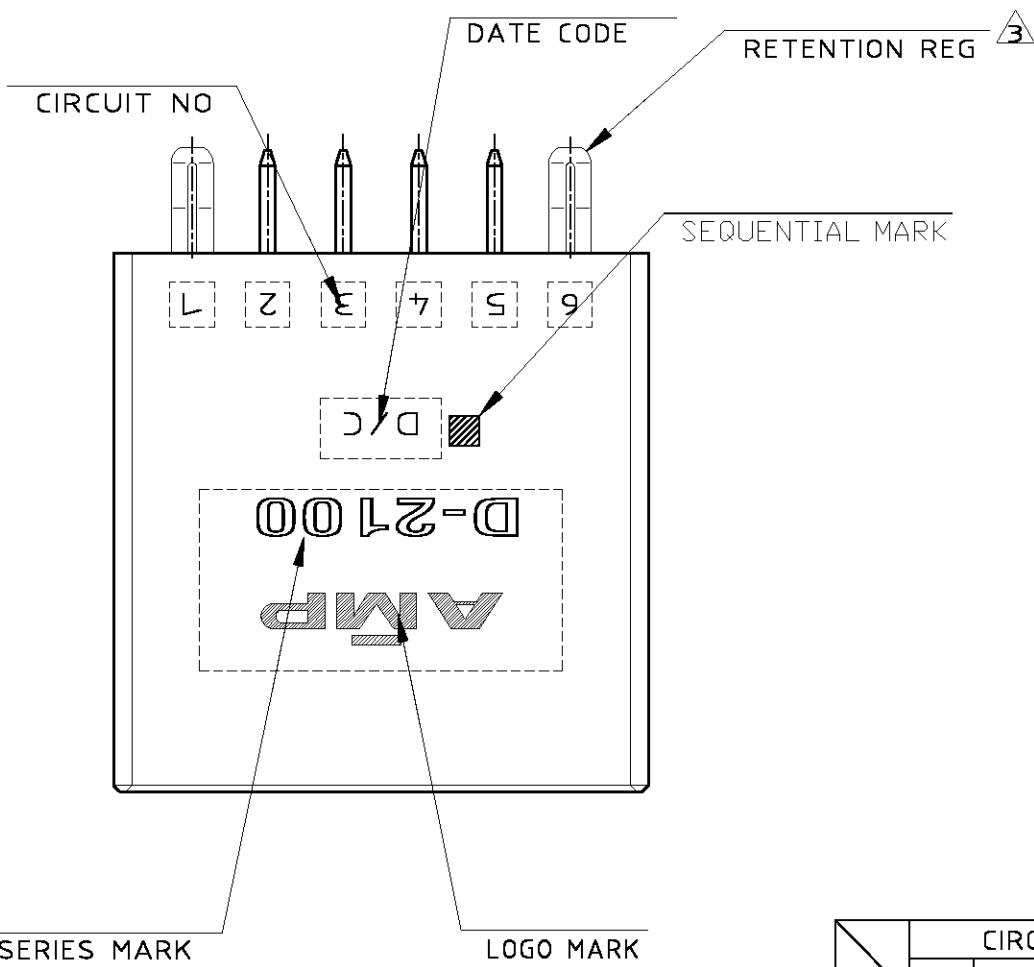
- NOTES
- MATERIAL:HOUSING:GLASS FILED THERMO PLASTIC ,POLYESTER(94V-0), COLOR: 1318126-1/-2/-3 : BLACK 9-1318126-2 : NATURAL  
 TAB CONTACT:COPPER ALLOY  
 RETENTION LEG:BRASS
  - FINISH(CONTACT AREA):0.38μmMIN GOLD PLATING OVER NI PLATING
  - FINISH(RETENTION LEG): TIN PLATED (CONTACT TAIL) OVER NICKEL

Y	BLACK	SEQUENTIAL SHEET2	1-1318126-2
X	BLACK	SEQUENTIAL SHEET2	1-1318126-1
Z	BLACK	NORMAL	1318126-3
Y	NATURAL	NORMAL	9-1318126-2
Y	BLACK	NORMAL	1318126-2
X	BLACK	NORMAL	1318126-1
KEY	COLOR	TYPE	PART NO

DIMENSIONS: mm		TOLERANCES UNLESS OTHERWISE SPECIFIED: 100 ±0.3 300 >10 : ±0.35 1000 >30 : ±0.4 ANGLE : ±3'		DWN K.IKEDA 7/DEC/'98 CHK N.MATSUBARA 7/DEC/'98 APVD I.HASEGAWA 7/DEC/'98 PRODUCT SPEC 108-5619 APPLICATION SPEC 114-5258 WEIGHT		TE Connectivity DOUBLE ROW HEADER ASS'Y 12P ("V"TYPE) <DYNAMIC D-2100D>	
MATERIAL SEE NOTES		FINISH SEE NOTES		SIZE A3	CAGE CODE 00779	DRAWING NO C-1318126	RESTRICTED TO -
CUSTOMER DRAWING				SCALE 4-1	SHEET 1 OF 2	REV D	

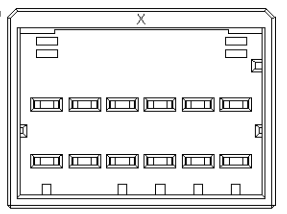
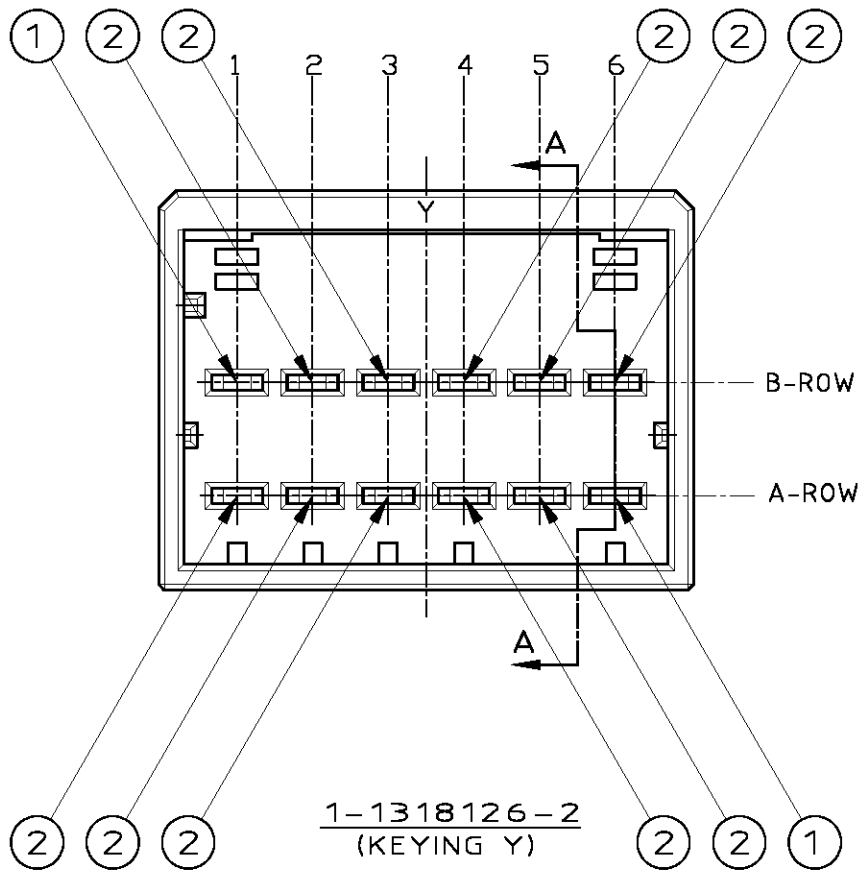
P	LTR	DESCRIPTION	ECN	DATE	DWN	APVD
		SEE SHEET 1				

1-1318126-1,2;AS SHOWN SEQUENTIAL TYPE



		CIRCUIT NO					
		1	2	3	4	5	6
R O W	B	①	②	②	②	②	②
	A	②	②	②	②	②	①

POINT OF SEQUENTIAL  
1-1318126-1,2



1-1318126-1 (KEYING X) SCALE:2-1

NOTES

- 1. MATERIAL:HOUSING:GLASS FILED THERMO PLASTIC ,POLYESTER(94V-0),COLOR:BLACK  
TAB CONTACT:COPPER ALLOY  
RETENTION LEG:BRASS
- 2. FINISH(CONTACT AREA):0.38μmMIN GOLD PLATING OVER Ni PLATING
- 3. FINISH(RETENTION LEG): TIN PLATED (CONTACT TAIL) OVER NICKEL

DIMENSIONS: mm		TOLERANCES UNLESS OTHERWISE SPECIFIED 100 μm : ±0.3 300 μm : ±0.35 1000 μm : ±0.4 ANGLE : ±3°		DWN K.IKEDA 7/DEC/'98 CHK N.MATSUBARA 7/DEC/'98 APVD I.HASEGAWA 7/DEC/'98 PRODUCT SPEC 108-5619 APPLICATION SPEC 114-5258 WEIGHT T1		TE Connectivity <b>DOUBLE ROW HEADER ASS'Y 12P ("V"TYPE)</b> <b>&lt;DYNAMIC D-2100D&gt;</b>		RESTRICTED TO
MATERIAL SEE NOTES		FINISH SEE NOTES		CUSTOMER DRAWING		SIZE A3	CAGE CODE 00779	DRAWING NO. C-1318126
						SCALE 4-1		SHEET 2 OF 2