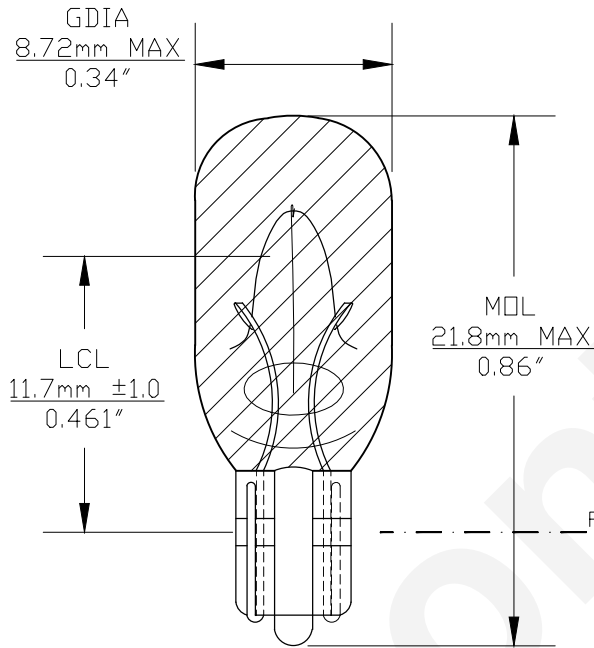


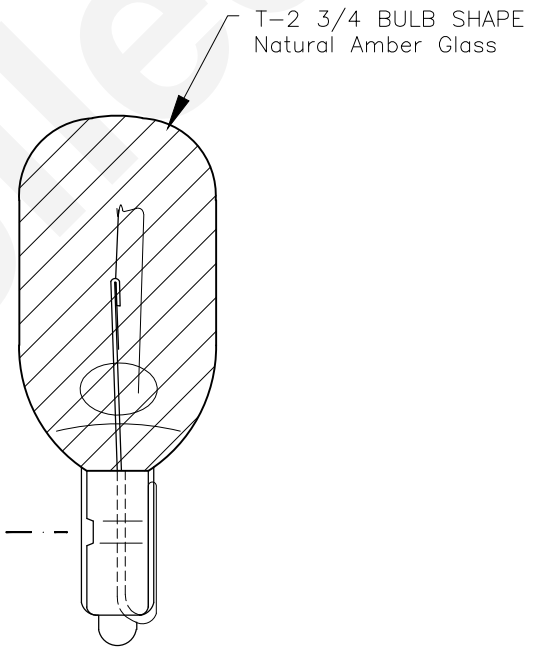


Since 1959

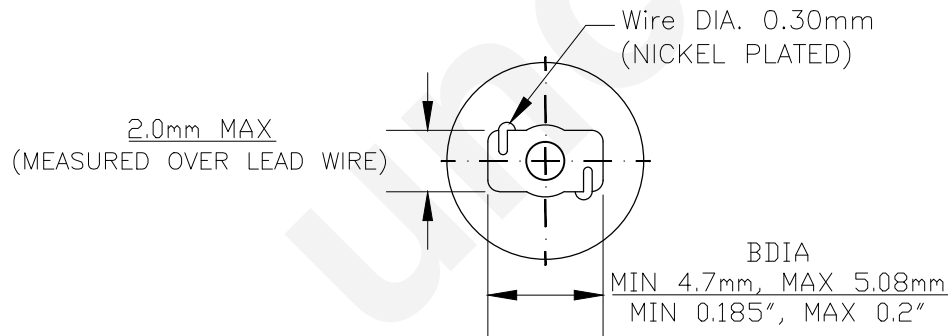
PART NO.	BASE TYPE	DESIGN VOLTS	DESIGN AMPS	MSCD	FILAMENT TYPE	AVERAGE LIFE HOURS	REVISIONS			
							REV #	DESCRIPTION	DATE	APPROVED
24NA	Glass Wedge	14.0V	0.24±10%	1.5±30%	C-2V	1500	1	ISSUED	06/24/2014	R.M.
							2	REVISED BASE DIMENSION	02/14/2017	R.M.



0° VIEW



90° VIEW



BASE BOTTOM VIEW

Note: Made according to SAE specifications



UNLESS OTHERWISE SPECIFIED: DIMENSIONS ARE IN INCHES TOLERANCES		CEC INDUSTRIES LTD			
DECIMALS	ANGULAR	599 BOND STREET		LINCOLNSHIRE, IL 60069	
.XX ± .05	± 0.5°	TITLE LIGHT BULB NO. 24NA			
.XXX ± .010		SIZE A	FSCM NO.	DWG NO. 24NA	REV 2
FRACTIONAL	± 1/64	SCALE		PLOT SCALE	SHEET 1 OF 1
DRAWN ROSE MEDINA		DATE 06/24/2014		MATERIAL	
CHECKED		FILE 24NA.pdf		DRAWING NOT TO SCALE	