

60650-1 ✓ ACTIVE

FASTON 250

TE Internal #: 60650-1

TE Internal Description: 250 FASTON FLAG REC 18-14 AWG BR

[View on TE.com >](#)



Product Compliance

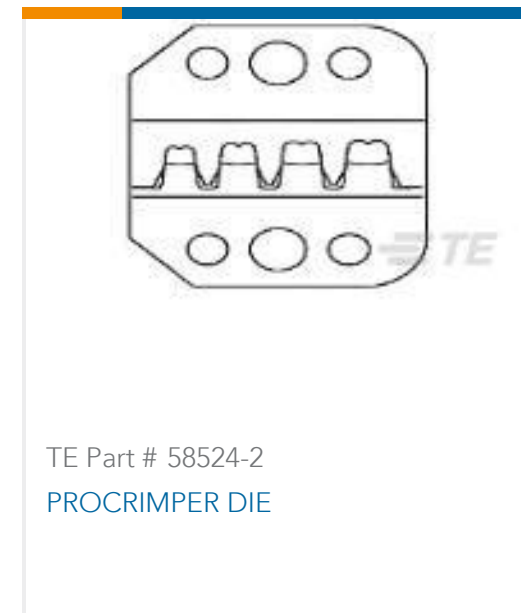
[For compliance documentation, visit the product page on TE.com>](#)

EU RoHS Directive 2011/65/EU	Compliant
EU ELV Directive 2000/53/EC	Not Yet Reviewed
China RoHS 2 Directive MIIT Order No 32, 2016	No Restricted Materials Above Threshold
EU REACH Regulation (EC) No. 1907/2006	Current ECHA Candidate List: JUNE 2023 (235) Candidate List Declared Against: JAN 2021 (211) Does not contain REACH SVHC
Halogen Content	Low Halogen - Br, Cl, F, I < 900 ppm per homogenous material. Also BFR/CFR/PVC Free
Solder Process Capability	Not applicable for solder process capability

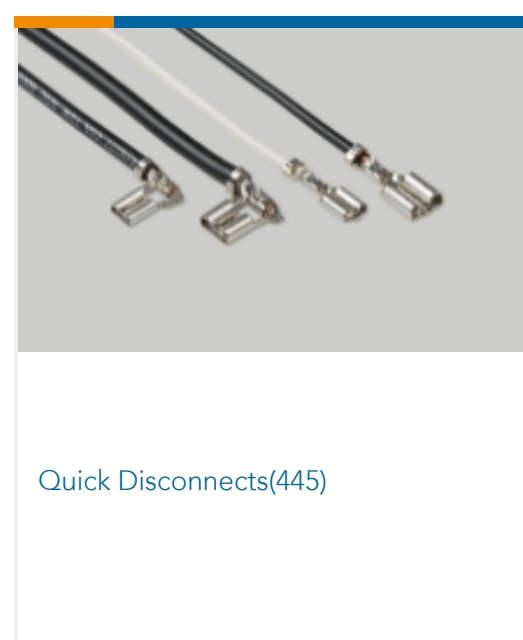
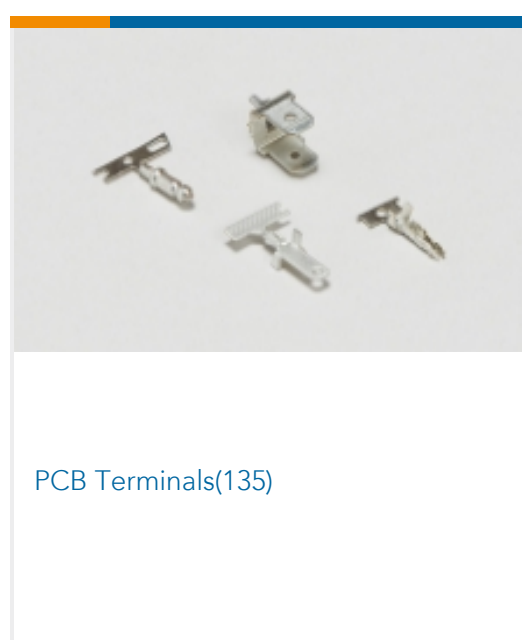
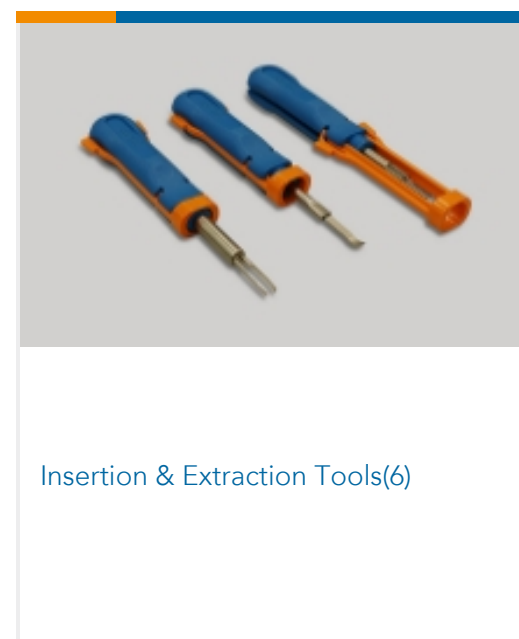
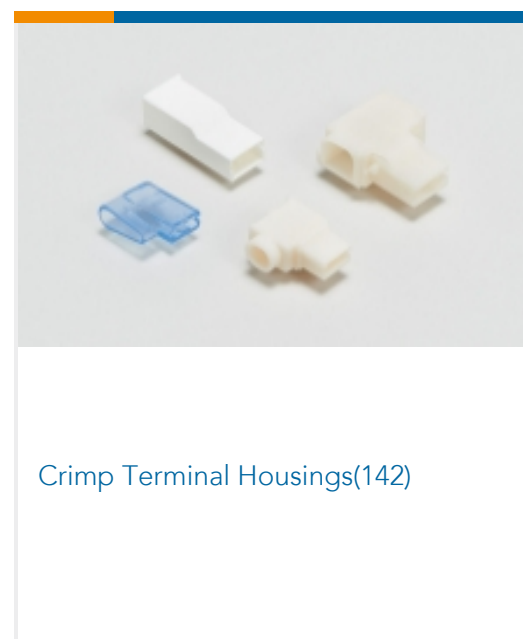
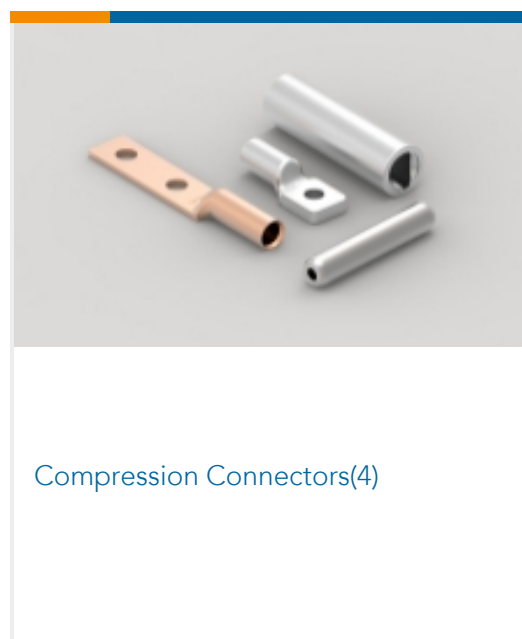
Product Compliance Disclaimer

This information is provided based on reasonable inquiry of our suppliers and represents our current actual knowledge based on the information they provided. This information is subject to change. The part numbers that TE has identified as EU RoHS compliant have a maximum concentration of 0.1% by weight in homogenous materials for lead, hexavalent chromium, mercury, PBB, PBDE, DBP, BBP, DEHP, DIBP, and 0.01% for cadmium, or qualify for an exemption to these limits as defined in the Annexes of Directive 2011/65/EU (RoHS2). Finished electrical and electronic equipment products will be CE marked as required by Directive 2011/65/EU. Components may not be CE marked. Additionally, the part numbers that TE has identified as EU ELV compliant have a maximum concentration of 0.1% by weight in homogenous materials for lead, hexavalent chromium, and mercury, and 0.01% for cadmium, or qualify for an exemption to these limits as defined in the Annexes of Directive 2000/53/EC (ELV). Regarding the REACH Regulation, the information TE provides on SVHC in articles for this part number is based on the latest European Chemicals Agency (ECHA) 'Guidance on requirements for substances in articles' posted at this URL: <https://echa.europa.eu/guidance-documents/guidance-on-reach>

Compatible Parts



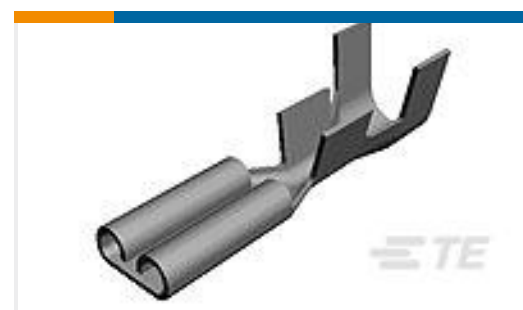
Also in the Series | **FASTON 250**



Customers Also Bought



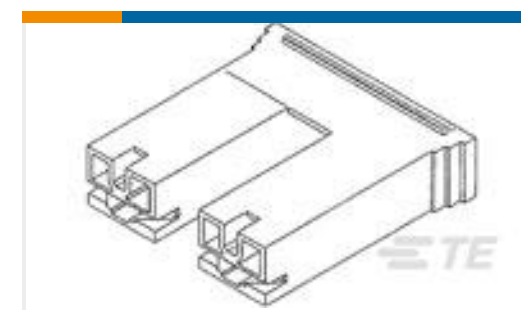
TE Part #521367-2
ULTRA-POD 250 ASSY REC 18-14
AWG TPBR



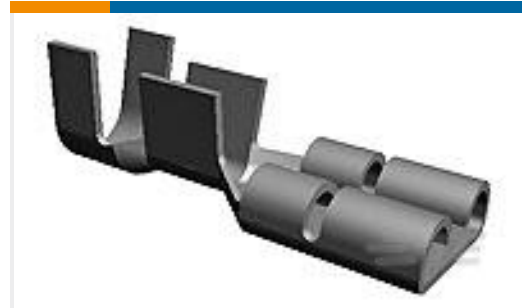
TE Part #41727
250 FASTON REC 16-12 AWG BR



TE Part #1-1969442-4
EP 2.5 TPA Housing, 14 Pos



TE Part #1-520935-2
PL 250 HOUSING REC RED 6/6
NYLON V2



TE Part #63757-1
250 FASTON REC 16-12 AWG BR



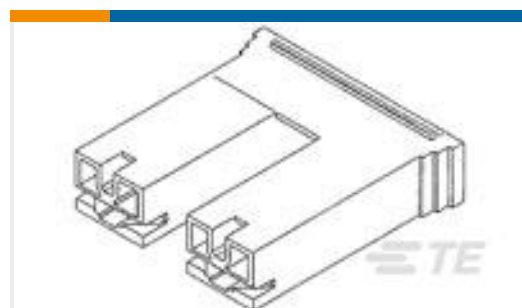
TE Part #63445-4
250 FASTON FLAG REC 18-12 AWG
TPBR



TE Part #521282-2
ULTRA-POD 250 ASSY REC 18-14
AWG TPBR



TE Part #62011-1
250 FASTON FLAG REC 12-10 AWG
BR



TE Part #520935-1
PLMKII&FASTON 250 REC HSG 2P
NAT



TE Part #60635-3
250 FASTON REC 14-10 AWG BR

Documents

Product Drawings

[250 FASTON FLAG REC 18-14 AWG BR](#)

English

CAD Files

Customer View Model

[ENG_CVM_CVM_60650-1_N.2d_dxf.zip](#)

English

3D PDF

3D

Customer View Model

[ENG_CVM_CVM_60650-1_N.3d_igs.zip](#)

English

Customer View Model

[ENG_CVM_CVM_60650-1_N.3d_stp.zip](#)

English

By downloading the CAD file I accept and agree to the [Terms and Conditions](#) of use.

Datasheets & Catalog Pages



82004 FASTON Terminals (Insulated and Uninsulated) Catalog - FASTON Receptacles Section

English

Product Specifications

Application Specification

English

Product Environmental Compliance

TE Material Declaration

English