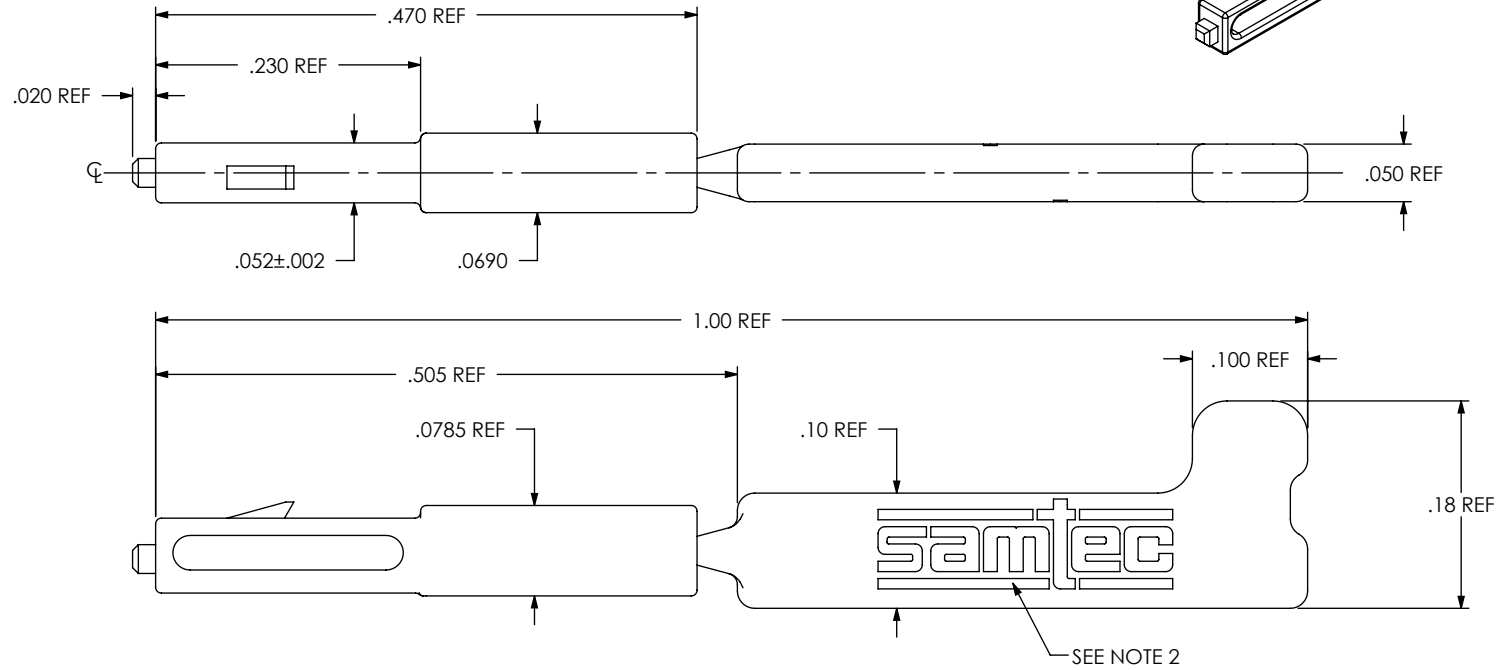
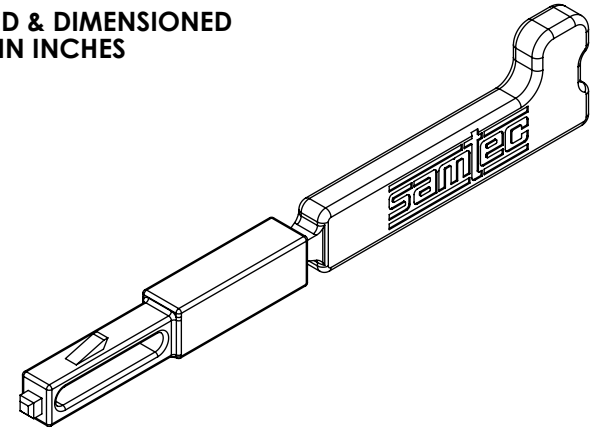


DESIGNED & DIMENSIONED
IN INCHES

DO NOT
SCALE FROM
THIS PRINT



UNLESS OTHERWISE SPECIFIED,
DIMENSIONS ARE IN INCHES.
TOLERANCES ARE:
DECIMALS ANGLES
.XX: ±.01 2°
.XXX: ±.003
.XXXX: ±.0015

PROPRIETARY NOTE
THIS DOCUMENT CONTAINS INFORMATION
CONFIDENTIAL AND PROPRIETARY TO
SAMTEC, INC. AND SHALL NOT BE REPRODUCED
OR TRANSFERRED TO OTHER DOCUMENTS OR
DISCLOSED TO OTHERS OR USED FOR ANY
PURPOSE OTHER THAN THAT WHICH IT WAS
OBTAINED WITHOUT THE EXPRESSED WRITTEN
CONSENT OF SAMTEC, INC.



520 PARK EAST BLVD., NEW ALBANY, IN 47150
PHONE: 812-944-6733 FAX: 812-948-5047
e-Mail info@SAMTEC.com code 55322

MATERIAL: DO NOT SCALE DRAWING SHEET SCALE: 6:1
VECTRA E130i, COLOR: BLACK
MAX REGRIND: 100%
MAX FLASH ALLOWED: .002
MAX GATE VESTIGE: .010
c:\enterprise\aut\DWG\MISC\MKTG\PK-79-MKT.SLDDRW

DESCRIPTION:
IPD1 POLARIZING PLUG
DWG. NO. PK-79
BY: ROY LUO 06/26/2014 SHEET 1 OF 1