

DIMENSIONS IN INCHES (MILLIMETERS)
DO NOT SCALE DRAWING

Dwg. No.

GPS-126-0002

P.C. LAYOUT

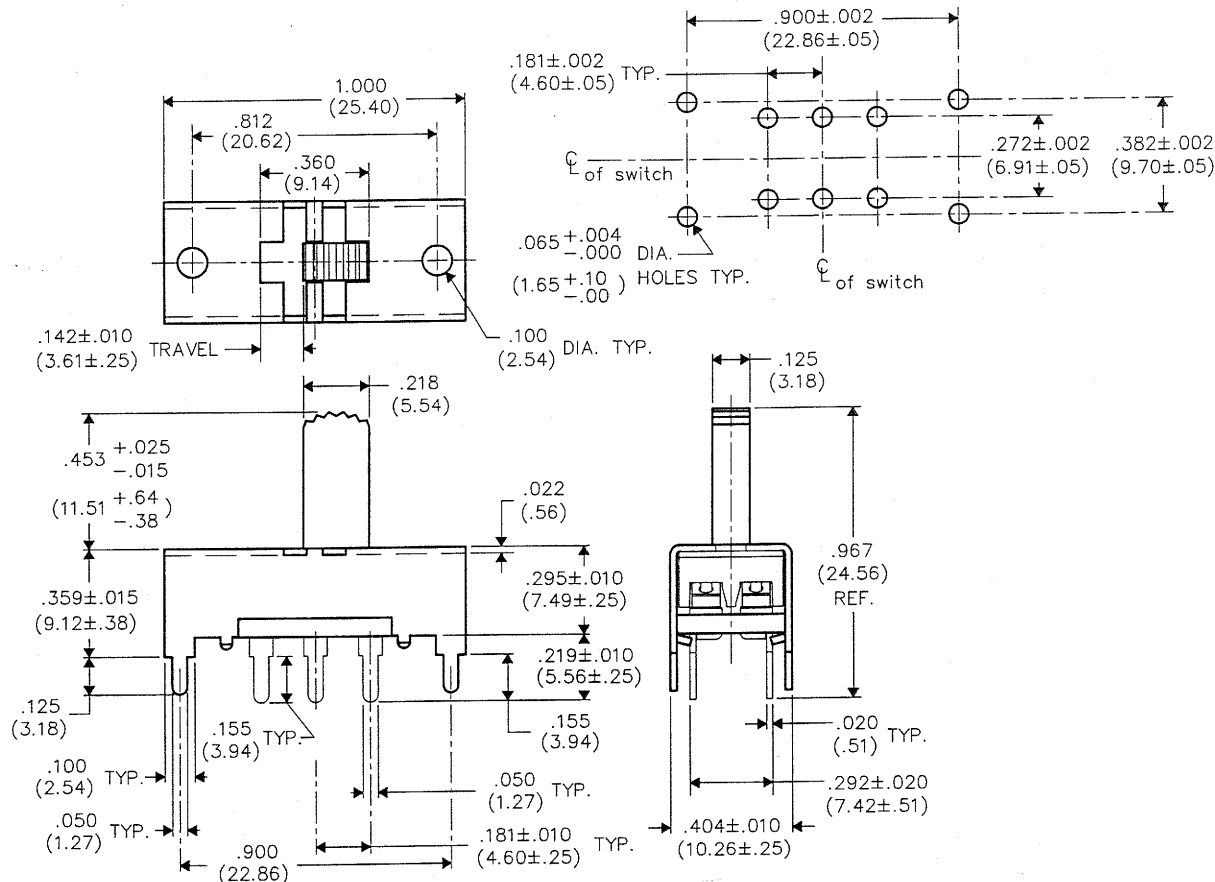
E

D

C

B

A



1 2 3 4 5 6 7 8 9 10

B-FORMAT 2002
REVISIONS
0
RELEASED: 6-13-2006
DGW
4/24/06

CW INDUSTRIES
Southampton, Pa. 18966

TOLERANCES UNLESS OTHERWISE SPECIFIED
2 Place Decimal ±.010 METRIC
3 Place Decimal ±.005 1 Place Dec. ±.25mm
Angles ±1' 2 Place Dec. ±.13mm

Title: MINI SWITCH ASSEMBLY
D.P.- D.T.

Made for: CW IND.

Division: SWITCH

Drawn by: DGW 6-13-2006

Dwg. No.

Checked by: G. Gold 7-24-06

GPS-126-0002

Approval: *[Signature]* 7-24-06