

10

9

8

7

5

4

3

2

79576

MATERIAL #	APPLICATION	AWG	LENGTH(M)	TOL(+/-)	PIN OUT
79576-3000	IPASS ON BP	30	0.152	0.015	PIN OUT 1
79576-3001	IPASS ON BP	30	0.3	0.015	PIN OUT 1
79576-3002	IPASS ON BP	30	0.5	0.015	PIN OUT 1
79576-3006	IPASS ON BP	30	0.6	0.015	PIN OUT 1
79576-3007	IPASS ON BP	28	1	0.030	PIN OUT 1
79576-3008	IPASS ON CTRL	30	0.152	0.015	PIN OUT 2
79576-3009	IPASS ON CTRL	30	0.3	0.015	PIN OUT 2
79576-3003	IPASS ON CTRL	30	0.5	0.015	PIN OUT 2
79576-3004	IPASS ON CTRL	30	0.6	0.015	PIN OUT 2
79576-3005	IPASS ON CTRL	28	1	0.030	PIN OUT 2
79576-3010	IPASS ON CTRL	28	0.178	0.015	PIN OUT 2
79576-3011	IPASS ON CTRL	28	0.267	0.015	PIN OUT 2
79576-3012	IPASS ON BP	30	0.2	0.015	PIN OUT 1

NOTES:

1. MATERIAL:

OVER MOLD - POLYBUTYLENE TEREPHTHALATE (PBT), 94-V0,
GLASS FILLED 30%.

LATCH - STAINLESS STEEL ALLOY.

CABLE -

SIGNALS PVC INSULATION

SOLID COPPER SIGNAL AND DRAIN.

INNER DIELECTRIC IS POLYOLEFIN

TWIN-AX SHIELD IS ALUMINIZED POLYESTER FOIL.

PCB - FR4

2. PRODUCT TO PERFORM PER

PRODUCT SPECIFICATION: PS-79536-001.

3. PRODUCT SERIES 74562 MATES TO 75783 (RIGHT ANGLE),
75784 (VERTICAL).4. THIS PRODUCT CONFORMS TO THE MECHANICAL
DIMENSIONING AND ELECTRICAL PERFORMANCE
REQUIREMENTS OF SFF-8086 AND SFF-8087.

5. MINIMUM RECOMMENDED BEND RADIUS 28 MM.

6. PIN OUT CONFORMS TO SAS 1.1 9.00

SECTION 5.2.4.1.3.3 F83

7. PRODUCT IS RoHS COMPLIANT.

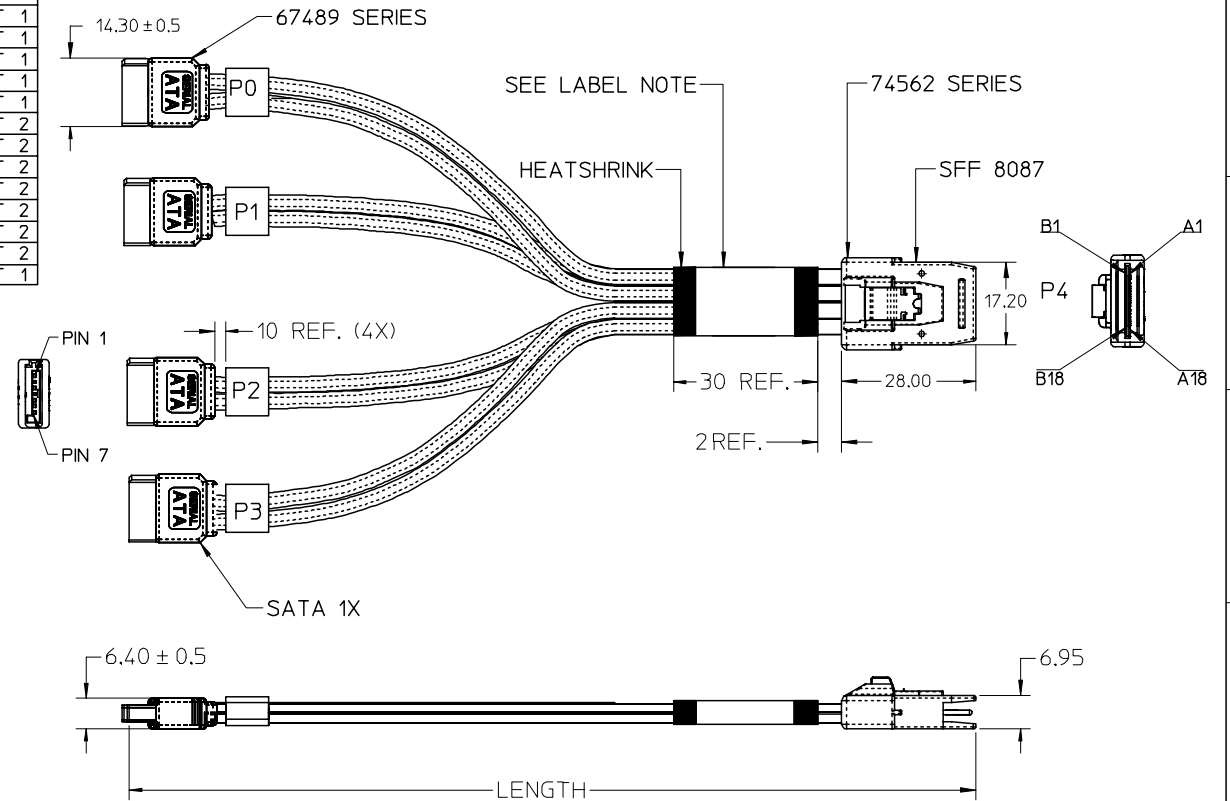
8. LABEL DETAIL:

MOLEX

79576-30XX

MADE IN CHINA

YY/WW



MOLEX
79576-30XX
MADE IN CHINA
YY/WW

IPASS™ IS A TRADEMARK OF MOLEX

ENTER DESCRIPTION EC NO: USY2007-0360 DRWN: SNAVARRO 2007/03/27 CHKD: PSYTSWA 2007/03/28 APPR: DDOYE 2007/03/28	QUALITY SYMBOLS ▽=0 ▽=0	GENERAL TOLERANCES (UNLESS SPECIFIED)		DIMENSION STYLE MM/IN		SCALE 1:1	DESIGN UNITS METRIC	THIRD ANGLE PROJECTION		
		mm	INCH	DRAWN BY JERWIN	DATE 2005/11/21	TITLE IPASS CABLE ASSY 36 CKT TO SATA FANOUT CABLE				
		4 PLACES	± ---	± ---	CHECKED BY THALL	DATE 2005/11/21	MOLEX INCORPORATED			
		3 PLACES	± ---	± .01	APPROVED BY DDOYE	DATE 2005/11/21				
		2 PLACES	± 0.25	± ---	MATERIAL NO. SEE CHART		DOCUMENT NO. SD-79576-300		SHEET NO. 1 OF 3	
		1 PLACE	± ---	± ---	THIS DRAWING CONTAINS INFORMATION THAT IS PROPRIETARY TO MOLEX INCORPORATED AND SHOULD NOT BE USED WITHOUT WRITTEN PERMISSION					
DRAFT WHERE APPLICABLE MUST REMAIN WITHIN DIMENSIONS		ANGULAR ± 1 °								

9

8

7

6

5

4

3

2

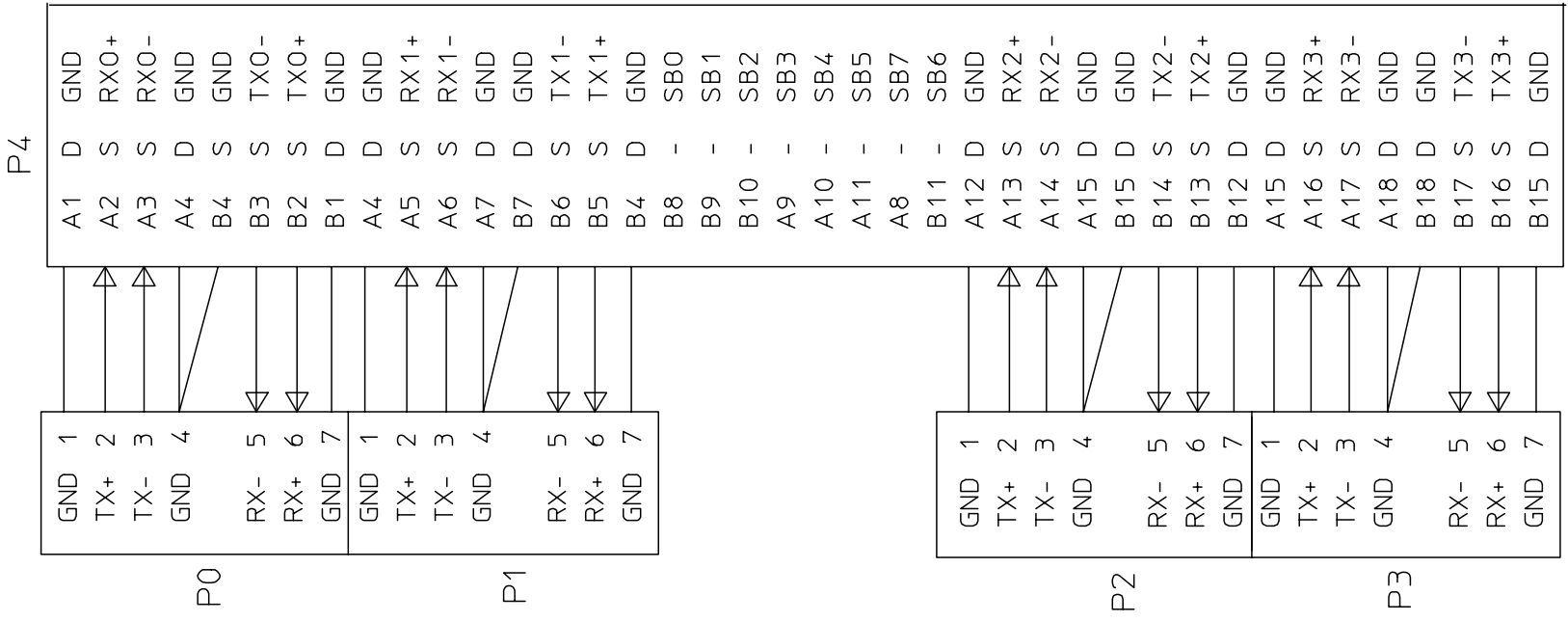
1

6 5 4 3 2 1

NOTE:

1. PIN OUT CONFORMS TO SAS 1.1 09D SECTION 5.2.3.2.3.3 FIG 83 AND SECTION 5.2.3.2.3.3 TBL 27
2. ALL SIGNAL GROUNDS ARE BUSSED IN PCB

PIN OUT 1



IPASS™ IS A TRADEMARK OF MOLEX.

NOTE:

- 1) D = DRAIN WIRE
- S = SIGNAL WIRE

ENTER DESCRIPTION EC NO: USY2007-0360 DRWN: SNAVARRO 2007/03/27 CHKD: PSYTSMA 2007/03/28 APPR: DDOYE 2007/03/28	
REV	DESCRIPTION

QUALITY SYMBOLS	= 0.05 = 0.1
-----------------	-----------------

GENERAL TOLERANCES (UNLESS SPECIFIED)	
	mm INCH
4 PLACES	± --- ± ---
3 PLACES	± --- ± .01
2 PLACES	± 0.25 ± ---
1 PLACE	± --- ± ---
ANGULAR ± 1 °	
DRAFT WHERE APPLICABLE MUST REMAIN WITHIN DIMENSIONS	

DIMENSION STYLE	
MM/IN	
DRAWN BY	DATE
JERWIN	2005/11/21
CHECKED BY	DATE
THALL	2005/11/21
APPROVED BY	DATE
DDOYE	2005/11/21
MATERIAL NO.	
SEE CHART	
SIZE	THIS DRAWING CONTAINS INFORMATION THAT IS PROPRIETARY TO MOLEX INCORPORATED AND SHOULD NOT BE USED WITHOUT WRITTEN PERMISSION
A	

SCALE	DESIGN UNITS	THIRD ANGLE PROJECTION
1:1	METRIC	
TITLE		
IPASS CABLE ASSY 36 CKT TO SATA FANOUT CABLE		
MOLEX INCORPORATED		
DOCUMENT NO.	SHEET NO.	
SD-79576-300	2 OF 3	

5 4 3 2 1

6

5

4

3

2

1

NOTE:

- 1. NON-STANDARD PIN OUT WITH SATA BACKPLANE CONNECTORS TWISTED
- 2. ALL SIGNAL GROUNDS ARE BUSSED IN PCB.

D

D

C

C

B

B

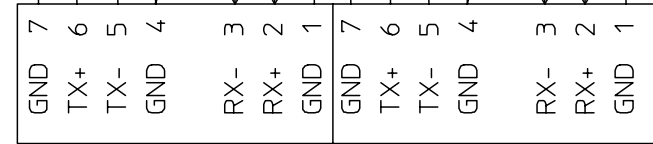
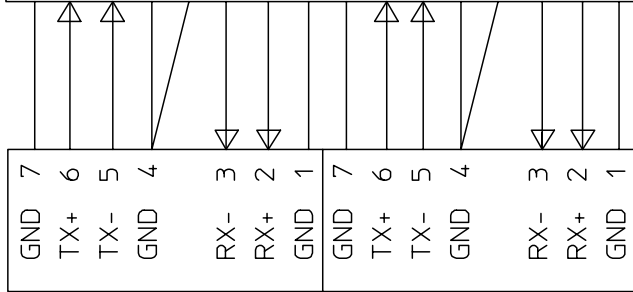
A

A

PIN OUT 2

P4

GND	RX0+	RX0-	GND	GND	TX0-	TX0+	GND	GND	RX1+	RX1-	GND	GND	TX1-	TX1+	GND	SB0	SB1	SB2	SB3	SB4	SB5	SB7	SB6	GND	RX2+	RX2-	GND	GND	TX2-	TX2+	GND	GND	RX3+	RX3-	GND	GND	TX3-	TX3+	GND
A1	A2	A3	A4	B4	B3	B2	B1	A4	A5	A6	A7	B7	B6	B5	B4	B8	B9	B10	A9	A10	A11	A8	B11	A12	A13	A14	A15	B15	B14	B13	B12	A15	A16	A17	A18	B18	B17	B16	B15
D	S	S	D	S	S	S	D	D	S	S	D	D	S	S	D	-	-	-	-	-	-	-	-	D	S	S	D	D	S	S	D	D	S	S	D	D	S	S	D



P0

P1

P2

P3

IPASS™ IS A TRADEMARK OF MOLEX.

NOTE:

- 1) D = DRAIN WIRE
- S = SIGNAL WIRE

ENTER DESCRIPTION	QUALITY SYMBOLS
EC NO: USY2007-0360	▽=0
DRWN: SNAVARRO 2007/03/27	▽=0
CHKD: PSYTSMA 2007/03/28	
APPR: DDOYE 2007/03/28	
REV	DESCRIPTION

GENERAL TOLERANCES (UNLESS SPECIFIED) 4 PLACES ± --- ± --- 3 PLACES ± --- ± .01 2 PLACES ± 0.25 ± --- 1 PLACE ± --- ± --- ANGULAR ± 1 ° DRAFT WHERE APPLICABLE MUST REMAIN WITHIN DIMENSIONS	DIMENSION STYLE	
	mm	INCH
	DRAWN BY DATE	
	JERWIN 2005/11/21	
	CHECKED BY DATE	
THALL 2005/11/21		
APPROVED BY DATE		
DDOYE 2005/11/21		
MATERIAL NO.		
SEE CHART		

SCALE	DESIGN UNITS	THIRD ANGLE PROJECTION
1:1	METRIC	
TITLE		
IPASS CABLE ASSY 36 CKT TO SATA FANOUT CABLE		
MOLEX INCORPORATED		
DOCUMENT NO.		SHEET NO.
SD-79576-300		3 OF 3
THIS DRAWING CONTAINS INFORMATION THAT IS PROPRIETARY TO MOLEX INCORPORATED AND SHOULD NOT BE USED WITHOUT WRITTEN PERMISSION		

5

4

3

2

1