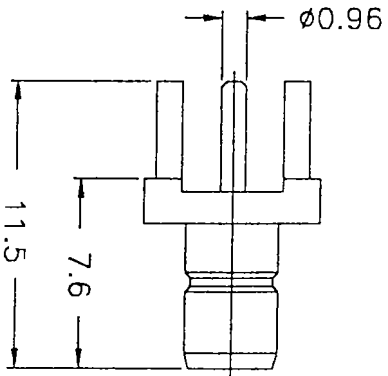
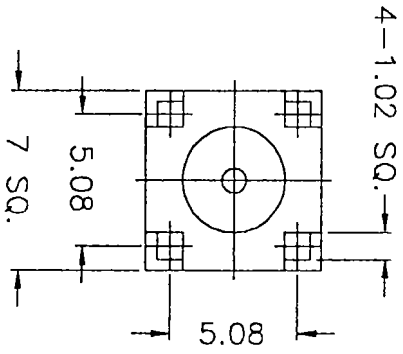


REV.	DATE	DESCRIPTION
NC	9-4-96	INITIAL RELEASE



DESCRIPTION	MATERIAL	FINISH	DIMENSIONS ARE IN MILLIMETERS UNLESS OTHERWISE SPECIFIED TOLERANCES ARE:		APPROVALS	DATE	TITLE							
1 BODY	BRASS	NICKEL	0.5-6 = ± 0.2	DRAWN	G.R.S	9-4-96	SIZE	ISSUED	SCALE	4:1	PART NO.	142136	SHEET	1 OF 1
2 INSULATOR	TEFLON	NATURAL	6-30 = ± 0.4	CHECKED			FSQ# NO.							
3 CONTACT	BRASS	GOLD	30-120 = ± 0.6	ISSUED			99001	DWG. NO.						
4			120-315 = ± 1											
5			315-1000 = ± 1.6											
6			1000-2000 = ± 2.4											
7														
8														



SMB STRAIGHT RECEPTACLE PCB 50ohm

REV. NC