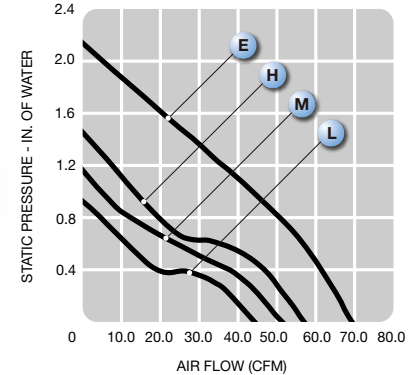
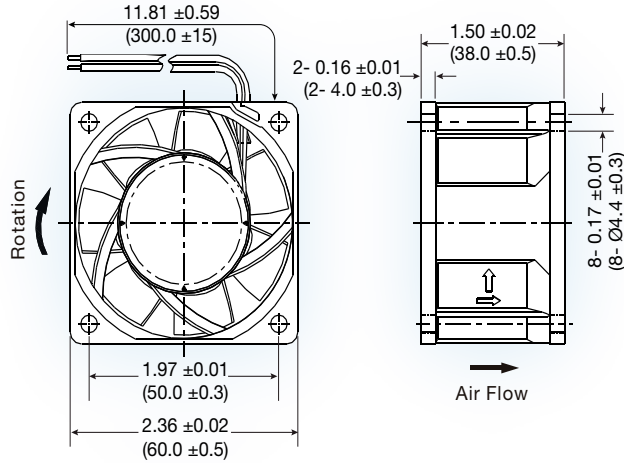


MQ6038 series

HIGH PERFORMANCE



(60 x 60 x 38 mm)
2.36 x 2.36 x 1.50 inches

Construction:	UL94V-0 PBT impeller & frame
Bearing option:	ball bearing
Connection:	AWG 24, UL1007 lead wires
Frame:	flanged
Protection:	thermal
Options:	tachometer output or locked rotor alarm signal; PWM speed control

Model No.	Rated Voltage V	Current mA			Speed RPM	Air Volume		Max. Static Pressure (H ₂ O)		Sound Noise dbA	Weight g
		12	24	48		M ³ /Min.	CFM	MM	INCH		
MQ6038L	12/24/48	480	260	210	8,000	1.26	44.60	23.2	0.91	53	106
MQ6038M	12/24/48	650	360	260	9,000	1.45	51.30	29.1	1.15	57	106
MQ6038H	12/24/48	860	460	310	10,000	1.61	57.00	36.3	1.43	60	106
MQ6038E	12/24/48	1600	720	410	11,000	1.96	69.20	53.6	2.11	64	106

