



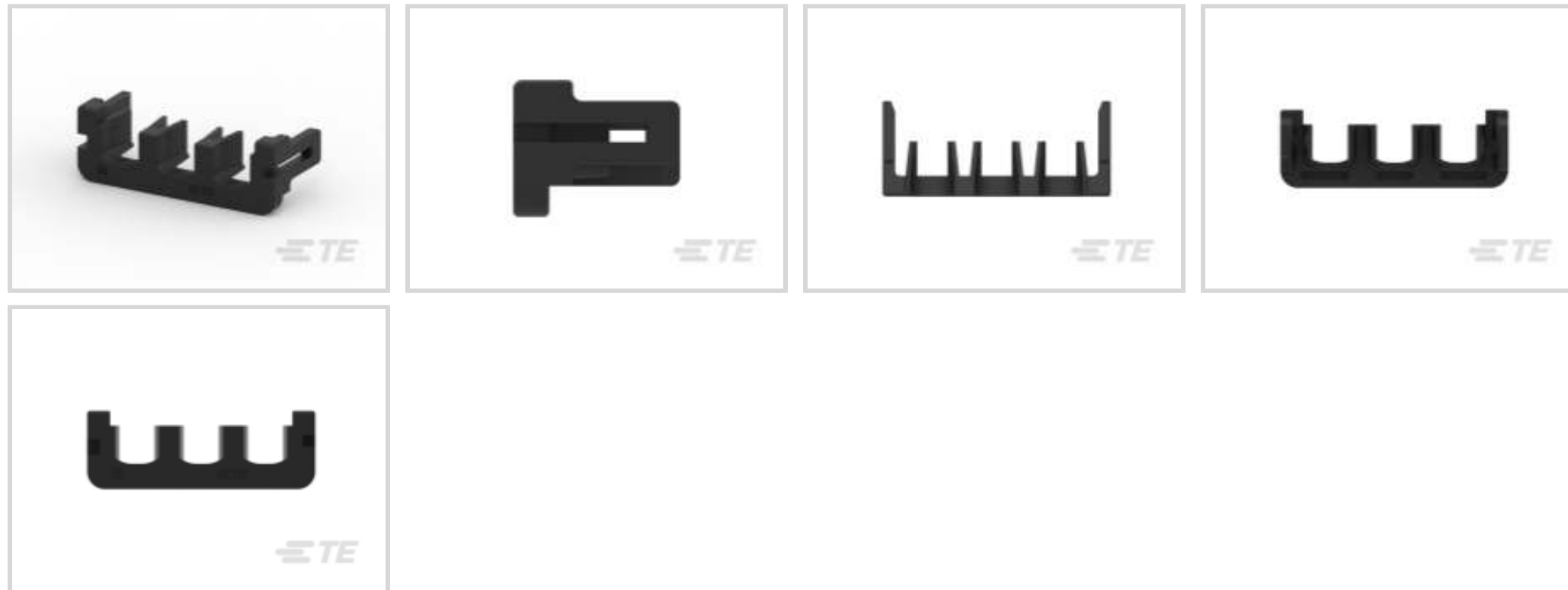
GRACE INERTIA 6.2

TE Internal #: 1-2232564-1

Rectangular Connector Locking, TPA (Terminal Position Assurance),  
-40 – 221 °F [-40 – 105 °C], GRACE INERTIA 6.2

[View on TE.com >](#)

Connectors > Rectangular Connectors > Rectangular Connector Accessories > Rectangular Connector Locking



Connector & Contact Retention Accessory Type: **TPA (Terminal Position Assurance)**

Operating Temperature Range: **-40 – 105 °C [-40 – 221 °F]**

**Features**

**Product Type Features**

Connector & Contact Retention Accessory Type	TPA (Terminal Position Assurance)
--	-----------------------------------

**Electrical Characteristics**

Operating Voltage	600 VAC
-------------------	---------

**Usage Conditions**

Operating Temperature Range	-40 – 105 °C[-40 – 221 °F]
-----------------------------	----------------------------

**Packaging Features**

Packaging Quantity	3000
Packaging Method	Bag

**Product Compliance**

[For compliance documentation, visit the product page on TE.com>](#)

EU RoHS Directive 2011/65/EU	Compliant
EU ELV Directive 2000/53/EC	Compliant
China RoHS 2 Directive MIIT Order No 32, 2016	No Restricted Materials Above Threshold
EU REACH Regulation (EC) No. 1907/2006	Current ECHA Candidate List: JUNE 2023 (235) Candidate List Declared Against: JAN 2023 (233)



Does not contain REACH SVHC

Halogen Content

Low Halogen - Br, Cl, F, I < 900 ppm per homogenous material. Also BFR/CFR/PVC Free

Solder Process Capability

Not reviewed for solder process capability

Product Compliance Disclaimer

This information is provided based on reasonable inquiry of our suppliers and represents our current actual knowledge based on the information they provided. This information is subject to change. The part numbers that TE has identified as EU RoHS compliant have a maximum concentration of 0.1% by weight in homogenous materials for lead, hexavalent chromium, mercury, PBB, PBDE, DBP, BBP, DEHP, DIBP, and 0.01% for cadmium, or qualify for an exemption to these limits as defined in the Annexes of Directive 2011/65/EU (RoHS2). Finished electrical and electronic equipment products will be CE marked as required by Directive 2011/65/EU. Components may not be CE marked. Additionally, the part numbers that TE has identified as EU ELV compliant have a maximum concentration of 0.1% by weight in homogenous materials for lead, hexavalent chromium, and mercury, and 0.01% for cadmium, or qualify for an exemption to these limits as defined in the Annexes of Directive 2000/53/EC (ELV). Regarding the REACH Regulation, the information TE provides on SVHC in articles for this part number is based on the latest European Chemicals Agency (ECHA) 'Guidance on requirements for substances in articles' posted at this URL: <https://echa.europa.eu/guidance-documents/guidance-on-reach>

### Compatible Parts



TE Part # 1747995-2  
GHC EYELET 6.2 3POS PLUG  
HOUSING RED



TE Part # 1747995-3  
GHC EYELET 6.2 3POS PLUG  
HOUSING BLUE

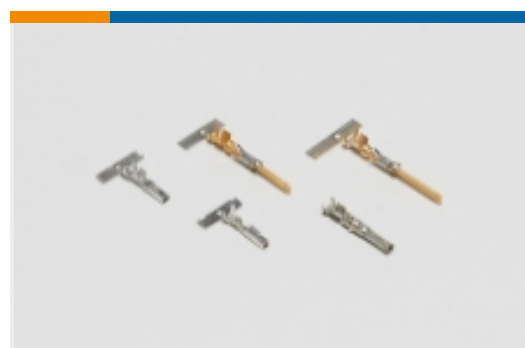


TE Part # 1747995-1  
GHC EYELET 6.2 3POS PLUG  
HOUSING NATURAL



TE Part # 1747995-4  
GHC EYELET 6.2 3POS PLUG  
HOUSING YELLOW

### Also in the Series | GRACE INERTIA 6.2



Power Contacts(4)

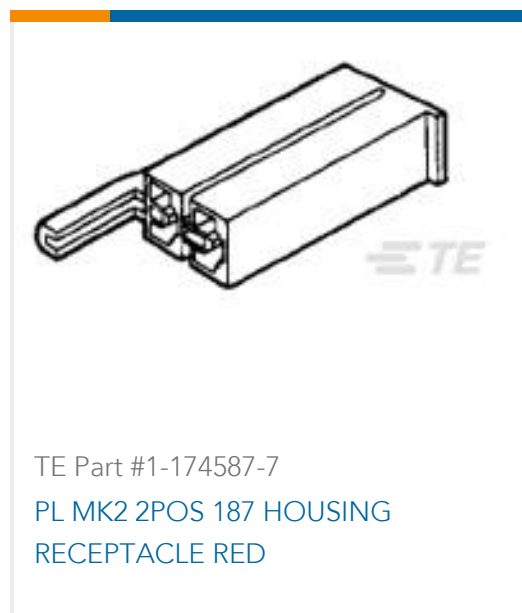
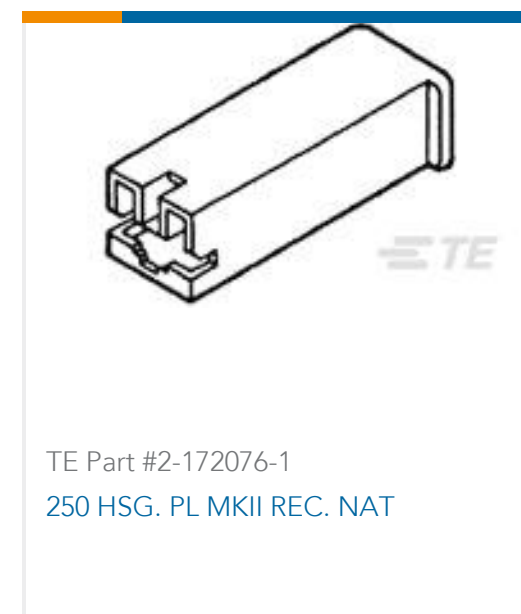


Rectangular Connector Locking(1)



Rectangular Power Connectors(13)

### Customers Also Bought



## Documents

### Product Drawings

[GHC 6.2MM 3POS TPA HSG](#)

English

### CAD Files

[3D PDF](#)

3D

Customer View Model

[ENG\\_CVM\\_CVM\\_1-2232564-1\\_A.2d\\_dxf.zip](#)

English

Customer View Model

[ENG\\_CVM\\_CVM\\_1-2232564-1\\_A.3d\\_igs.zip](#)

English

Customer View Model

[ENG\\_CVM\\_CVM\\_1-2232564-1\\_A.3d\\_stp.zip](#)

English

By downloading the CAD file I accept and agree to the [Terms and Conditions](#) of use.

### Product Specifications



### Application Specification

English

---

### Product Environmental Compliance

#### Product Compliance

English

#### Product Compliance

English