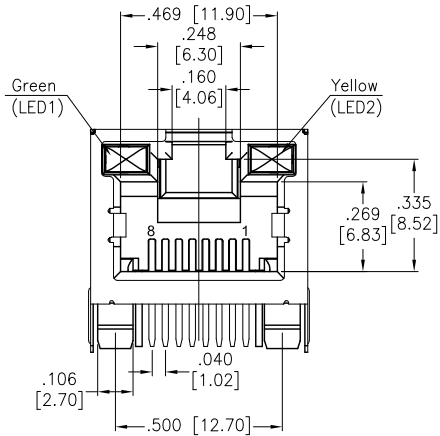
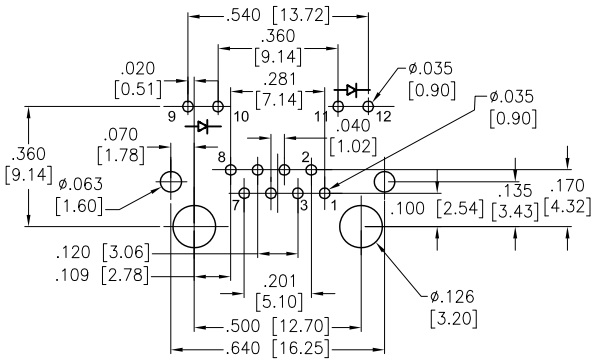
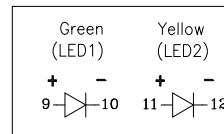
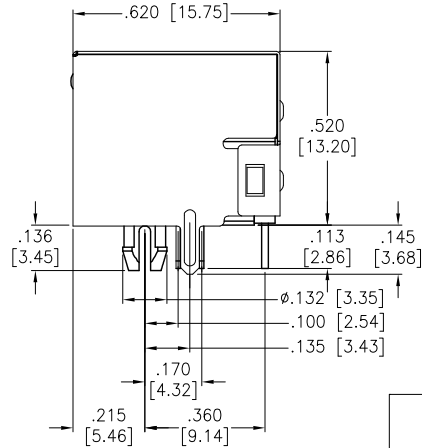


APPROVED: _____
 DATE: _____ TITLE: _____

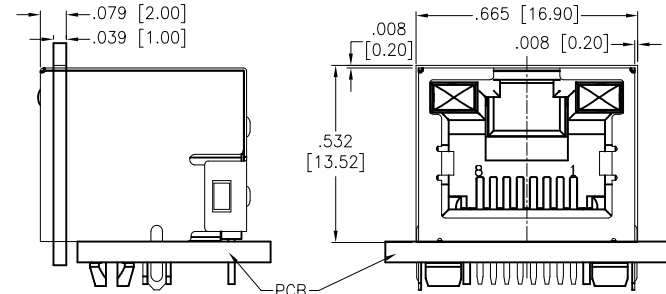
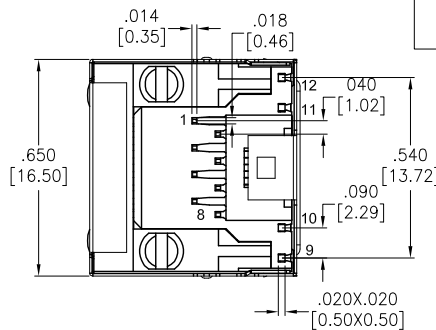
Rev	AWO #	Description	Date	Appr
-		Released	8/4/06	
A		Added LED CHART	9/3/10	SS
B		REDRAWN	11/15/11	
C		ADDED TOP VIEW TO PCB LAYOUT	12/15/11	
D		ADDED PANEL CUTOUT AND JACK LOCATION	8/14/12	
E		REVISED HEIGHT DIMENSION	8/21/12	
F		UPDATE SHAPE	9/11/14	AY/NP
G		UPDATE SPEC.	3/13/15	AY/CH
H		UPDATE SPEC.	4/13/15	HR/LW
I		UPDATE SPEC.	6/17/16	HR/CH
J		ADDED LED POLARITY	7/8/20	SS



X	PLATING
0	15 µin Gold
1	30 µin Gold
2	50 µin Gold
6	6 µin Gold



RECOMMENDED PCB TOP LAYOUT



RECOMMENDED PANEL CUTOUT AND JACK LOCATION

SPECIFICATIONS:

Material:
 Insulator: PBT, glass reinforced, rated UL 94V-0
 Insulator color: Black
 Contacts: Phosphor Bronze
 Shield: Brass, Nickel plated
 Contacts Plating:
 Round contact
 Gold over Nickel underplate overall
 Flat contact
 Gold over Nickel underplate on contact area,
 Tin over Nickel underplate on solder tails
 (See chart for thickness)

Electrical:

Voltage rating: 150 VAC rms
 Current rating: 1.5 Amps max
 Contact resistance: 20 mohms max. initial
 Insulation resistance: 1000 Mohms min @ 500 VDC
 Dielectric withstanding voltage:
 Contact to Contact: 1,000 VDC or AC Peak for 1 minute
 Contact to Screen and Test panel: 1,500 VDC or AC Peak for 1 minute

Temperature Rating:

Operating temperature: -40°C to +85°C
 Environmental:
 Lead free, RoHS compliant.



UNLESS OTHERWISE SPECIFIED ALL DIMENSIONS ARE MM [INCHES] TOLERANCES: EXCEPT AS NOTED			
.X	± .10 [2.54]	ØX	± .10 [2.54]
.XX	± .020 [.51]	ØXX	± .015 [.38]
.XXX	± .015 [.38]	ØXXX	± .010 [.25]
APPROVALS		DATE	
DRAWN	SLS	8/4/06	
CHECKED			
APPROVED			

ADAM TECH
 909 Rahway Avenue, Union, NJ 07083
 Phone: 908-687-5000 Fax: 908-687-0214

TITLE
**MODULAR TELEPHONE JACK, R/A, 8P8C
 W/ LED1 GREEN, LED2 YELLOW**

SIZE X	PART NO. MTJ-88ARX1-FSM-LH	REV. J
REF: S00005C	SCALE: NTS	SHEET 1 OF 1