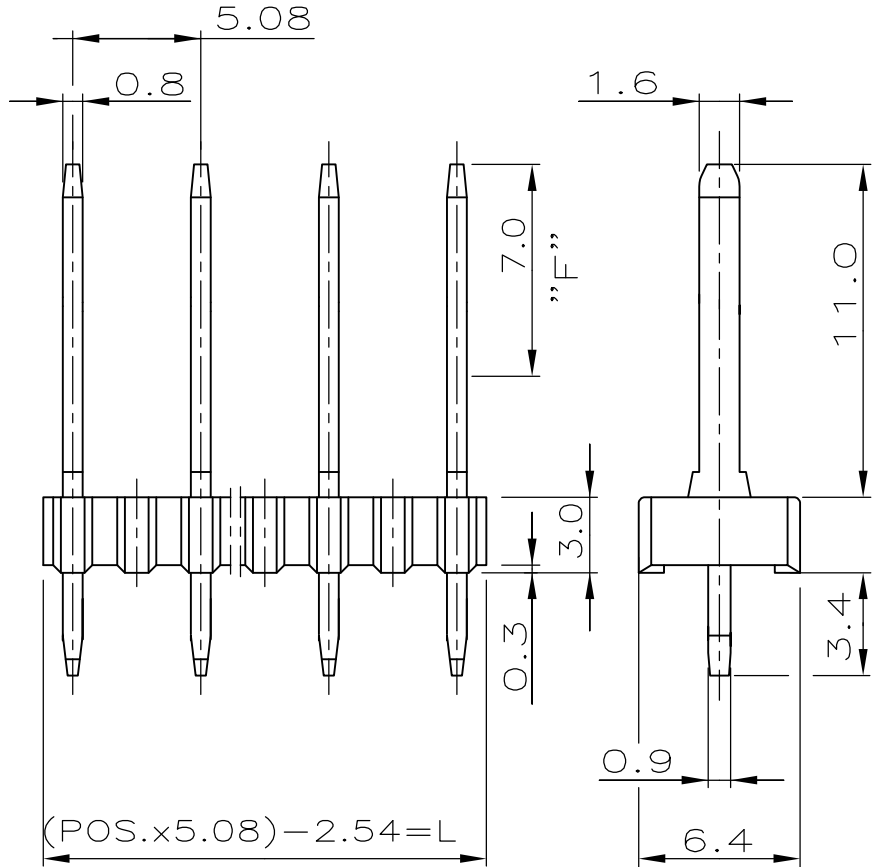


LOC	DIST	REVISIONS					
—	—	P	LTR	DESCRIPTION	DATE	DWN	APVD
		H		RESIN CHANGE FROM EXISTING PBT TO READILY AVAILABLE PBT	09OCT2015	KJK	PS

Pos.	L ± 0.3	PART NUMBER
1	2.54	<del>827 871</del> 1
2	7.62	-2
3	12.70	-3
4	17.78	-4
5	22.86	-5
6	27.94	-6
7	33.02	-7
8	38.10	-8
9	43.18	-9
10	48.26	1-0
11	53.34	1-1
12	58.42	1-2
13	63.50	1-3
14	68.58	1-4
15	73.66	1-5
16	78.74	1-6
17	83.82	1-7
18	88.90	1-8
19	93.98	1-9
20	99.06	2-0
21	104.14	2-1
22	109.22	2-2
23	114.30	2-3
24	119.38	2-4
25	124.46	2-5
26	129.54	2-6
27	134.62	2-7
28	139.70	2-8
29	144.78	2-9
30	149.86	3-827 871-0

CONTACT PIN	CuSn	△
PIN HOUSING	PBT-GV	GREEN
DESCRIPTION	MATERIAL	COLOR FINISH



NOTES:

- △1 STECKSEITE: IM BEREICH "F" 0.8 μm GOLD ÜBER 1.27 μm NICKEL  
LÖTSEITE: 2.5-5 μm ZINN ÜBER 1.27 μm NICKEL
- △2 OBSOLETE PARTS: OBSOLETE CIS STREAMLINING PER D.RENAUD/D.SINISI
- △3 OBSOLETE

RELEASED FOR PUBLICATION

ALL RIGHTS RESERVED.

THIS DRAWING IS UNPUBLISHED.

COPYRIGHT - By -

DIMENSIONS: mm	DWN	18.05.81	MATERIAL	FINISH
	CHK	R.JÄGER	-	-
TOLERANCES UNLESS OTHERWISE SPECIFIED:	APVD	BÖCK	TE Connectivity	
	PRODUCT SPEC	-		
0 PLC ± 0.2 mm	APPLICATION SPEC	-	NAME	
1 PLC ± -	WEIGHT	-	AMPMODU I PIN HEADER, PITCH 5.08	
2 PLC ± -	CUSTOMER DRAWING	A4	SIZE	RESTRICTED TO
3 PLC ± -			CAGE CODE	00779
4 PLC ± -		DRAWING NO	C-827871	
ANGLES ± -		SCALE	4:1	SHEET 1 OF 1
				REV H