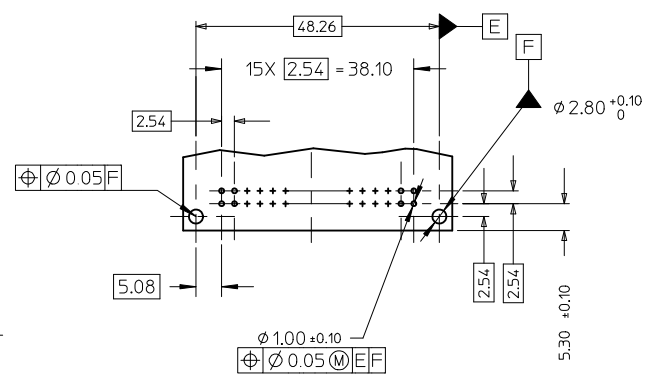
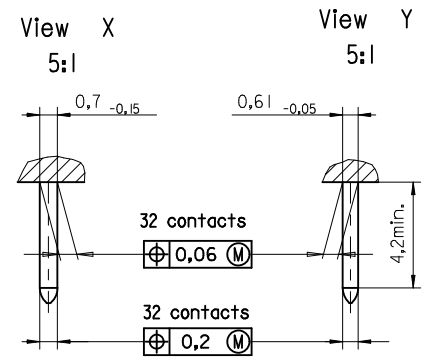


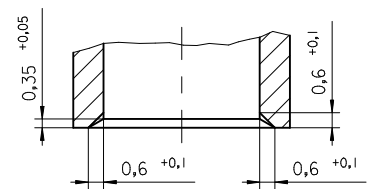
RECOMMENDED PCB LAYOUT
COMPONENT SIDE



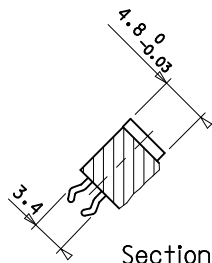
RECOMMENDED PCB THICKNESS - 1.6MM



Section A - B
5:1



Section C - D



ENTER DESCRIPTION EC NO: 12011-0346 DRWN: VUTTARKAR 2011/08/31 CHKD: KRASAD APPR: KRASAD 2011/09/02	QUALITY SYMBOLS F _A =0 F _C =0 F _E =0	GENERAL TOLERANCES (UNLESS SPECIFIED)		DIMENSION STYLE MM ONLY	SCALE	DESIGN UNITS METRIC	FIRST ANGLE PROJECTION	
				DRAWN BY VUTTARKAR	DATE	TITLE	32POS. MALE CONNECTOR ACC. DIN 41612 STYLE B/2 DIMENSIONS	
		4 PLACES	± ---	± ---	CHECKED BY KRASAD	DATE	MOLEX INCORPORATED	
		3 PLACES	± ---	± ---	APPROVED BY	DATE	DOCUMENT NO. SDA-85001-0002	
		2 PLACES	± ---	± ---	MATERIAL NO. ---		SHEET NO. 1 OF 01	
		1 PLACE	± ---	± ---	SIZE A3		THIS DRAWING CONTAINS INFORMATION THAT IS PROPRIETARY TO MOLEX INCORPORATED AND SHOULD NOT BE USED WITHOUT WRITTEN PERMISSION	
		ANGULAR ± ---°		DRAFT WHERE APPLICABLE MUST REMAIN WITHIN DIMENSIONS				

