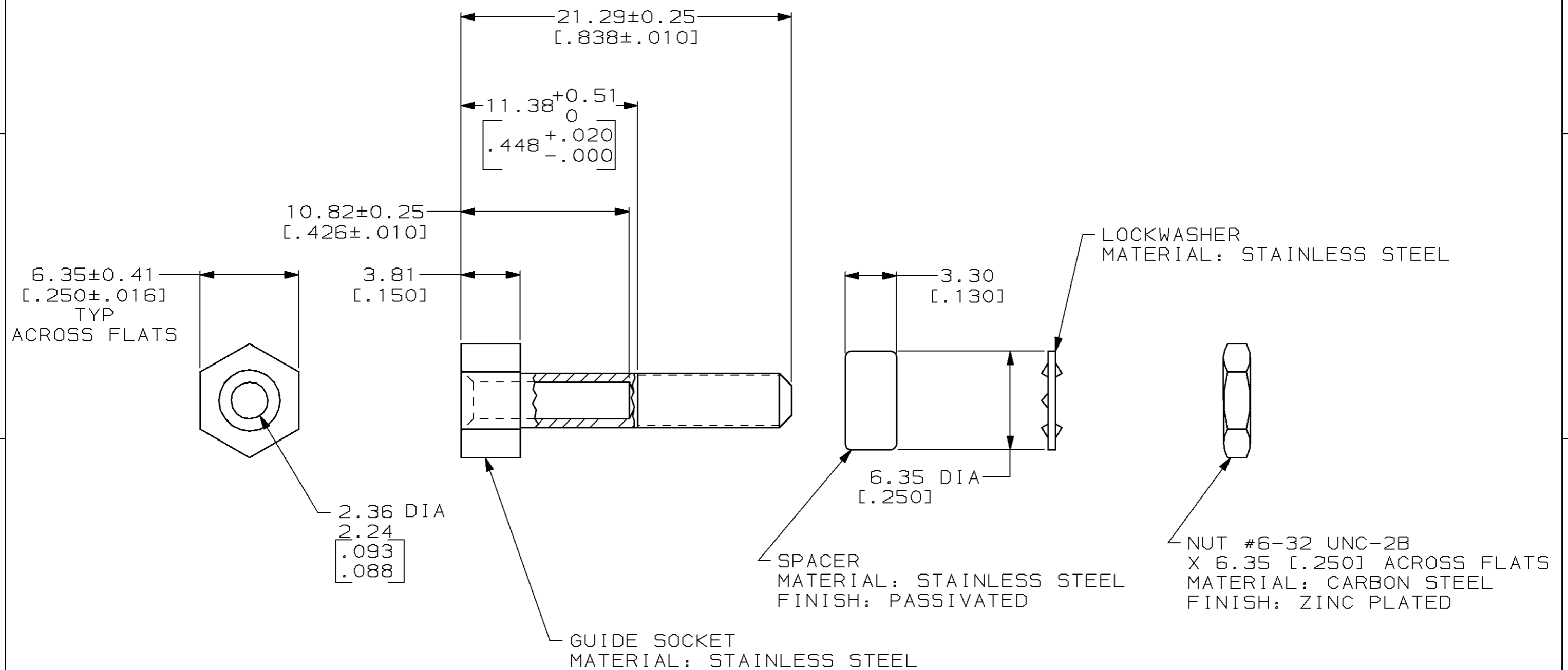
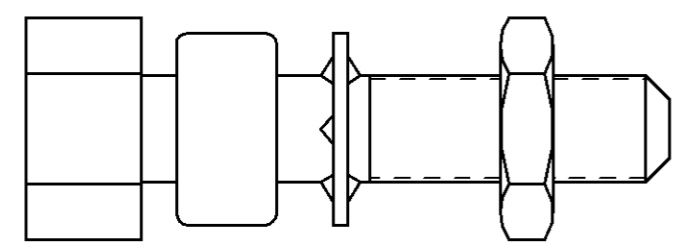


THIS DRAWING IS UNPUBLISHED. RELEASED FOR PUBLICATION ,19 .  
 © COPYRIGHT 19 BY AMP INCORPORATED. ALL RIGHTS RESERVED.

LOC	DIST	REVISIONS			
P	LTR	DESCRIPTION	DATE	DWN	APVD
FT	8	E	REDRAWN W/O CHANGE PER EC 0020-287-96	05 JUN 96	-



204099-2  
 PART NUMBER



THIS DRAWING IS A CONTROLLED DOCUMENT.		DWN B. CARBO 05 JUN 96	AMP Incorporated Harrisburg, PA 17105-3608
DIMENSIONS: mm [INCHES]		CHK R. STONE 19 JUL 96	
TOLERANCES UNLESS OTHERWISE SPECIFIED:		APVD G. A. STEINHAUER 24 JUL 96	
0 PLC ±- 1 PLC ±- 2 PLC ±0.13 [ .005 ] 3 PLC ±- 4 PLC ±- ANGLES ±-		NAME	
MATERIAL SEE CALLOUTS		FINISH SEE CALLOUTS	PRODUCT SPEC
		APPLICATION SPEC	GUIDE, SOCKET ASSEMBLY, M SERIES
		WEIGHT -	SIZE A3
		CUSTOMER DRAWING	CAGE CODE 00779
			DRAWING NO C-204099
			SCALE 4:1 SHEET 1 OF 1 REV E