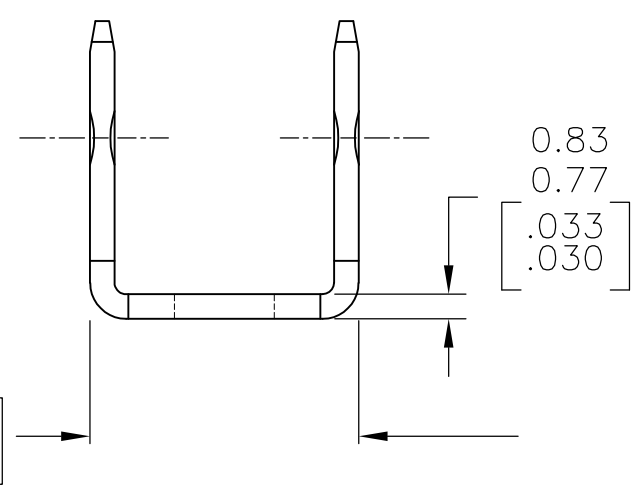
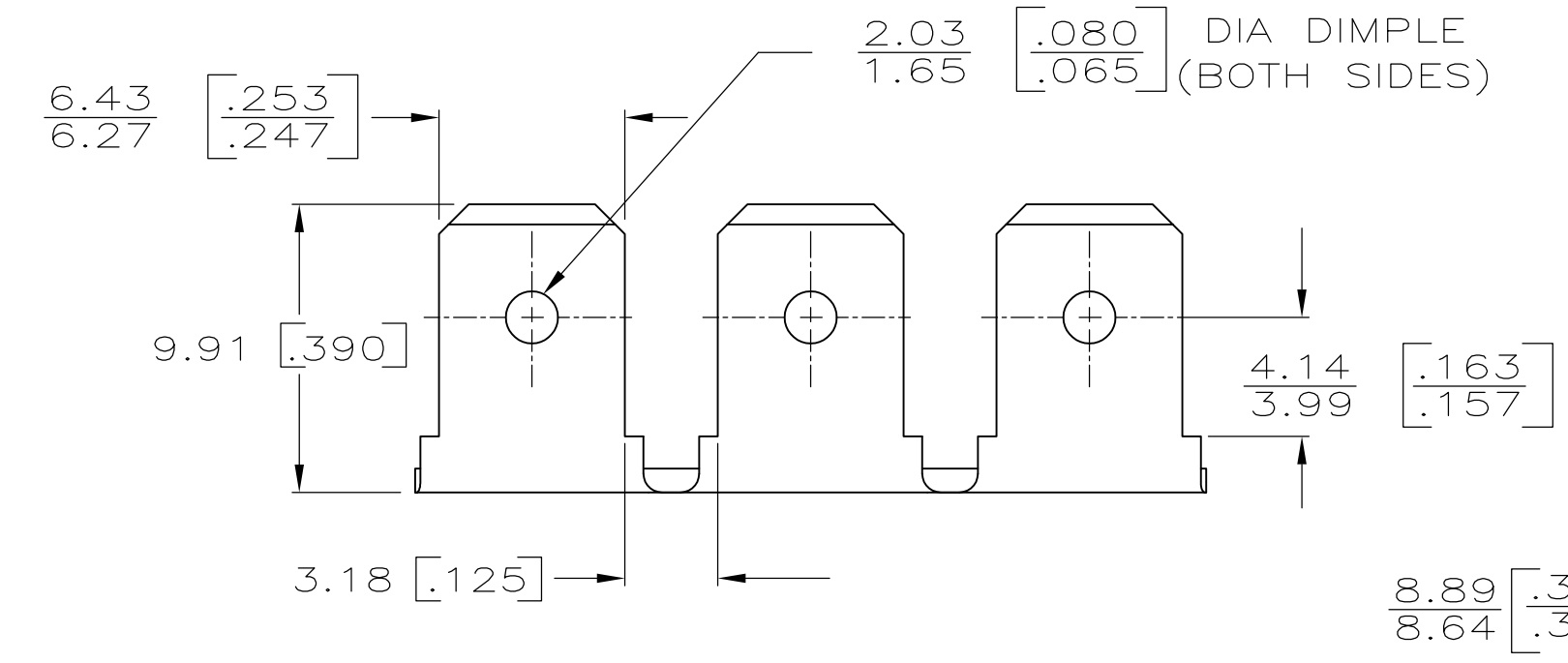
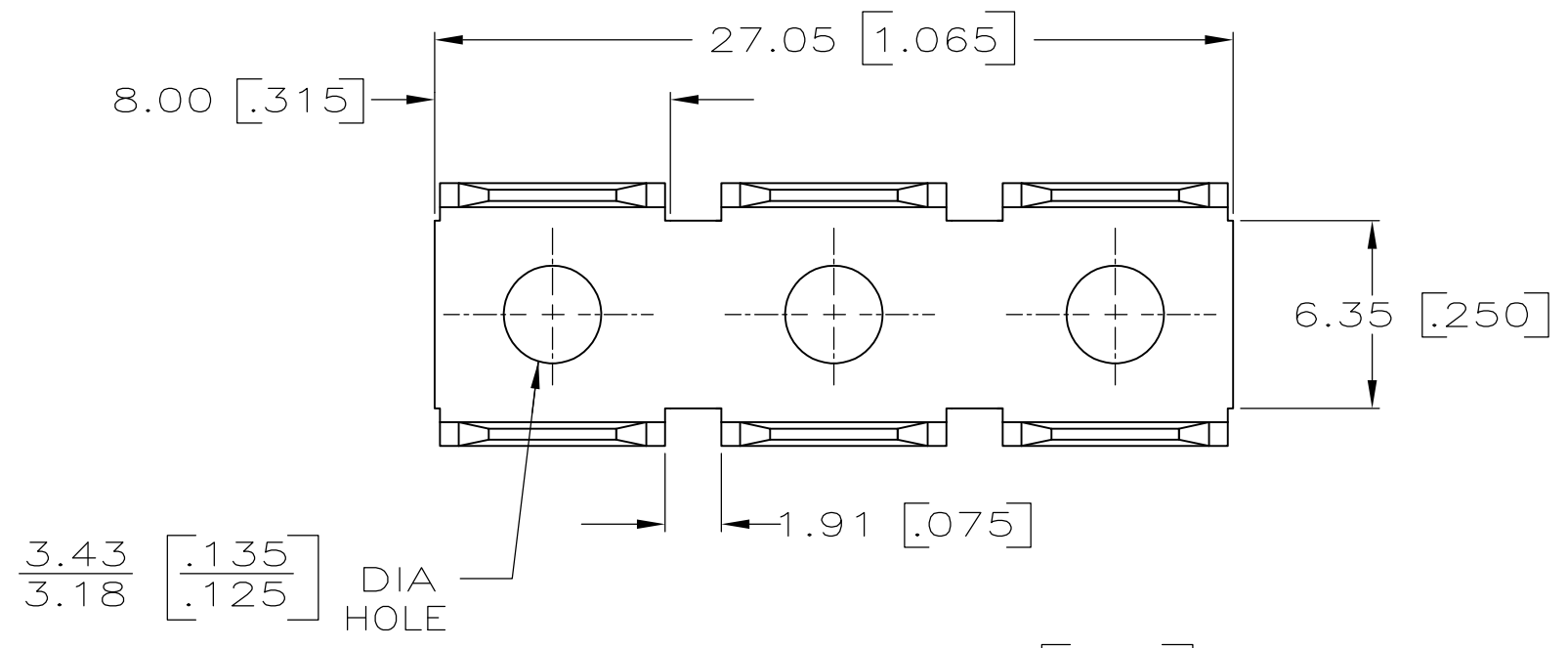


THIS DRAWING IS UNPUBLISHED. RELEASED FOR PUBLICATION
 © COPYRIGHT - By - ALL RIGHTS RESERVED.

LOC	DIST	REVISIONS					
		P	LTR	DESCRIPTION	DATE	DWN	APVD
-	-		AH	REVISED PER ECR-13-011489	10DEC2013	KH	PD

- 1 DIMENSIONS IN BRACKETS ARE IN INCHES.
- 2 SUPPLIED IN LOOSE PIECE.



41292
 PART NUMBER

THIS DRAWING IS A CONTROLLED DOCUMENT.		DWN	JR RUTH	8/12/86	STE TE Connectivity			
DIMENSIONS: mm [INCHES]		CHK	G YETTER	8/12/86				
TOLERANCES UNLESS OTHERWISE SPECIFIED:		APVD	C MEYERS	8/13/86	NAME			
0 PLC ± -		PRODUCT SPEC			.250 SERIES FASTON TAB			
1 PLC ± -		APPLICATION SPEC			SIZE	CAGE CODE	DRAWING NO	RESTRICTED TO
2 PLC ± -		MATERIAL			A3 00779 C-41292			-
3 PLC ± 0.25 [.010]		FINISH			CUSTOMER DRAWING			SCALE 4:1
4 PLC ± -		MATERIAL			SHEET 1 OF 1			REV AH
ANGLES ± -		MATERIAL			SHEET 1 OF 1			REV AH
FINISH -		MATERIAL			SHEET 1 OF 1			REV AH