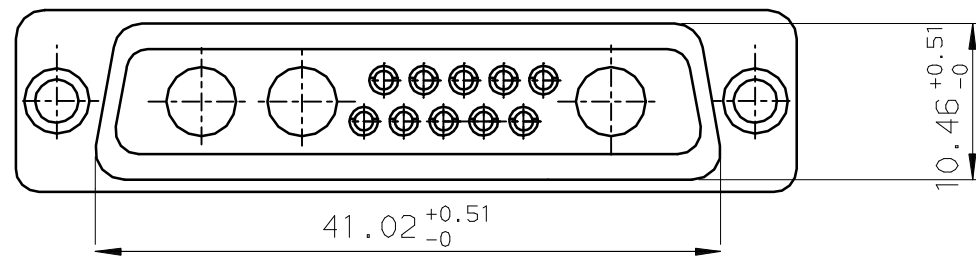
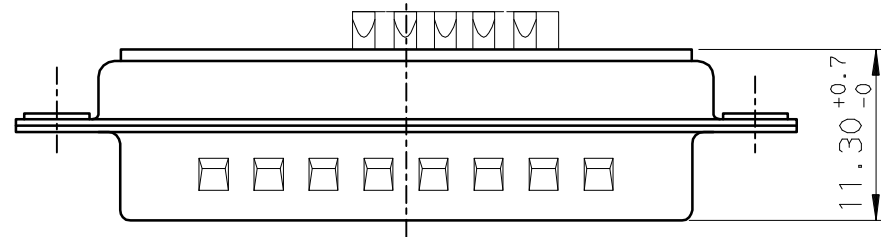
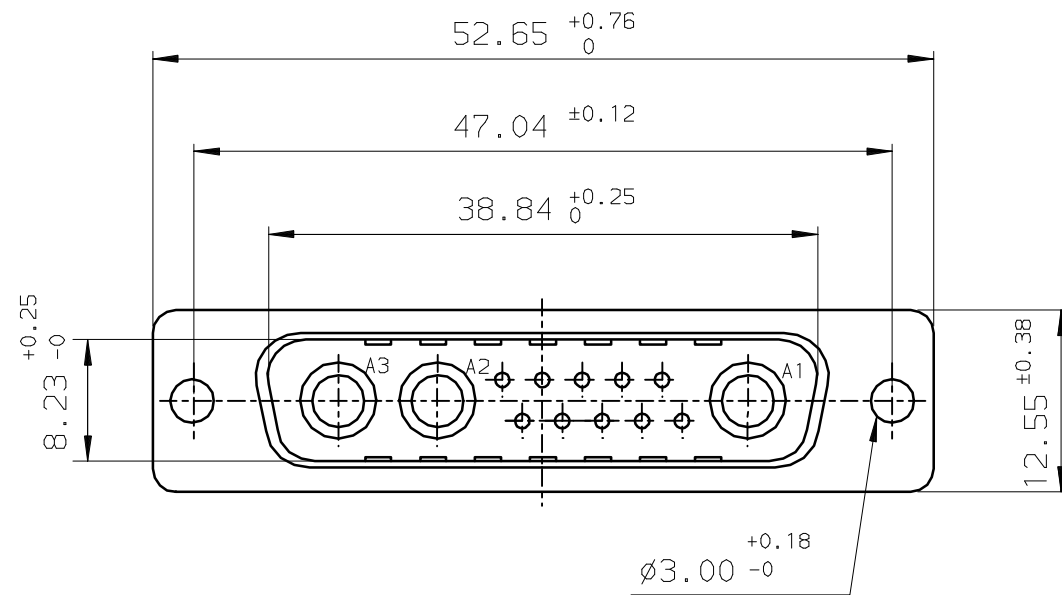


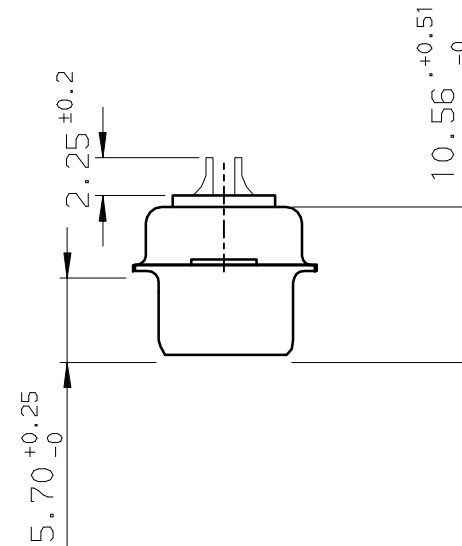
Tous droits strictement réservés. Reproduction ou communication à des tiers interdite sous quelque forme que ce soit sans autorisation écrite du propriétaire. Propriété de FCI. Droits de reproduction FCI.

FCI

All rights strictly reserved. Reproduction or issue to third parties in any form whatever is not permitted without written authority from the proprietor. Property of FCI. Copyright FCI.



**GENERAL CHARACTERISTICS AND ROHS INFORMATIONS:
SEE DRAWING C01-8639-0003**



TIN LEAD PART NUMBER DB13W3P043A00
LEAD FREE PART NUMBER DB13W3P043A00LF

European view

ltr	ecn no	dr	date
B	-	TDE	01/10/03
C	LS05-001	MPE	09/03/05
-	-	-	-
-	-	-	-
-	-	-	-
-	-	-	-

FCI	www.fciconnect.com		ISO 1302	tolerance ISO 406 ISO 1101	projection 	mm 		
	Dr	JARRY	05/01/01	Product family	D-SUB	size	A3	
Eng	PESSON	05/01/01	Spec ref	-	ECN	LS05-001	Scale	2
Chr	LEGARE	05/01/01	Material	SEE NOTES			Rev.	C
Appr	LEGARE	05/01/01					title	PIN CONNECTOR MARK 1 FOR POWERS CONTACTS
			catalog no	-	CUSTOMER COPY	dwg no	C01-8639-1806	sheet 1 of 1