

丸

形

Round Type

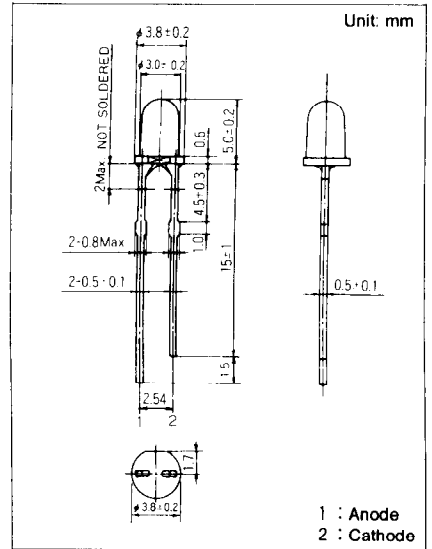
# φ 3.0mm Series

Type No.	Lighting Color
LN48YPP	Amber
LN48YCPP	Amber
LN48CPP	Amber

## 絶対最大定格 Absolute Maximum Ratings (Ta=25 °C)

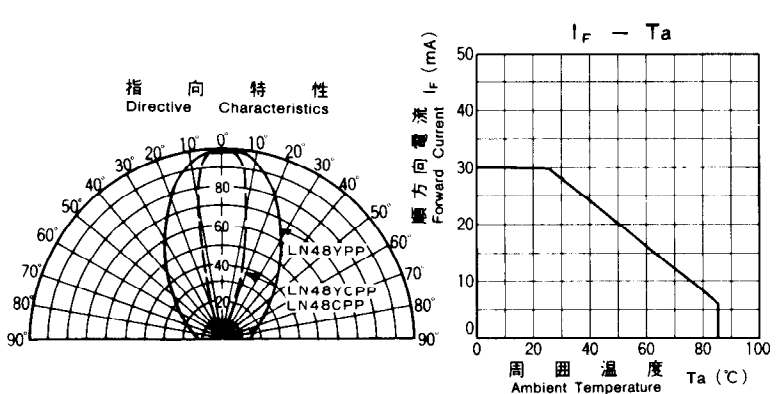
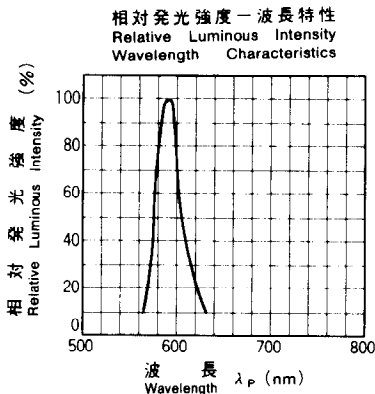
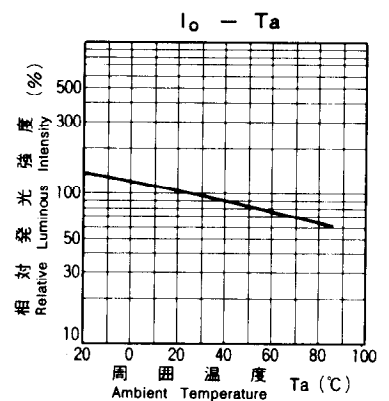
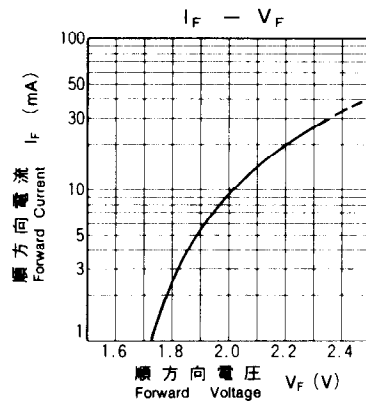
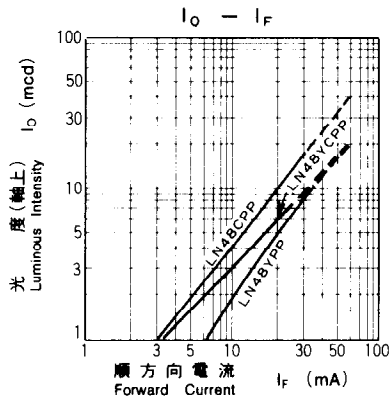
Lighting Color	P <sub>0</sub> (mW)	I <sub>F</sub> (mA)	I <sub>FP</sub> (mA)*	V <sub>R</sub> (V)	Topr (°C)	Tstg (°C)
Amber	90	30	150	4	-25~+85	-30~+100

\* I<sub>FP</sub>の条件は、duty 10%、Pulse width 1 msec. The condition of I<sub>FP</sub> is duty 10%, Pulse width 1 msec



## 電気的光学的特性 Electro-Optical Characteristics (Ta=25 °C)

Type No.	Lighting Color	Lens Color	I <sub>0</sub>			V <sub>F</sub>		λ <sub>P</sub>	Δλ	I <sub>F</sub>	I <sub>R</sub>	
			Typ.	Min.	I <sub>F</sub>	Typ.	Max.	Typ.	Typ.		I <sub>F</sub>	Max.
LN48YPP	Amber	Amber Diffused	5.0	1.7	20	2.2	2.8	590	30	20	10	4
LN48YCPP	Amber	Amber Clear	6.0	3.0	20	2.2	2.8	590	30	20	10	4
LN48CPP	Amber	Clear	10.0	4.0	20	2.2	2.8	590	30	20	10	4
Unit	—	—	mcd	mcd	mA	V	V	nm	nm	mA	μA	V



指向特性 Directive Characteristics

