

NOTES:

1. MATERIALS AND FINISHES:

BODY - BRASS, GOLD PLATING  
 REAR BODY, SLEEVE & BUSHING - BRASS, NICKEL PLATING  
 INNER & OUTER CONTACT - BeCu, GOLD PLATING  
 INSULATOR - PTFE, NATURAL  
 RETAINING RING - BeCu, NATURAL  
 WASHER - CARBON STEEL, NICKEL PLATING

2. ELECTRICAL:

A. IMPEDANCE: 50 OHM  
 B. FREQUENCY RANGE: DC - 20 GHz  
 C. VSWR (RETURN LOSS): 1.10 MAX @ 10 GHz  
 1.20 MAX @ 20 GHz  
 D. DWV: 1000 VRMS MIN  
 E. INSERTION LOSS: 0.15 dB MAX @ 6 GHz

3. MECHANICAL:

A. DURABILITY: 500 CYCLES MIN.  
 B. TEMPERATURE RANGE: -65°C TO +165°C

4. INSTRUCTIONS:

1. WITH SLIDER IN THE ENGAGED POSITION THE CONNECTOR FUNCTIONS LIKE A STANDARD SMA CONNECTOR. TIGHTEN (SPIN) THE KNURLED NUT BY HAND TO OBTAIN FULL MATING ENGAGEMENT OR DISENGAGEMENT.
2. QUICK CONNECT FUNCTION:
  - A. WITH SLIDER IN THE DISENGAGED POSITION, SLIDE THE CABLED CONNECTOR ON TO THE JACK RECEPTACLE, OVER THE JACK THREADS BY PUSHING ON THE BACK OF THE KNURLED NUT.
  - B. ENGAGE THE SLIDER WHILE MAINTAINING LIGHT FORWARD PRESSURE ON THE NUT. THIS ACTION IS DONE BY SLIPPING YOUR FINGERS FROM THE NUT TO THE SLIDER IN ONE MOTION.
  - C. ONCE THE SLIDER IS ENGAGED THE KNURLED NUT CAN BE TURNED 1 TURN OR LESS TO OBTAIN FULL MATING ENGAGEMENT PERFORMANCE.
  - D. DISENGAGE THE CONNECTOR BY FIRST LOOSENING THE COUPLING NUT A PARTIAL TURN. THEN DISENGAGE THE SLIDER AND REMOVE THE CONECTOR.

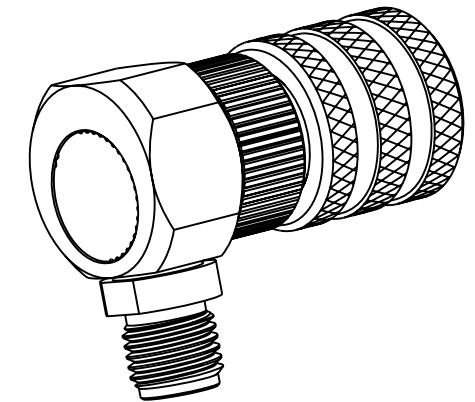
5. PACKAGING:

- A. QUANTITY: SINGLE PACK
- B. MARKING: BAG TO BE MARKED  
 "AMPHENOL RF, 901-10656, DATE CODE"

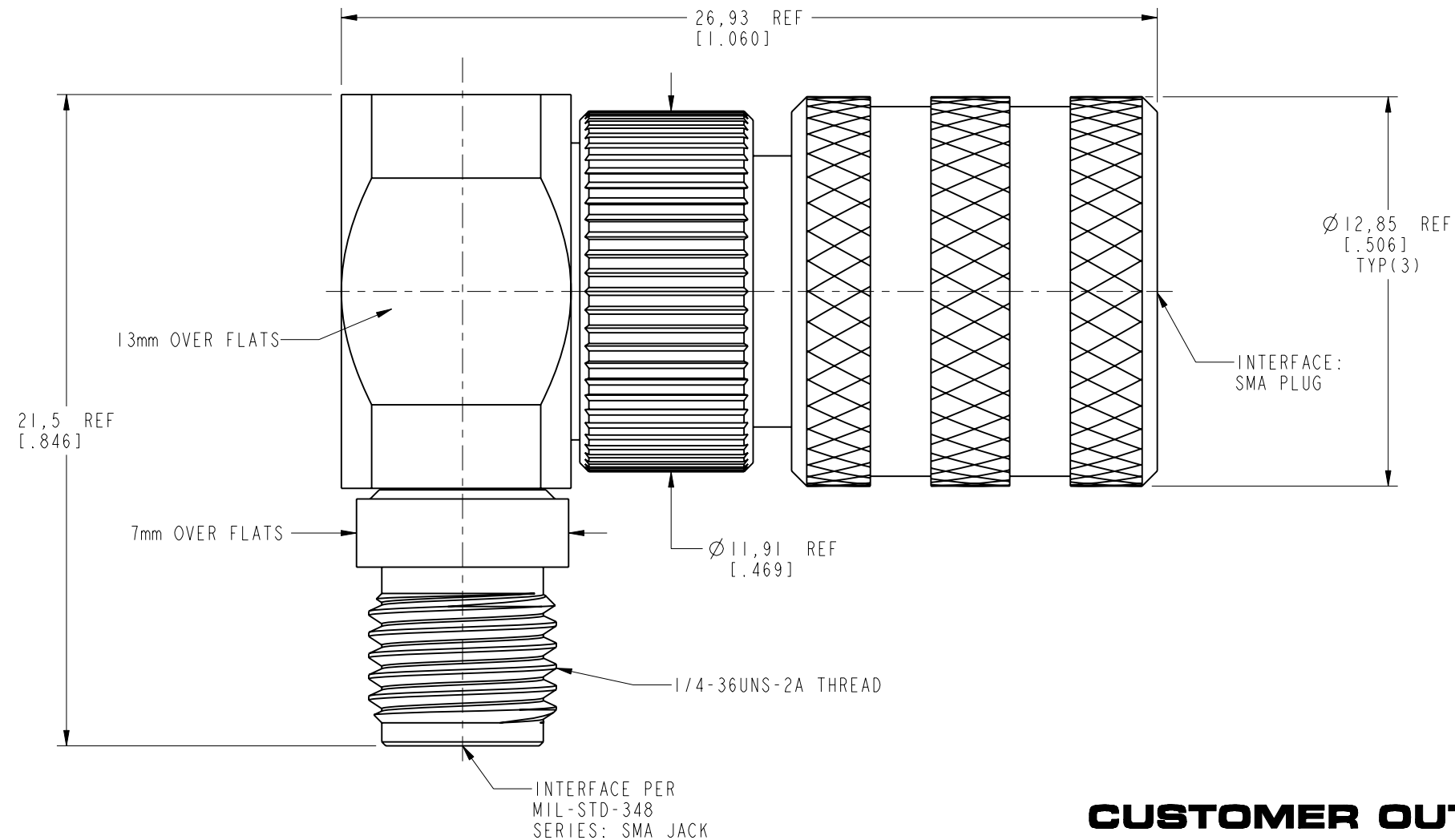
THIRD ANGLE PROJ.

REVISIONS

REV	DESCRIPTION	DATE	ECN	APPR
A	RELEASE TO MANUFACTURING	16-Jul-19	12242	CJV



SCALE 2.000



**CUSTOMER OUTLINE DRAWING**

ALL OTHER SHEETS ARE FOR INTERNAL USE ONLY

UNLESS OTHERWISE SPECIFIED, DIMENSIONS ARE IN METRIC AND TOLERANCES ARE: <0.5mm ±0.05mm    0.5 - 6mm ±0.1mm    6 - 30mm ±0.2mm    30 - 120mm ±0.3mm    ANGLES ±1°	MATERIAL	DRAWN	DATE	TITLE SMA R/A JACK TO PLUG ADAPTER, QUICK CONNECT	Amphenol RF www.amphenolrf.com
	SEE NOTES	S. DUAN	17-Jul-19		
NOTICE - These drawings, specifications, or other data (1) are, and remain the property of Amphenol corp. (2) must be returned upon request; and (3) are confidential and not to be disclosed to any person other than those to whom they are given by Amphenol Corp. the furnishing of these drawings, specifications, or other data by Amphenol Corp., or to any other person to anyone for any purpose is not to be regarded by implication or otherwise in any manner licensing, granting rights to permitting such holder or any other person to manufacture, use or sell any product, process or design, patented or otherwise, that may in any way be related to or disclosed by said drawings, specifications, or other data.	REFERENCE	ENGINEER	DATE	SCALE: 5.0:1.0   SHEET 2 OF 2	DRAWING NO. 901-10656
	EAR# 8217	C. VIGORITO	21-Mar-19		REV
	REF: --	APPROVED	S. HSIEH	02-Aug-19	A
CONFIGURATION LEVEL: In Work	FINISH	CAD FILE			