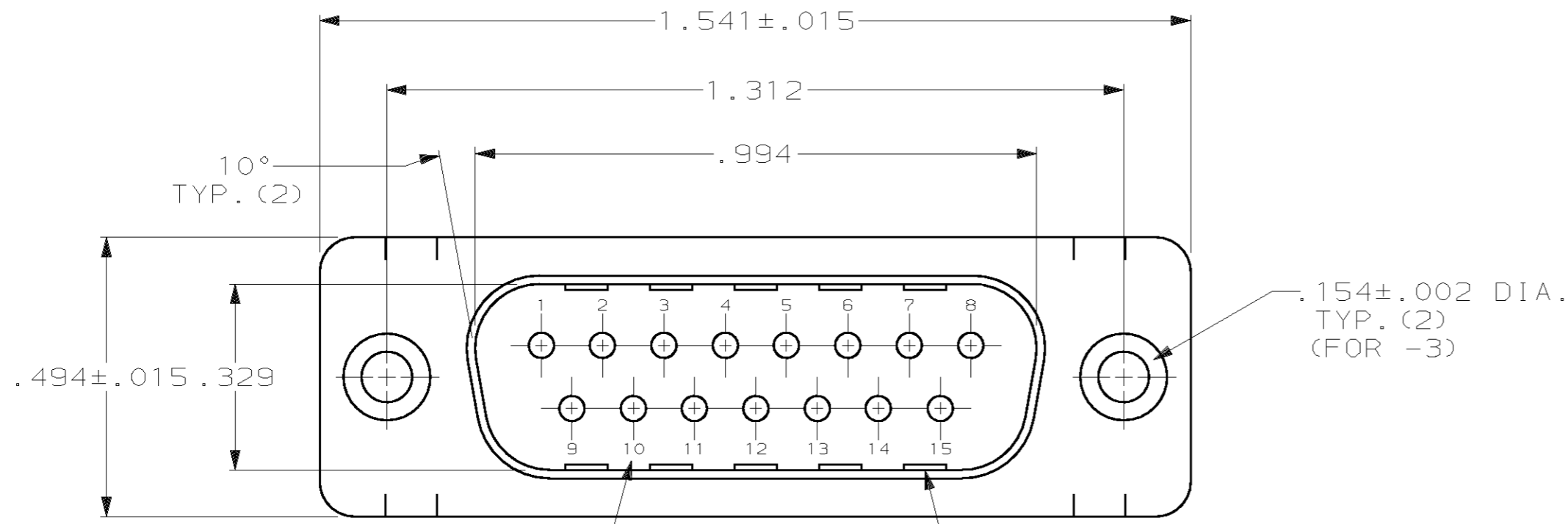


THIS DRAWING IS UNPUBLISHED. RELEASED FOR PUBLICATION .19  
 (C) COPYRIGHT 19 BY AMP INCORPORATED. ALL RIGHTS RESERVED.

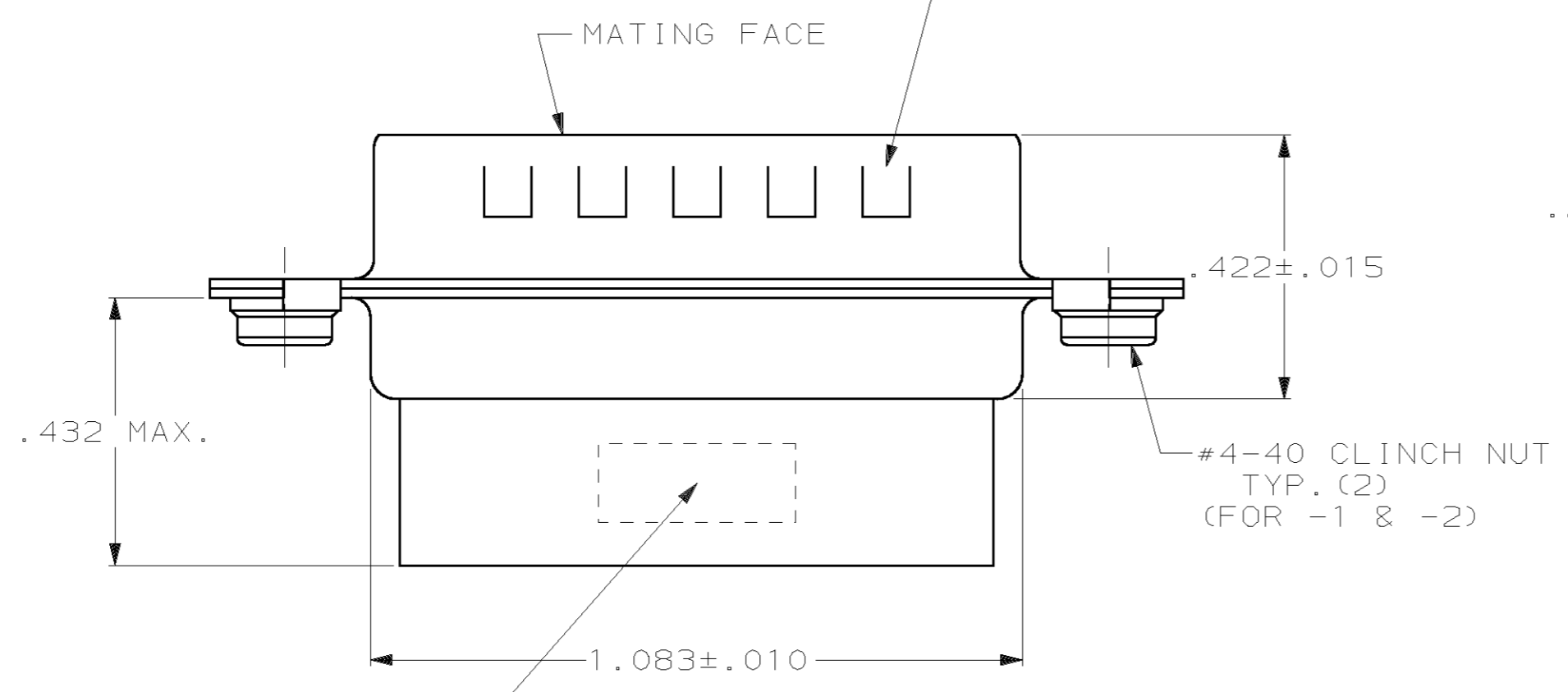
LOC		DIST		REVISIONS			
P	LTR	DESCRIPTION	DATE	DWN	APVD		
GP	00	C	REVISED PER EC 0513-0023-03	14MAY03	JG	5B	



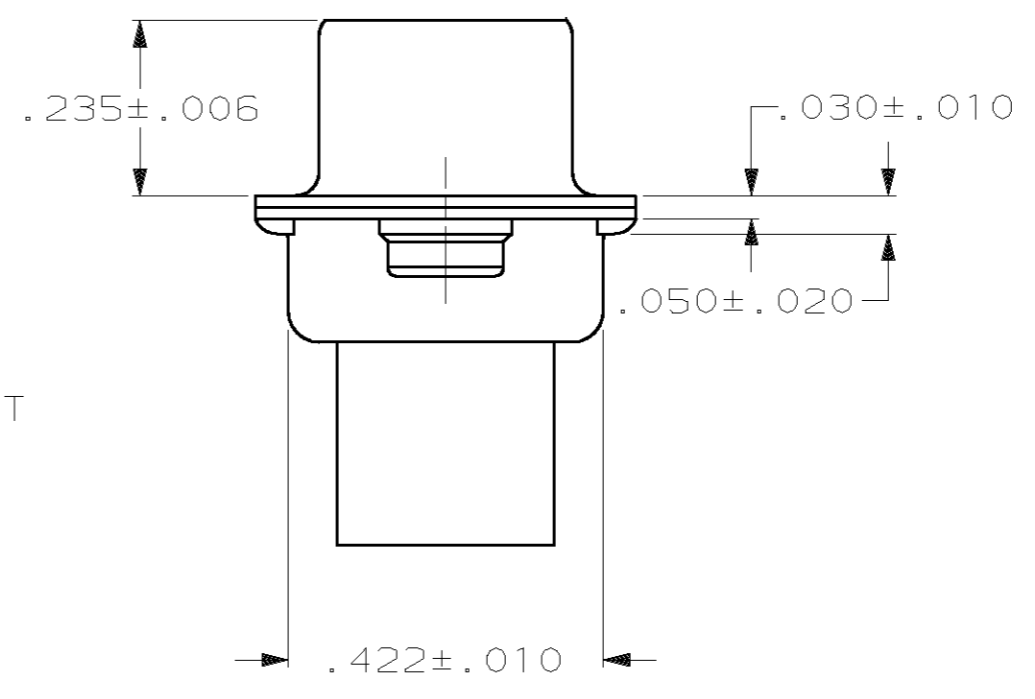
- 1. CONNECTOR ACCEPTS SIZE 20 DF PIN CONTACTS, RETENTION TINES ARE AN INTEGRAL PART OF INSERT.
- 2. CONNECTOR COMPLIES WITH AMP SPEC. 108-40005 WHERE APPLICABLE.
- 3. FLAME RETARDANT 94V-0 RATED THERMOPLASTIC; COLOR: BLACK.
- 4. STEEL PER ASTM A109.
- 5. TIN PLATED PER MIL-T-10727.

RAISED CAVITY IDENTIFICATION

GROUNDING INDENTS (FOR -2 & -3)



"AMP", PART NO. & DATE CODE, MARKED IN AREA INDICATED, ON FAR SIDE



OBSOLETE	NO	YES	745908-3
	YES	YES	745908-2
OBSOLETE	YES	NO	745908-1

CLINCH NUTS	GROUNDING INDENTS	PART NUMBER
-------------	-------------------	-------------

THIS DRAWING IS A CONTROLLED DOCUMENT.		DWN	J.GERACE	09 JUL 82	AMP Incorporated Harrisburg, PA 17105-3608
DIMENSIONS: mm (INCHES)		CHK	J.FULPONI	03 AUG 82	
TOLERANCES UNLESS OTHERWISE SPECIFIED: 0 PLC ±- 1 PLC ±- 2 PLC ±- 3 PLC ±.005 4 PLC ±- ANGLES ±2°		APVD	E.GILL	04 AUG 82	
MATERIAL MOLDED PARTS: 3 SHELLS: 4		PRODUCT SPEC	NAME		
FINISH SHELLS: 5		APPLICATION SPEC	PLUG CONNECTOR, SIZE 2, 15 POS, W/CLINCH NUTS, AMPLIMITE HDP		
CUSTOMER DRAWING		WEIGHT	SIZE		CAGE CODE
			A2		00779
		SCALE	DRAWING NO		REV
		4:1	C-745908		1 OF 1

745908