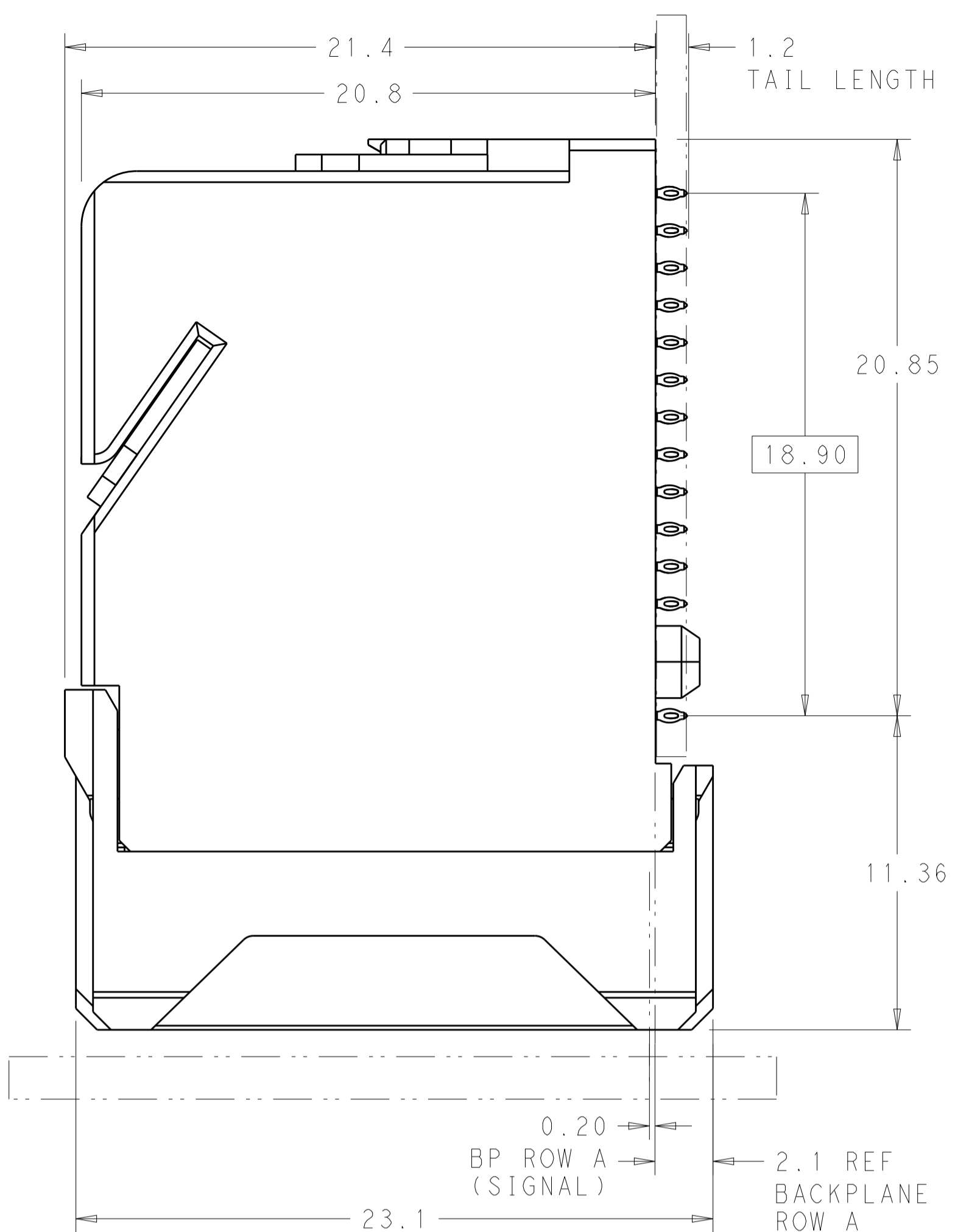
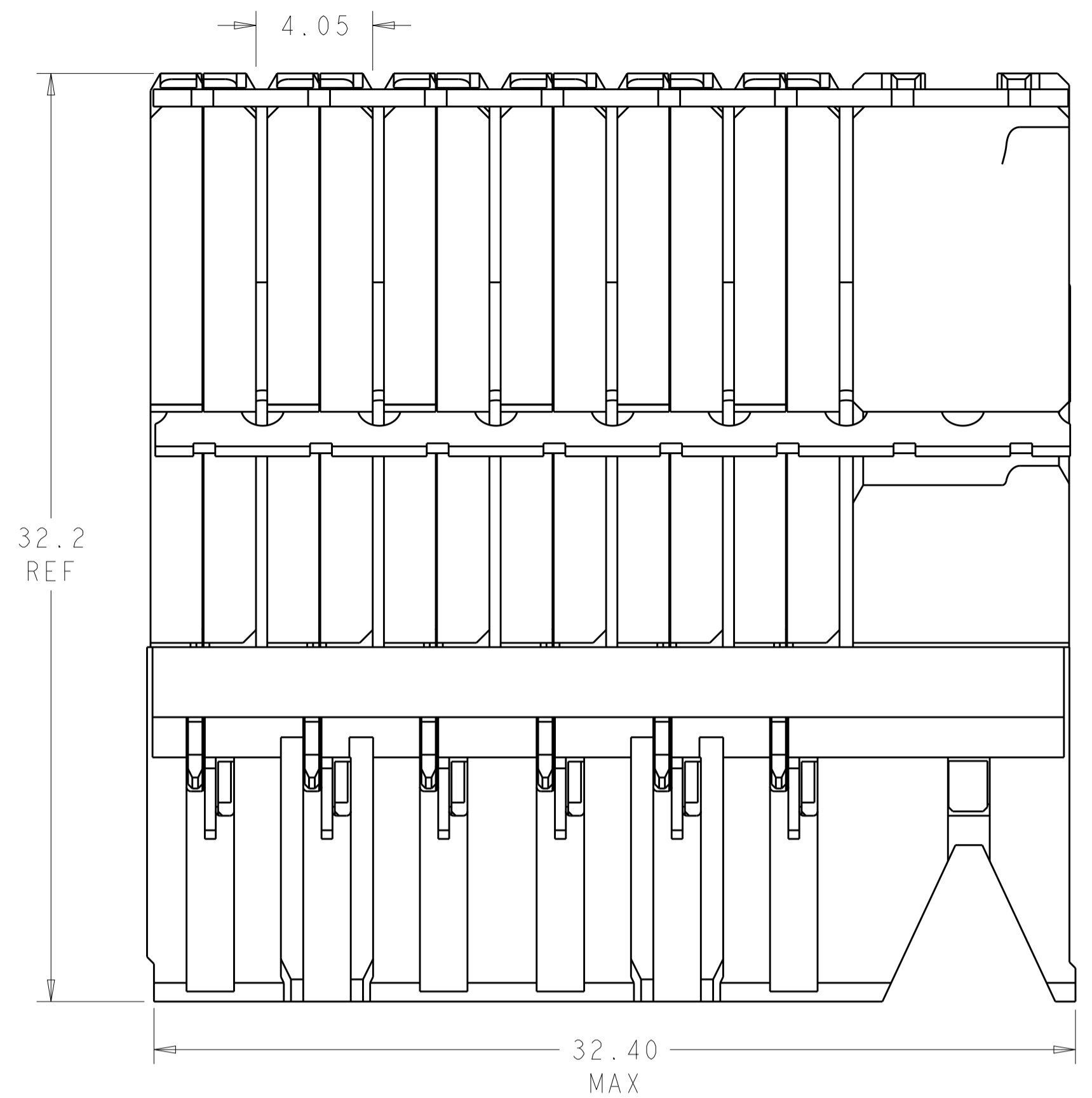
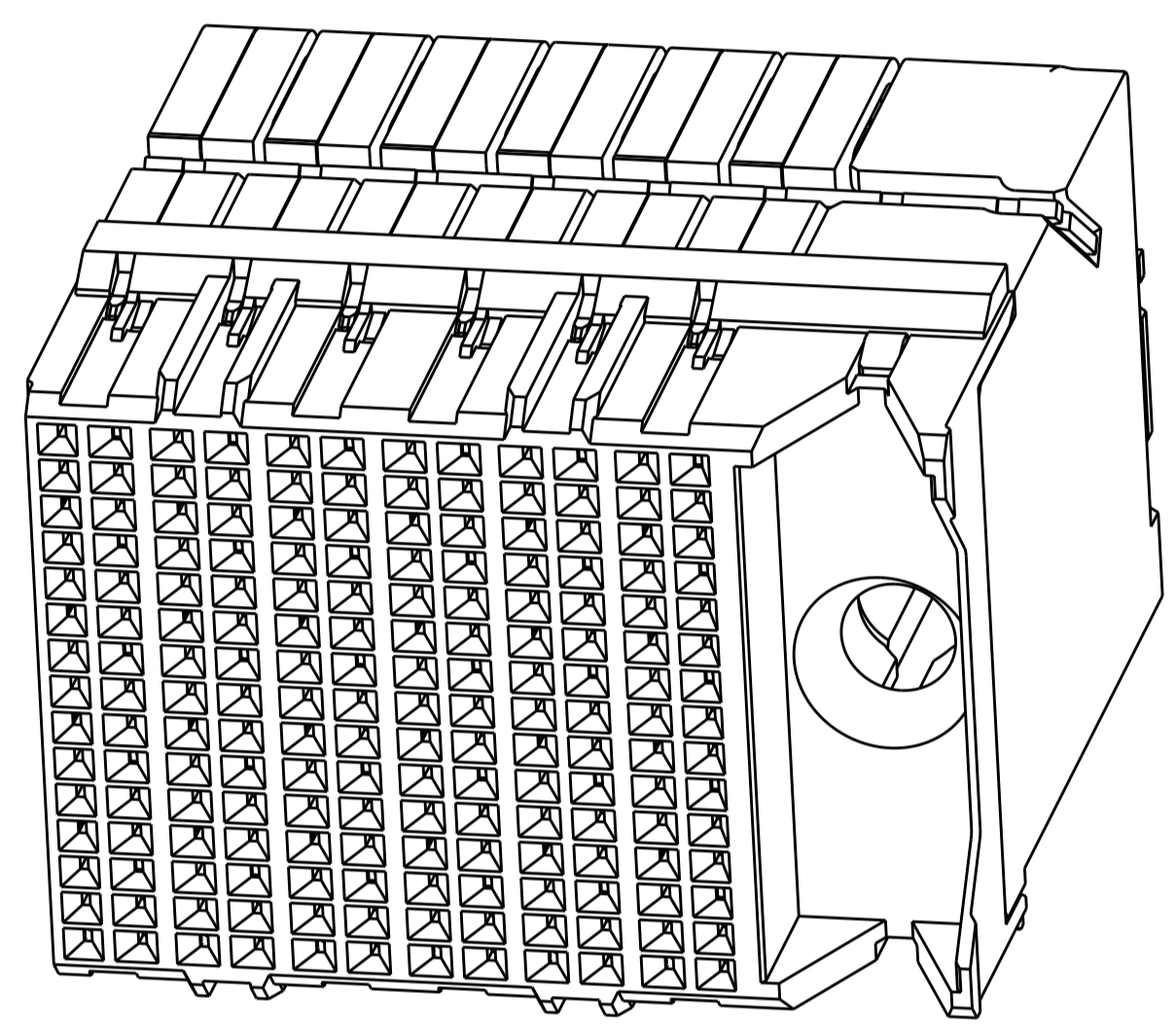


LOC		DIST		REVISIONS			
AD	00	P	LTN	DESCRIPTION	DATE	DWN	APVD
		D		REVISED PER ECO-15-004915	10APR2015	AP	DD

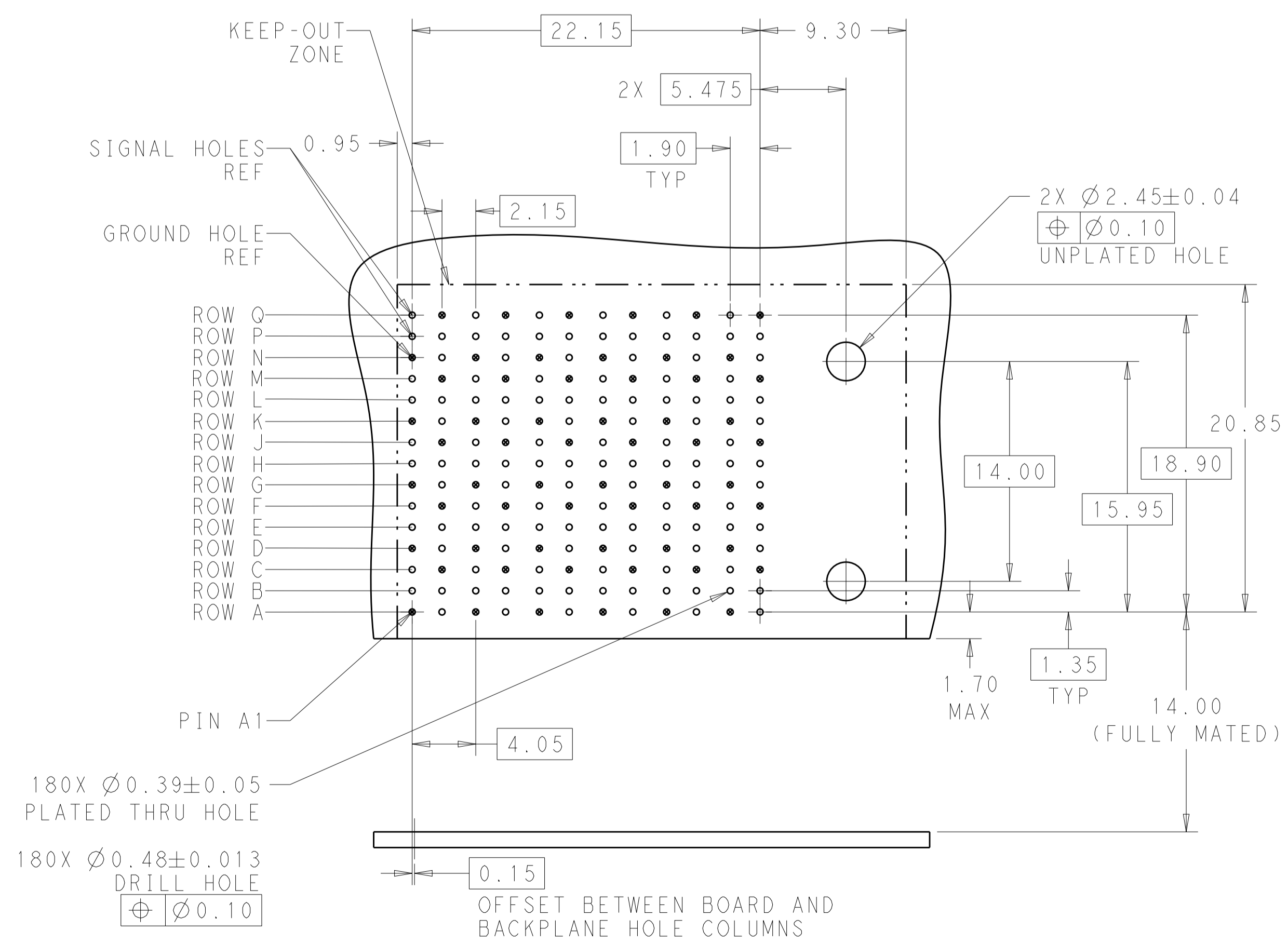
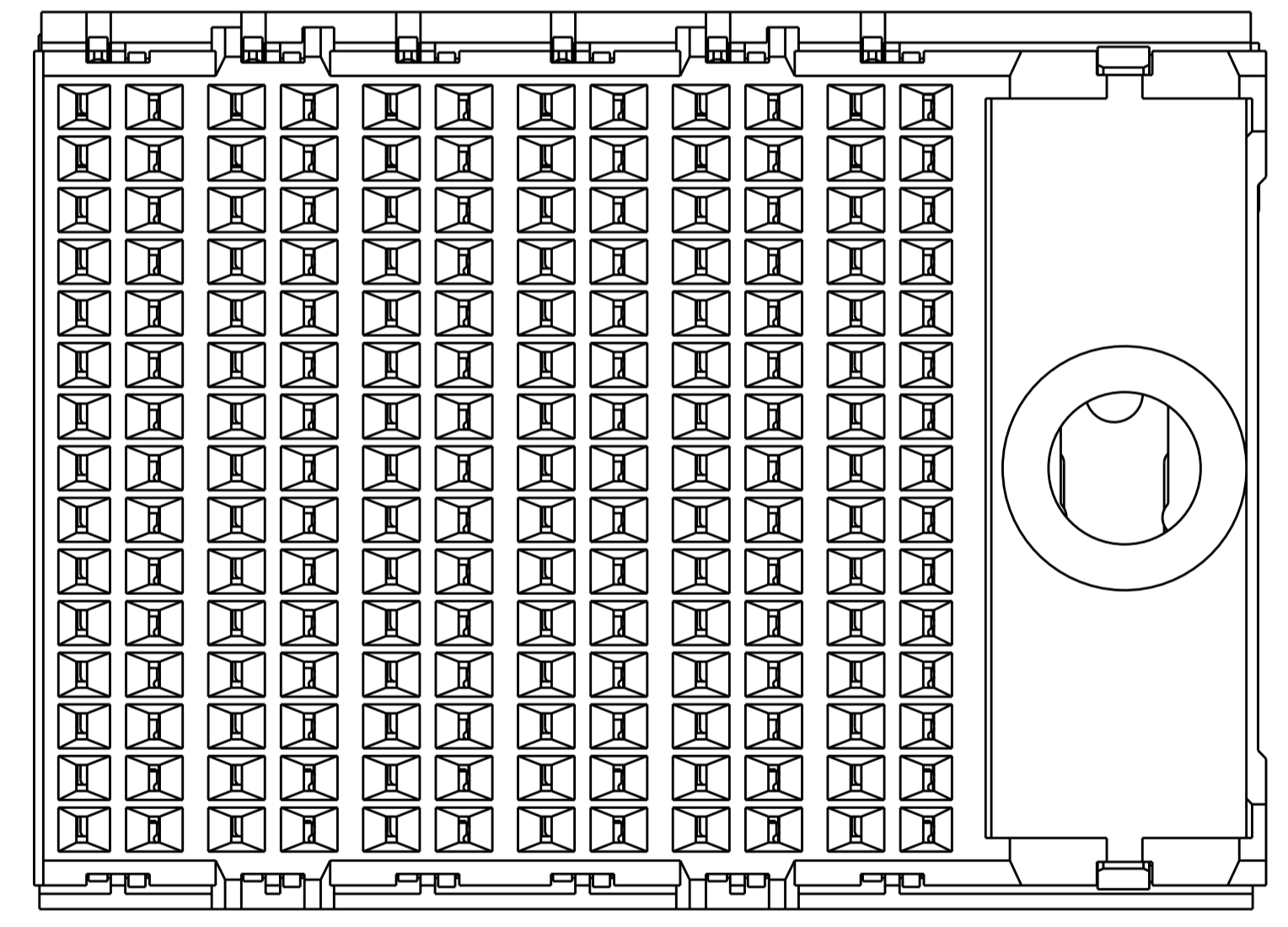


- ⚠ MATERIAL:  
HOUSING: LCP, GLASS FILLED, UL94V-0.  
TERMINALS: HIGH PERFORMANCE COPPER ALLOY.
- ⚠ FINISH:  
30µ" SELECTIVE GOLD IN CONTACT AREA. SELECTIVE TIN ON PCB TAILS, NICKEL OVERALL.
- 3. CONNECTORS SUPPLIED WITH MOUNTING SCREWS.



SCALE 4:1

REFER TO WWW.TE.COM FOR PRODUCT AVAILABILITY



180X Ø0.39±0.05 PLATED THRU HOLE  
 180X Ø0.48±0.013 DRILL HOLE  
 Ø0.10

RECOMMENDED PCB LAYOUT  
 MIN BOARD THICKNESS 1.0

NONE	⚠	2132697-1
KEY POSITION	FINISH	PART NUMBER

THIS DRAWING IS A CONTROLLED DOCUMENT.		DWN - 29APR2011	TE Connectivity
DIMENSIONS: mm		CHK D. DIXON 29APR2011	
TOLERANCES UNLESS OTHERWISE SPECIFIED:		APVD D. DIXON 29APR2011	NAME: IMPACT, ORTHOGONAL, 5 PAIR, DAUGHTERCARD, 12 COLUMN, RIGHT GUIDED, SIGNAL MODULE, 0.39 EYELET
0 PLC ± 1 PLC ±0.25 2 PLC ±0.15 3 PLC ± 4 PLC ± ANGLES ±		PRODUCT SPEC	
MATERIAL		APPLICATION SPEC	SIZE: CAGE CODE DRAWING NO. RESTRICTED TO
FINISH: SEE TABLE		WEIGHT	A100779C=2132697
		CUSTOMER DRAWING	SCALE 6:1 SHEET 1 OF 1 REV D