

Data sheet

Keystone 19 inch module frame 1RU 24 port black unequipped, shielded

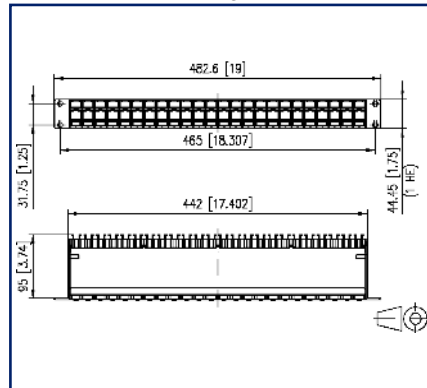
Page 1/5

P/N
130920-BKKE
EAN 4250184153672
2023/04/14
Version: Q

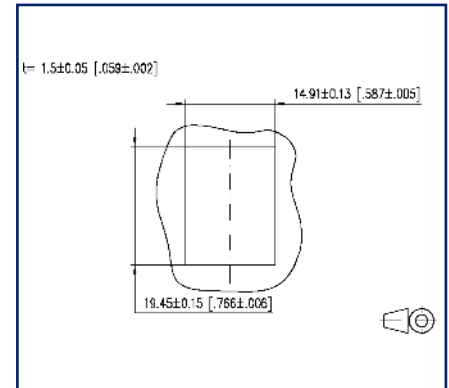
Illustrations



Dimensional drawing



Cut-out



See enlarged drawings at the end of document

Product specification

- 19 inch 1RU module frame for 24 individual modules, Keystone design
- module frame front made of black anodized aluminum
- plastic module support with dust protection covers (other colors available as accessories), detachable to the front
- integrated cable support with optional strain relief
- label window for identification labels
- label sheet 210 x 297 mm see accessories
- grounding bolt M6 x 10 with nut and lock washer
- incl. 30 cm grounding cable
- all fully shielded modules connected by means of grounding rail



P | Cabling

Data sheet

Page 2/5

Keystone 19 inch module frame 1RU 24 port black unequipped, shielded

P/N
130920-BKKE
EAN 4250184153672
2023/04/14
Version: Q

Technical Data

General Data	
Fields of application	office areas
Mechanical measurement according to MICE	M1
Ingress measurement according to MICE	I1
Climatic measurement according to MICE	C1
Electromagnetic measurement according to MICE	E3
Design	patch panel
Shielding	shielded
Color	black
Dimensions	
Dimension (L x W x H)	95 mm x 482.6 mm x 44.5 mm
Dimension (L x W x H)	3.74 in. x 19 in. x 1.752 in.
Inches	19 inches
Height unit	1RU
Modularity	yes
Labeling option	label window with identification label + printed numbers

Connections/interfaces	
Number of ports interface 1	24
Number of equipped ports interface 1	0
Number of ports interface 2	24
Number of ports interface 2 equipped	0
Grounding wire length	0.3 m
Grounding wire length	0.98 ft
Ground connection	grounding bolt M6x10 with nut and lock washer

Mechanical data	
Cut-out	Keystone
strain relief	yes

Materials and material properties	
Material - Subrack	Al (Aluminium)
Material - Subrack finish	black anodized
Material - Module support	ABS
Material - Cable guide	ABS

P | Cabling

Data sheet

Page 3/5

Keystone 19 inch module frame 1RU 24 port black unequipped, shielded

P/N
130920-BKKE
EAN 4250184153672
2023/04/14
Version: Q

Technical Data

Materials and material properties

Material - Dust protection	ABS
Material - Label window	ABS, transparent
Halogen free	yes
RoHS	compliant

Environmental conditions

Temperature (min. - max.)	
Temperature - Storage °C	-40 °C - 70 °C
Temperature - Storage °F	-40 °F - 158 °F
Temperature - Operating °C	-40 °C - 70 °C
Temperature - Operating °F	-40 °F - 158 °F

Classifications

ETIM 5.0	EC001128
ETIM 6.0	EC001128
ETIM 7.0	EC002006
ETIM 8.0	EC002006
ETIM 9.0	EC002006

Packing details

Type of packaging	1 pc(s) / box
Packaging unit - Weight (gram)	563 g
Packaging unit - Weight (pound)	1.24 lb
Packaging dimension	520 mm x 180 mm x 46 mm
Packaging dimension	20.472 in. x 7.087 in. x 1.811 in.

Keystone 19 inch module frame 1RU 24 port black unequipped, shielded

P/N
130920-BKKE

EAN 4250184153672

2023/04/14

Version: Q

Accessories

P/N	Designation
130792	Mounting kit, cage nuts M6
130898-0003KI	Keystone BLIND module light gray
130898-0029KI	Keystone BLIND module black
130898-0103KI	COAX modul F jack / F jack, Keystone
130898-0203KI	COAX modul IEC jack / F jack, Keystone
130898-0303KI	COAX modul IEC plug / F jack, Keystone
130910KI	E-DAT modul Cat.6 _A K jack - Keystone style
130910KZ	E-DAT modul Cat.6 _A K jack - Keystone style (12 pcs)
1309A0-I	E-DAT modul coupler 8(8) 180° class E _A
130A08-I-B1	UTP modul Cat.5e white
130A10-29-I-B1	UTP modul 8(8) Cat.6 black
130A10-I-B1	UTP modul 8(8) Cat.6 white
130A11-29KI	UTP modul 8(8) Cat.6 _A Keystone black
130A11KI	UTP modul 8(8) Cat.6 _A Keystone white
130B21-25-E	25Gmodul - Keystone
130B21-25-Z	25Gmodul - Keystone style (12 pcs)
130B21-E	C6 _A modul K 180° jack - keystone style
130B21-Z	C6 _A modul K 180° jack - Keystone style (12 pcs)
15091071-I	OpDAT modul LC-Duplex OS2
15091072-I	OpDAT modul LC-Duplex OM3
15091075-I	OpDAT modul LC-Duplex OM4
15091076-I	OpDAT modul LC-Duplex APC OS2
1509107B-I	OpDAT modul LC-Duplex OM2
816979-0103-I	Dust protection covers for Modul patch panels subway / REG gray
816979-0105-I	Dust protection covers for Modul patch panels subway / REG yellow
816979-0106-I	Dust protection covers for Modul patch panels subway / REG blue
816979-0107-I	Dust protection covers for Modul patch panels subway / REG green
816979-0108-I	Dust protection covers for Modul patch panels subway / REG red
899011-01	Label sheet for Modul patch panels / REG

P | Cabling

Data sheet

Page 5/5

Keystone 19 inch module frame 1RU 24 port black unequipped, shielded

P/N
130920-BKKE

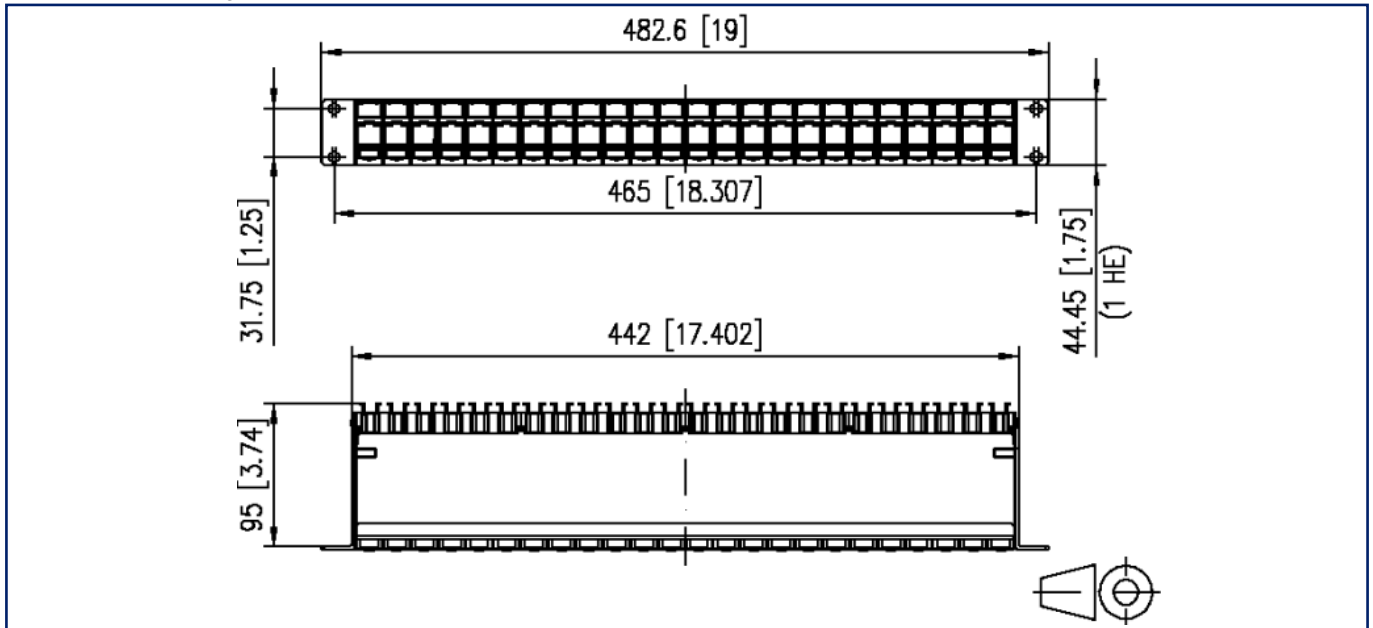
EAN 4250184153672

2023/04/14

Version: Q

Illustrations

Dimensional drawing



Cut-out

