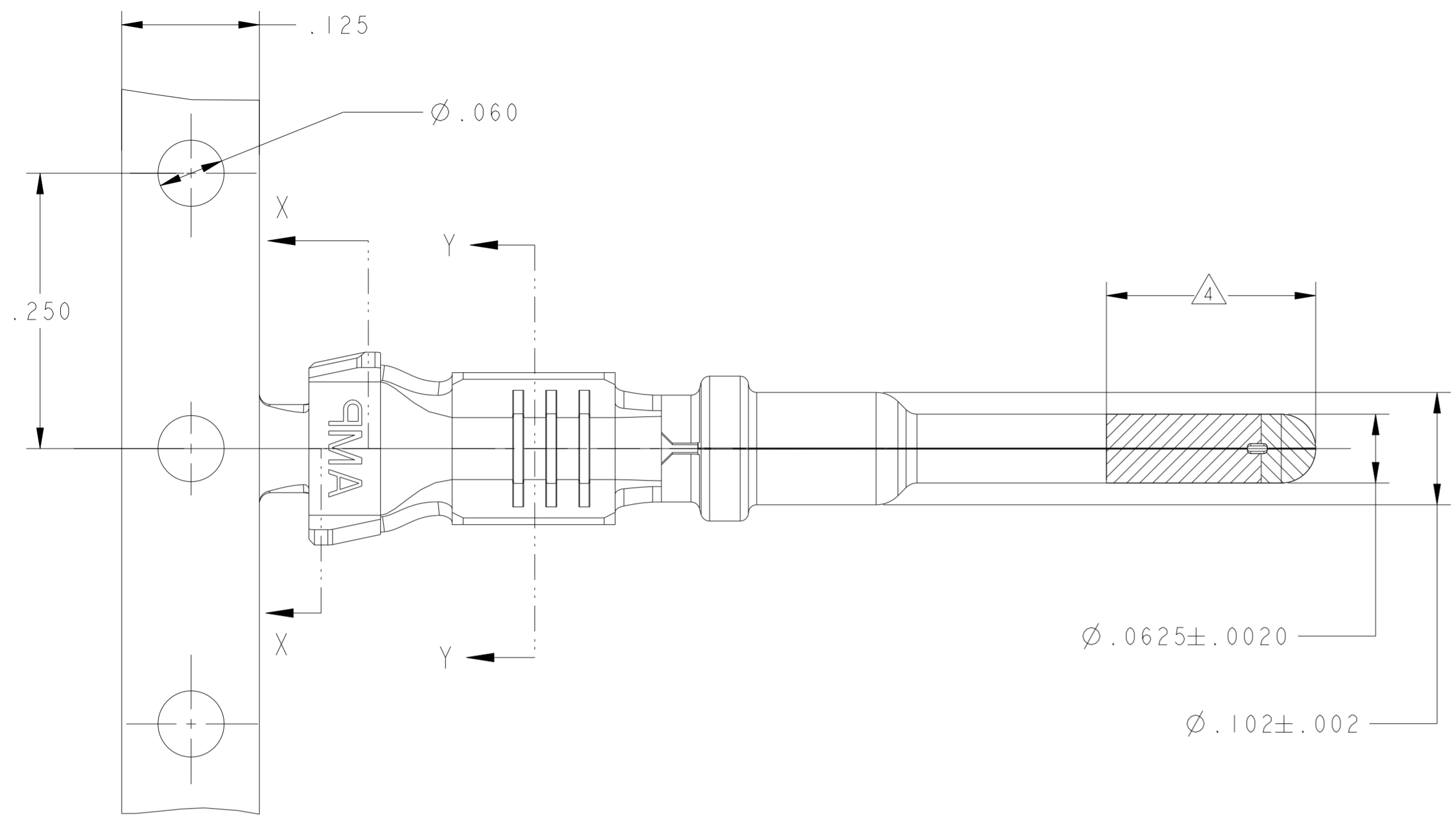
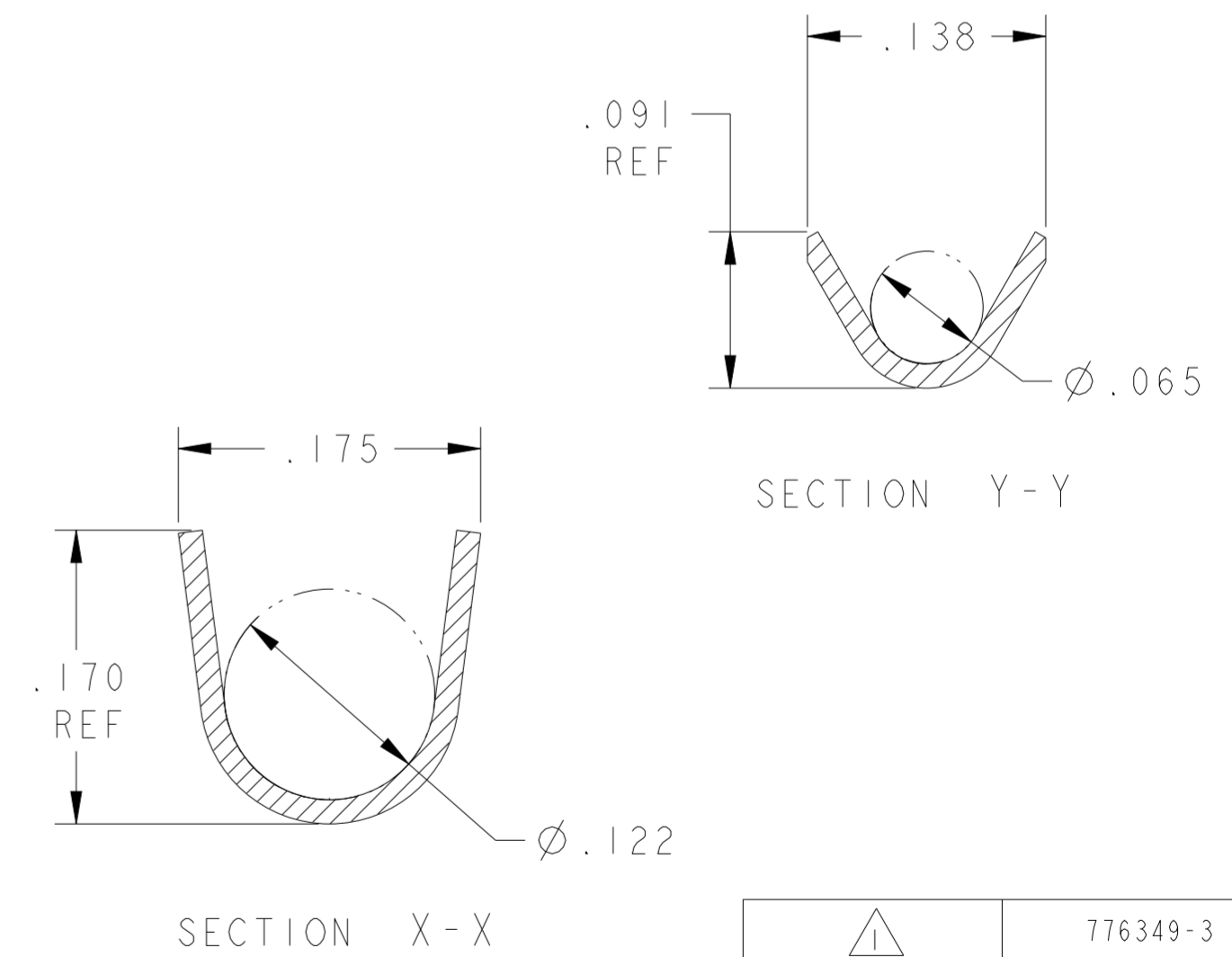
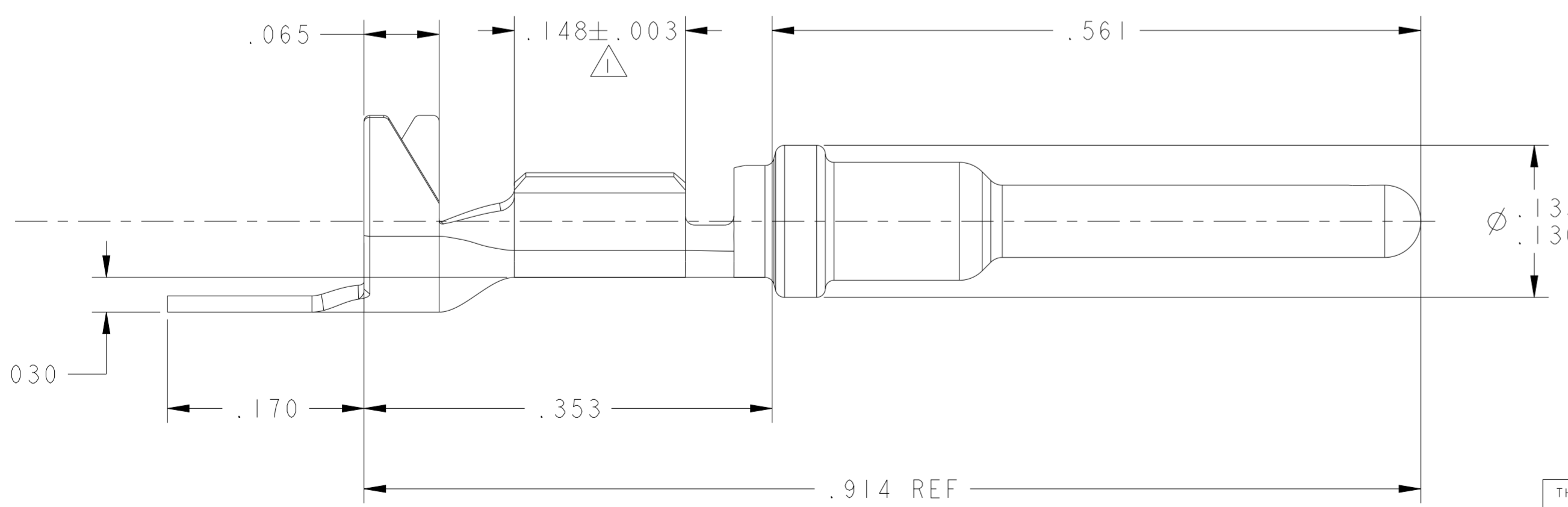


P	LTR	DESCRIPTION	DATE	DWN	APVD
C2		REVISED PER ECO-11-005030	11MAR2011	RK	HMR
C3		REVISED PER PCN-22-148530	27JUL2022	SN	FC



- 1. FINISH : PLATE 0.000100-0.000200 THK TIN IN LOCALIZED TIN PLATE AREA ALL OVER  
0.000040-0.000080 THK NICKEL.
  - 2. CONTACT WILL BE LUBED WITH LUBRICANT PER P/N 22014-4.
  - 3. WIRE RANGE: 20-18 AWG WITH INSULATION DIAMETERS OF 0.089-0.131 INCHES.
4. PLATE 0.000030 MIN THK SELECT GOLD IN LOCALIZED PLATE AREA.



$\triangle 1$	776349-3
$\triangle 1$ $\triangle 4$	776349-1
<b>FINISH</b>	<b>PART NUMBER</b>

THIS DRAWING IS A CONTROLLED DOCUMENT.		DWN P. YEAGER 22FEB2000	<b>STE</b> TE Connectivity	
DIMENSIONS: INCHES		CHK W. LONG 22FEB2000		
TOLERANCES UNLESS OTHERWISE SPECIFIED:		APVD W. LONG 22FEB2000	NAME PIN CONTACT	
0 PLC $\pm$	1 PLC $\pm$	PRODUCT SPEC	-	
2 PLC $\pm .02$	3 PLC $\pm .005$	APPLICATION SPEC	-	
4 PLC $\pm$	ANGLES $\pm$	WEIGHT	-	
MATERIAL 0.014 TK CU ALLOY	FINISH -	CUSTOMER DRAWING	SIZE A200779	DRAWING NO C-776349
			SCALE 10:1	SHEET 1 OF 1
			REV C3	