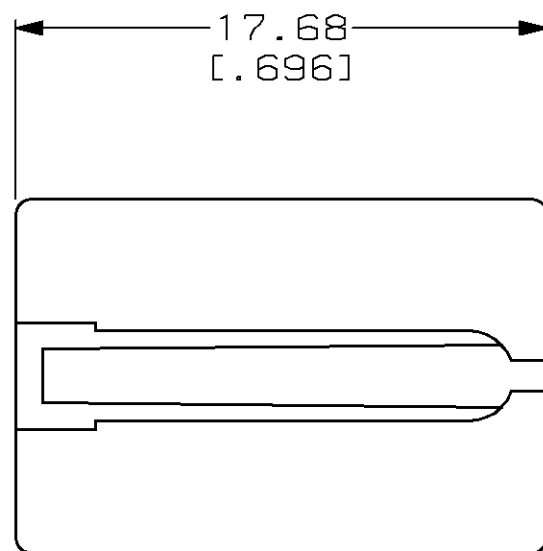
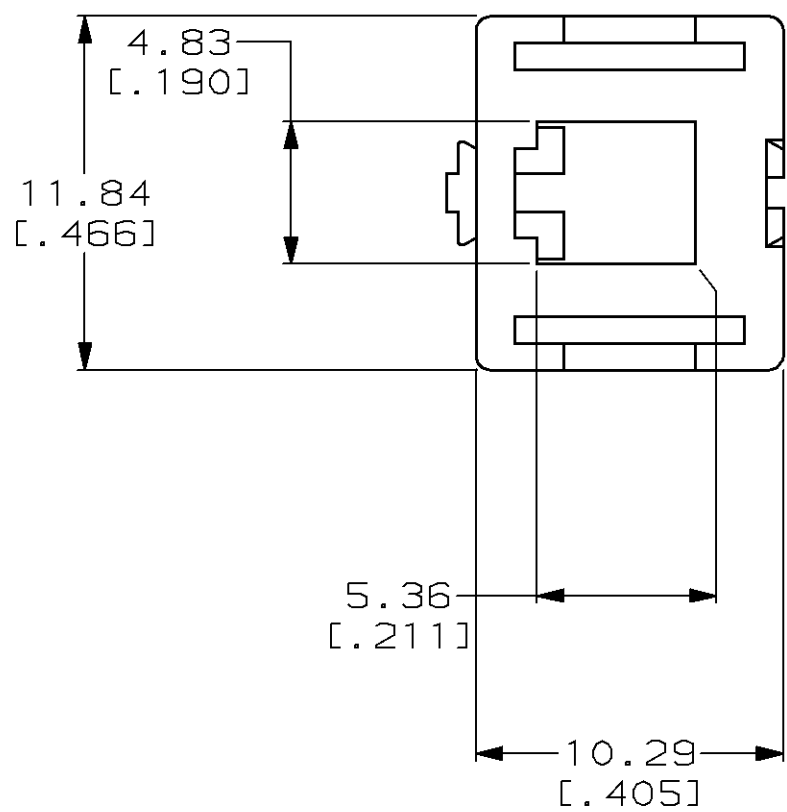
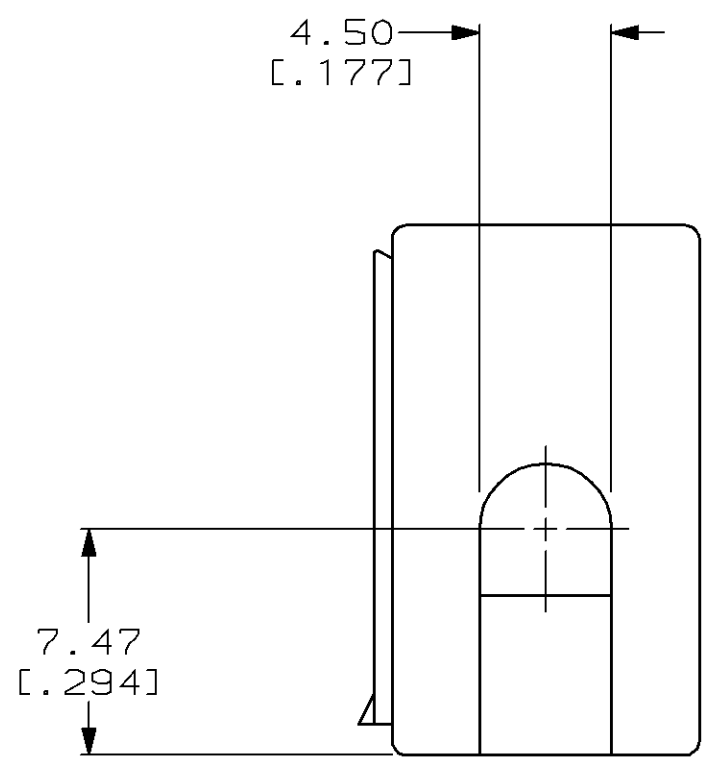


THIS DRAWING IS UNPUBLISHED. RELEASED FOR PUBLICATION, 19 .
 © COPYRIGHT 19 BY AMP INCORPORATED. ALL INTERNATIONAL RIGHTS RESERVED.

LOC	DIST	P	F	ZONE	LTR	DESCRIPTION	DATE	APPD
FT	60				0	RELEASED; NPR C91-76	1-18-92	SH
					A	REV PER EC 0320-68-97	06 MAR 97	MM



- 1. MATERIAL: POLYCARBONATE MOLDING COMPOUND, BLACK.
- 2. APPLICATION: USED TO MOUNT WIRE-TO-WIRE HOUSINGS BOTH IN THRU-PANEL AND HORIZONTAL TO PANEL MOUNTING APPLICATIONS.
- 3. DIMENSIONS MAXIMUM UNLESS OTHERWISE SPECIFIED.
- 4. REFER TO INSTRUCTION SHEET IS3277 FOR RECOMMENDED MOUNTING INSTRUCTIONS, HOLES AND HARDWARE.

557313-1
PART NO

DO NOT SCALE PRINT. UNLESS SPECIFIED DIMENSIONS IN mm [INCHES] TOLERANCES ON : 2 PLC DEC ± _____ 3 PLC DEC ± _____ ANGLES ± _____	DR 1-20-92 S. MAYBERRY	AMP Incorporated Harrisburg, PA 17105-3608		
	CHK			NAME
MATERIAL	APPD	MOUNTING ADAPTER, WTW, AMPINNERGY™		
△	PRODUCT SPEC 108-1373			
FINISH	APPLICATION SPEC 114-6051	SIZE C	CAGE CODE 00779	DRAWING NO 557313
△	WEIGHT _____	SCALE 4:1	SHEET 1 OF 1	