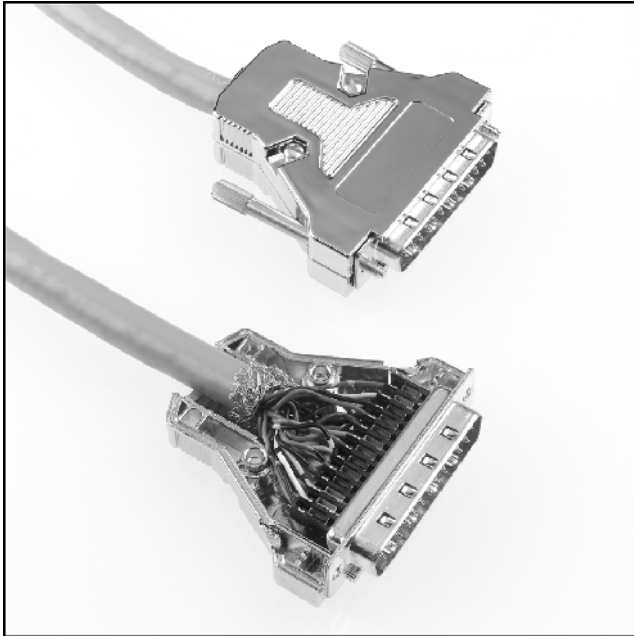


3M™ D Junction Shell

Metalized Plastic EMI Thumbscrew

DDM Series



- Exceptional protection from EMI/ESD shielding
- Easy assembly reduces time and labor to ensure low applied cost
- Light weight, compact design
- Stable thumbscrew retention feature

Date Modified: May 30, 2003

TS-1059-02
Sheet 1 of 2

Physical

Shell

Material: FR-ABS

Flammability: UL 94V-0

Plating: Nickel Over Copper

Grommet

Material: EPDM Rubber

Hardware

Material: Steel

Plating: Zinc

Mounting Hardware: See Specification Sheet TS-0142

Environmental

Temperature Rating: -65° to +105°

UL File No.: E68080

3M
Interconnect Solutions
<http://www.3M.com/interconnects/>

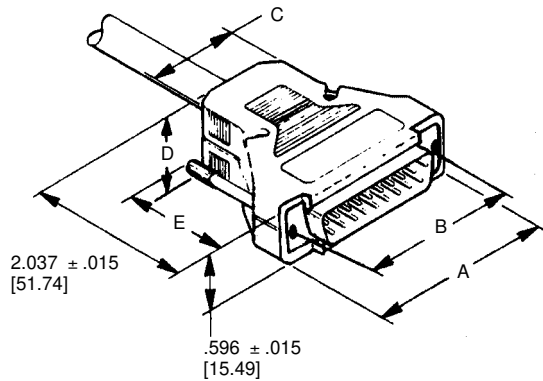
3M is a trademark of 3M Company.
For technical, sales or ordering information call
800-225-5373

3M™ D Sub Junction Shell

Metalized Plastic EMI Thumbscrew

DDM Series

Connector Size	A	B	C	D	E	Max. Cable Diameter	Min. Cable Diameter
9	1.353 [34.37]	.984 [24.99]	.777 [19.74]	.516 [13.11]	1.590 [40.39]	.365 [9.27]	.150 [3.81]
15	1.683 [42.75]	1.312 [33.32]	.995 [25.27]	.596 [15.14]	2.340 [59.44]	.435 [11.05]	.200 [5.08]
25	2.230 [56.64]	1.852 [47.04]	1.090 [27.69]	.680 [17.27]	2.340 [59.44]	.530 [13.45]	.250 [6.35]
37	2.879 [73.13]	2.500 [63.50]	1.270 [32.26]	.800 [20.32]	2.340 [59.44]	.650 [16.51]	.300 [7.62]



Junction Shell



Inch
[mm]

Tolerance Unless Noted			
	.0	.00	.000
Inch	±.1	±.01	±.005

[] Dimensions for Reference only

Ordering Information

DDM-XX-XXX-1-BSK1

Product Series

DDM = For use with D-Subminiature Connectors.

Connector Sizes:

- 9 = 9 Contacts
- 15 = 15 Contacts
- 25 = 25 Contacts
- 37 = 37 Contacts

Maximum Cable Diameter:

- .365" = 9 Contacts Max.
- .435" = 15 Contacts Max.
- .530" = 25 Contacts Max.
- .650" = 37 Contacts Max.

Shell Finish

- 1 = Nickel Plated

Mounting Hardware:

- 1 = #4-40 screws

Packaging

- Configuration:
- K = Kit Packaging

Product Name:

- BS = Backshells

TS-1059-02
Sheet 2 of 2

Important Notice

All statements, technical information, and recommendations related to 3M's products are based on information believed to be reliable, but the accuracy or completeness is not guaranteed. Before using this product, you must evaluate it and determine if it is suitable for your intended application. You assume all risks and liability associated with such use. Any statements related to the product which are not contained in 3M's current publications, or any contrary statements contained on your purchase order shall have no force or effect unless expressly agreed upon, in writing, by an authorized officer of 3M.



Electronic and Interconnect Solutions Division

6801 River Place Blvd.
Austin, TX 78726-9000
www.3M.com/eisd

Warranty; Limited Remedy; Limited Liability.

This product will be free from defects in material and manufacture for a period of 1 year from the date of purchase. **3M MAKES NO OTHER WARRANTIES INCLUDING, BUT NOT LIMITED TO, ANY IMPLIED WARRANTY OF MERCHANTABILITY OR FITNESS FOR A PARTICULAR PURPOSE.** If this product is defective within the warranty period stated above, your exclusive remedy shall be, at 3M's option, to replace or repair the 3M product or refund the purchase price of the 3M product. **Except where prohibited by law, 3M will not be liable for any loss or damage arising from this 3M product, whether direct, indirect, special, incidental or consequential regardless of the legal theory asserted.**