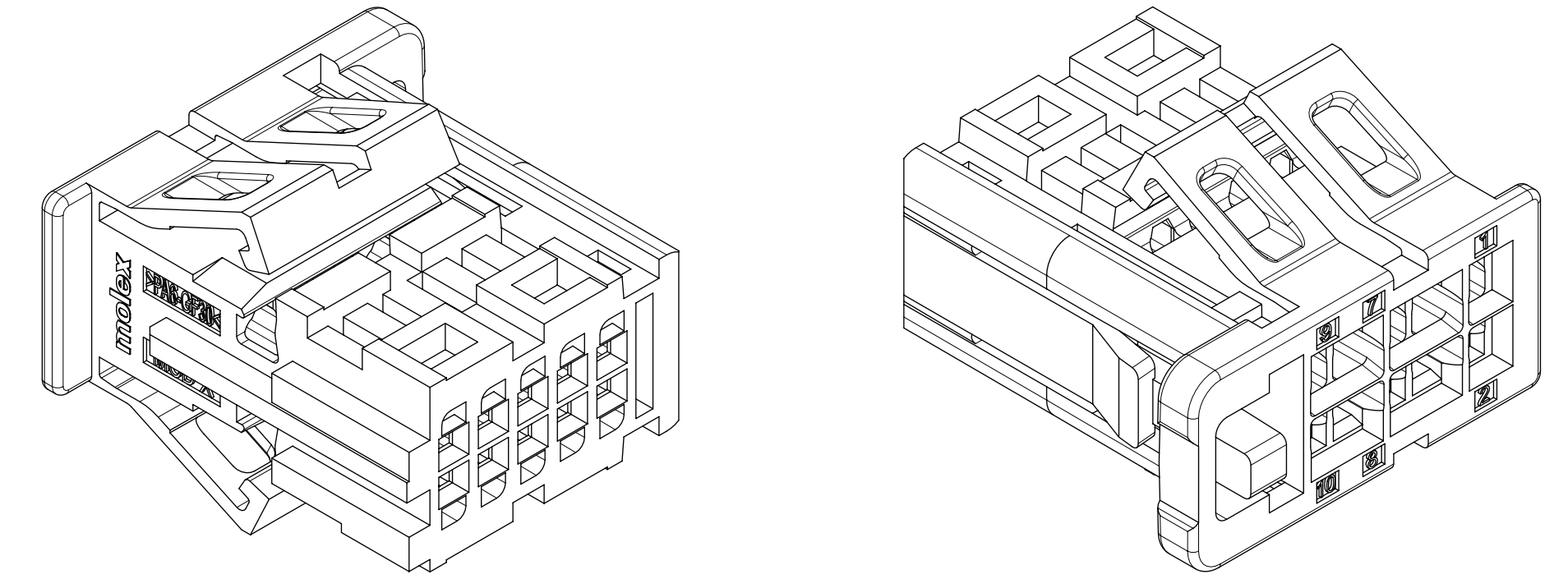


EXAMPLE:

PN 2058264081
 205826 - SERIES NUMBER: RECEPTACLE / CPA ASSEMBLY
 4 - TYPE OF COMPONENT: 2CKT DEPOPULATED (CPA)
 08 - 08 USABLE CIRCUITS
 1 - KEY A

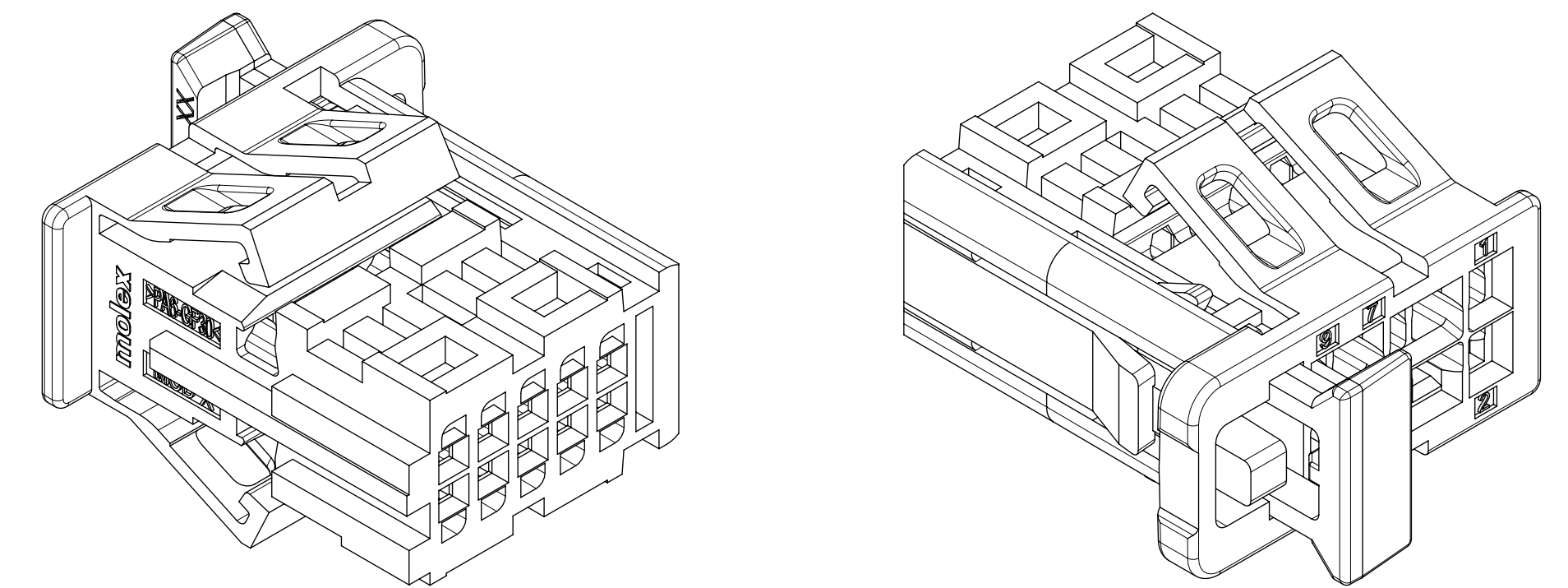
FINAL PART: 08CKT RECT/CPA ASSY - KEY A

**RECEPTACLE
 10CKT SHOWN:**



| | SERIES NUMBERS (AAAAAA) | TYPE OF COMPONENT (B) | USABLE CIRCUITS (CC) | KEY (D) |
|--------------|---|---|----------------------|-----------|
| ON DRAWING | 205825 - DR RECEPTACLE | 2 - STD MATL; FULLY POPULATED 4 - STD MATL; LAST 2 CKTS DEPOPULATED / UNUSABLE | 02 - 2 Circuits | 1 - KEY A |
| MATING PARTS | 205826 - DR RECEPTACLE / CPA ASSEMBLY | | ... | 2 - KEY B |
| | 206957 - DR VERTICAL SMT STANDARD PERFORMANCE HEADER | | ... | 3 - KEY C |
| | 206958 - DR RIGHT ANGLE SMT STANDARD PERFORMANCE HEADER | | 22 - 22 Circuits | 4 - KEY D |

**RECEPTACLE WITH CPA
 08CKT SHOWN:**



| INTERFACE | INTERFACE CKT SIZE | DIM A | DIM B | DIM C | KEY | COLOR | RECEPTACLE ONLY | | RECEPTACLE WITH CPA | | PART STATUS |
|-----------|--------------------|-------|-------|-------|-----|---------|-----------------|-----------------|---------------------|-----------------|--------------------------|
| | | | | | | | PART NUMBER | USABLE CIRCUITS | PART NUMBER | USABLE CIRCUITS | |
| 1.4 | 4 | 10.56 | 7.48 | 0.20 | A | BLACK | 2058252041 | 4 | 2058264021 | 2 | INQUIRE FOR AVAILABILITY |
| | | | | | B | NATURAL | 2058252042 | 4 | 2058264022 | 2 | |
| | | | | | C | BLUE | 2058252043 | 4 | 2058264023 | 2 | |
| | | | | | D | VIOLET | 2058252044 | 4 | 2058264024 | 2 | |
| 1.4 | 6 | 12.36 | 9.28 | 1.10 | A | BLACK | 2058252061 | 6 | 2058264041 | 4 | INQUIRE FOR AVAILABILITY |
| | | | | | B | NATURAL | 2058252062 | 6 | 2058264042 | 4 | |
| | | | | | C | BLUE | 2058252063 | 6 | 2058264043 | 4 | |
| | | | | | D | VIOLET | 2058252064 | 6 | 2058264044 | 4 | |
| 1.4 | 8 | 14.16 | 11.08 | 2.00 | A | BLACK | 2058252081 | 8 | 2058264061 | 6 | INQUIRE FOR AVAILABILITY |
| | | | | | B | NATURAL | 2058252082 | 8 | 2058264062 | 6 | |
| | | | | | C | BLUE | 2058252083 | 8 | 2058264063 | 6 | |
| | | | | | D | VIOLET | 2058252084 | 8 | 2058264064 | 6 | |
| 1.4 | 10 | 15.96 | 12.88 | 2.90 | A | BLACK | 2058252101 | 10 | 2058264081 | 8 | AVAILABLE |
| | | | | | B | NATURAL | 2058252102 | 10 | 2058264082 | 8 | |
| | | | | | C | BLUE | 2058252103 | 10 | 2058264083 | 8 | |
| | | | | | D | VIOLET | 2058252104 | 10 | 2058264084 | 8 | |
| 1.4 | 12 | 17.76 | 14.68 | 3.80 | A | BLACK | 2058252121 | 12 | 2058264101 | 10 | INQUIRE FOR AVAILABILITY |
| | | | | | B | NATURAL | 2058252122 | 12 | 2058264102 | 10 | |
| | | | | | C | BLUE | 2058252123 | 12 | 2058264103 | 10 | |
| | | | | | D | VIOLET | 2058252124 | 12 | 2058264104 | 10 | |
| 1.4 | 14 | 19.56 | 16.48 | 4.70 | A | BLACK | 2058252141 | 14 | 2058264121 | 12 | INQUIRE FOR AVAILABILITY |
| | | | | | B | NATURAL | 2058252142 | 14 | 2058264122 | 12 | |
| | | | | | C | BLUE | 2058252143 | 14 | 2058264123 | 12 | |
| | | | | | D | VIOLET | 2058252144 | 14 | 2058264124 | 12 | |
| 1.4 | 16 | 21.36 | 18.28 | 5.60 | A | BLACK | 2058252161 | 16 | 2058264141 | 14 | INQUIRE FOR AVAILABILITY |
| | | | | | B | NATURAL | 2058252162 | 16 | 2058264142 | 14 | |
| | | | | | C | BLUE | 2058252163 | 16 | 2058264143 | 14 | |
| | | | | | D | VIOLET | 2058252164 | 16 | 2058264144 | 14 | |
| 1.4 | 18 | 23.16 | 20.08 | 6.50 | A | BLACK | 2058252181 | 18 | 2058264161 | 16 | INQUIRE FOR AVAILABILITY |
| | | | | | B | NATURAL | 2058252182 | 18 | 2058264162 | 16 | |
| | | | | | C | BLUE | 2058252183 | 18 | 2058264163 | 16 | |
| | | | | | D | VIOLET | 2058252184 | 18 | 2058264164 | 16 | |
| 1.4 | 20 | 24.96 | 21.88 | 7.40 | A | BLACK | 2058252201 | 20 | 2058264181 | 18 | INQUIRE FOR AVAILABILITY |
| | | | | | B | NATURAL | 2058252202 | 20 | 2058264182 | 18 | |
| | | | | | C | BLUE | 2058252203 | 20 | 2058264183 | 18 | |
| | | | | | D | VIOLET | 2058252204 | 20 | 2058264184 | 18 | |
| 1.4 | 22 | 26.76 | 23.68 | 8.30 | A | BLACK | 2058252221 | 22 | 2058264201 | 20 | AVAILABLE |
| | | | | | B | NATURAL | 2058252222 | 22 | 2058264202 | 20 | |
| | | | | | C | BLUE | 2058252223 | 22 | 2058264203 | 20 | |
| | | | | | D | VIOLET | 2058252224 | 22 | 2058264204 | 20 | |

| | |
|-----|--|
| B2 | CHANGED COLOR OF KEY B FROM GREY TO NATURAL IN THE BOM TABLE |
| B1 | ADDED NOTE 1.7; INTERNAL GEOMETRY CHANGES; REMOVED DIM 2 |
| B | RAISED LATCH PAD ADDED; CPA MAX DIMENSIONS ADJUSTED; BALLOON NUMBERS ADDED; NOTES MODIFIED; CPA COLOR CHANGE |
| A5 | NON FUNCTIONAL CHANGES |
| REV | DESCRIPTION |

INSPECTION BALLOON NUMBER LOG
 PER DRAWING REVISION: B2
 LAST BALLOON USED: 22
 ADDED BALLOON NUMBERS:
 REMOVED BALLOON NUMBERS: 2

THIS DRAWING CONTAINS INFORMATION THAT IS PROPRIETARY TO MOLEX ELECTRONIC TECHNOLOGIES, LLC AND SHOULD NOT BE USED WITHOUT WRITTEN PERMISSION

DIMENSION UNITS: mm SCALE: 5:1

GENERAL TOLERANCES (UNLESS SPECIFIED):
 ANGULAR TOL ± 5.0°
 4 PLACES ± 0.0005
 3 PLACES ± 0.005
 2 PLACES ± 0.05
 1 PLACE ± 0.1
 0 PLACES ± 1.0

THIRD ANGLE PROJECTION MUST REMAIN WITHIN DIMENSIONS

EC NO: 677008
 DRWN: VBALASUBRAMA 2021/09/08
 CHK'D: JDUNAJ 2021/09/08
 APPR: JDUNAJ 2021/09/08

INITIAL REVISION:
 DRWN: ECOLARUSSO 2018/01/31
 APPR: JDUNAJ 2018/03/12

molex

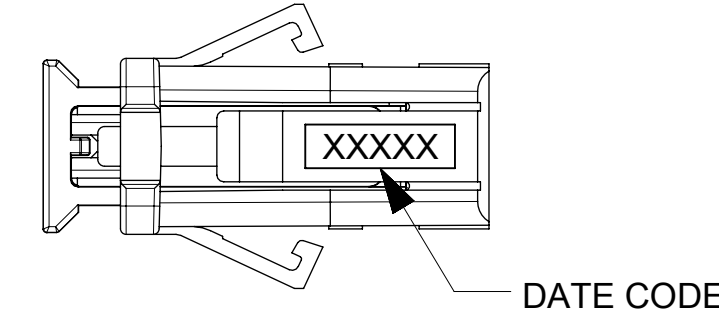
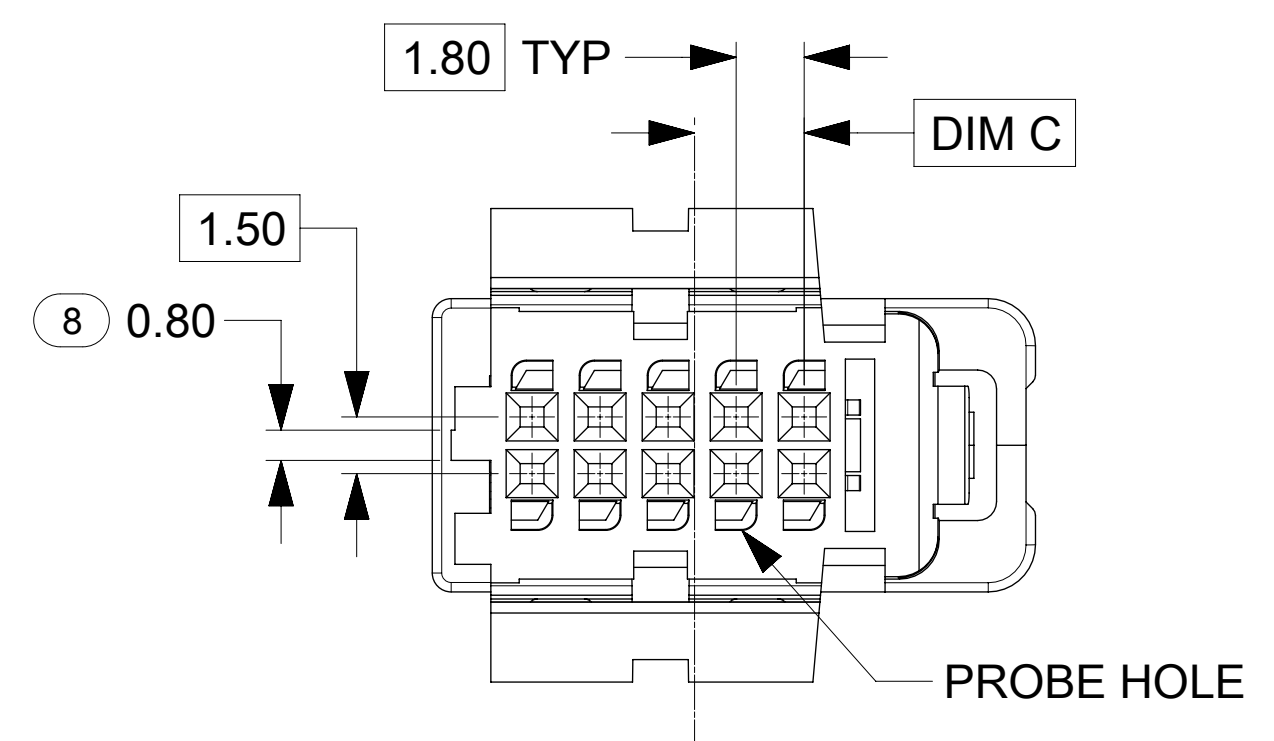
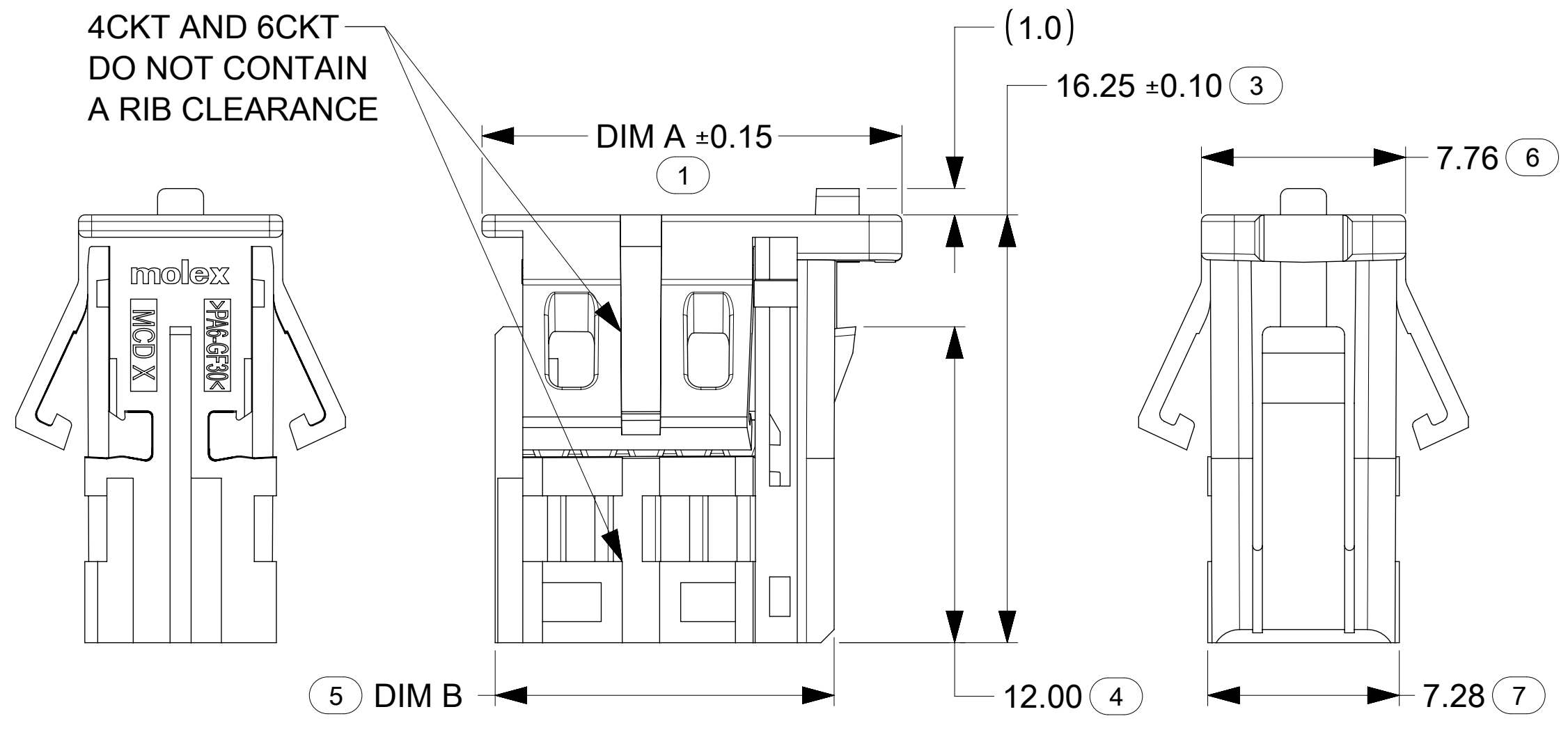
CONNTAK50 DUAL ROW TANG RECEPTACLE & RECEPTACLE/CPA ASSEMBLY

PRODUCT CUSTOMER DRAWING

DOCUMENT NUMBER: 2058250002 DOC TYPE: PSD DOC PART: 000 REVISION: B2

MATERIAL NUMBER: SEE NOTES CUSTOMER: GENERAL MARKET SHEET NUMBER: 1 OF 2

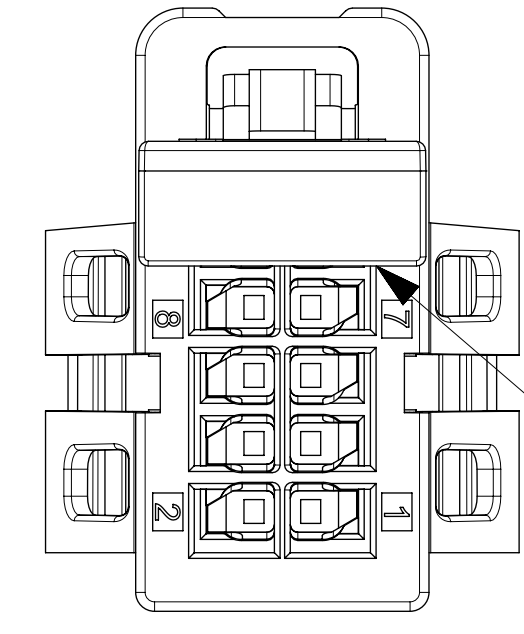
4CKT AND 6CKT
DO NOT CONTAIN
A RIB CLEARANCE



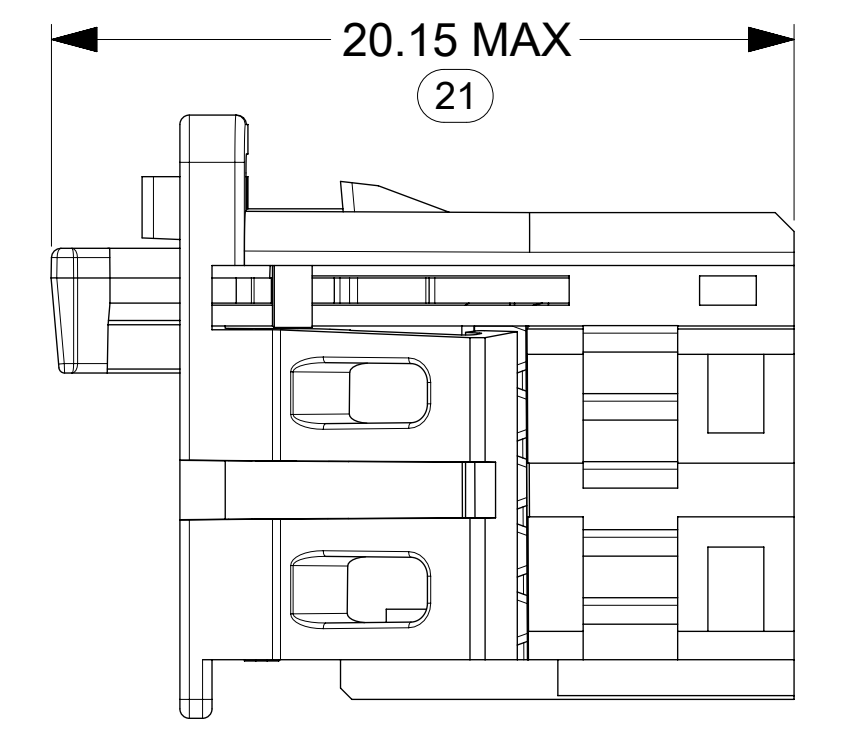
NOTES:

- VALID UNLESS OTHERWISE SPECIFIED
- GENERAL:
 - APPLICATION SPECIFICATION SEE: 2046310000-AS
 - PRODUCT SPECIFICATION SEE: 2046310000-PS
 - PACKAGING SPECIFICATION PER MOLEX DRAWING: PK-31301-695
 - THE MAXIMUM USABLE CIRCUITS WHEN USING THE CPA
 - COMPATIBLE WITH STANDARD AK INTERFACE DRAWING C-114-94000-20 REV A1
 - COMPATIBLE WITH MOLEX AK INTERFACE 2046310002
 - TOLERANCES APPLY IN DRY AS MOLDED STATE ONLY
 - DESIGN - MATERIALS:
 - RECEPTACLE HOUSING:
 - MATERIAL: PA6-GF30%
 - COLOR: SEE PART TABLE
 - CPA
 - MATERIAL: PA6-GF30%
 - COLOR: RED
 - DESIGN - GEOMETRY:
 - GEOMETRIC DIMENSIONS AND TOLERANCES PER ASME Y14.5-2018
 - EDGES AND UNDIMENSIONED DETAILS PER ISO13715
 - CORNERS SHOWN AS SHARP TO BE R 0.2 MAX.
 - MARKED TEXT TO INCLUDE:
 - FOR RECEPTACLE COMPONENT: RECYCLING CODE, CAVITY ID, AND VENDOR IDENTIFICATION.
 - FOR ASSEMBLY ONLY: LASER ETCHED DATE CODE
1ST THROUGH 2ND DIGIT = CALENDAR YEAR
3RD THROUGH 5TH DIGIT = "DAY #" OF YEAR

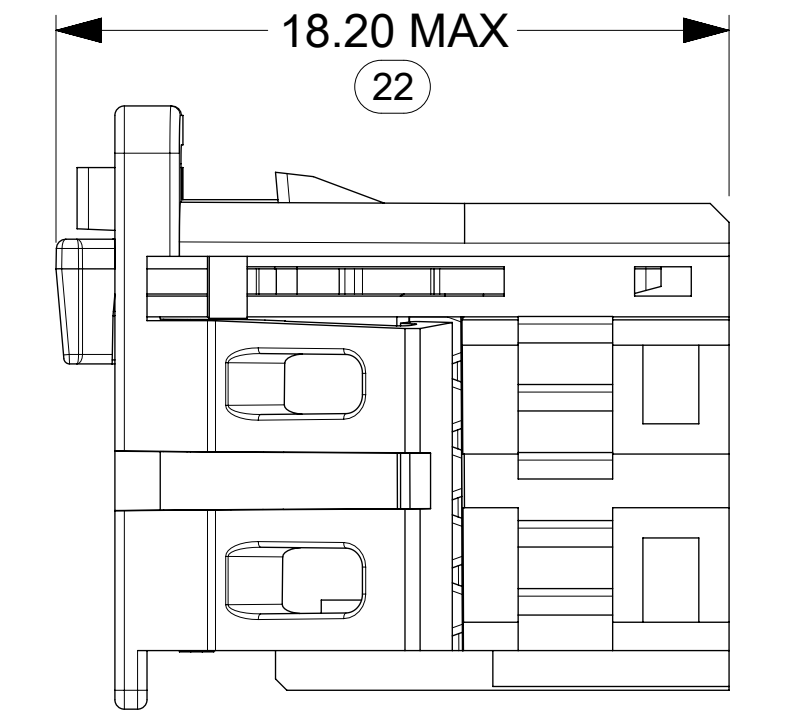
CPA:



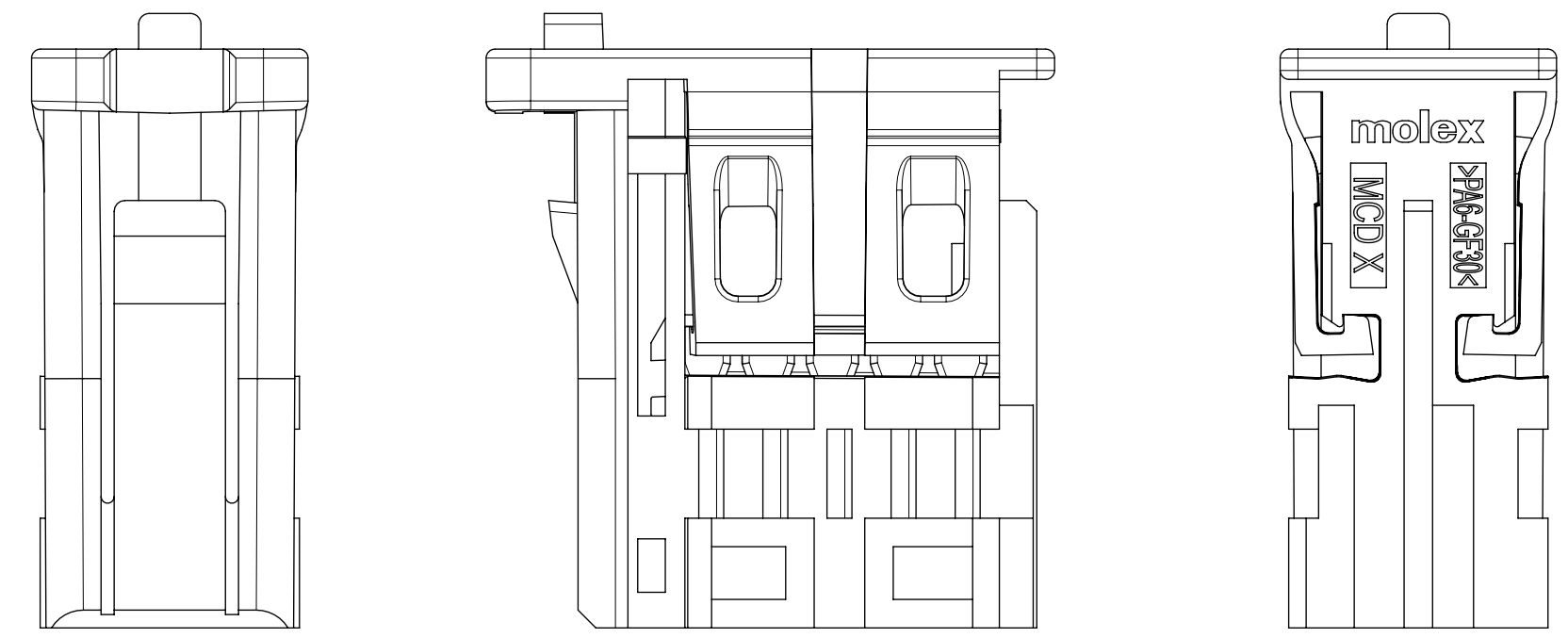
CPA IN PRE-LOCK (AS DELIVERD)



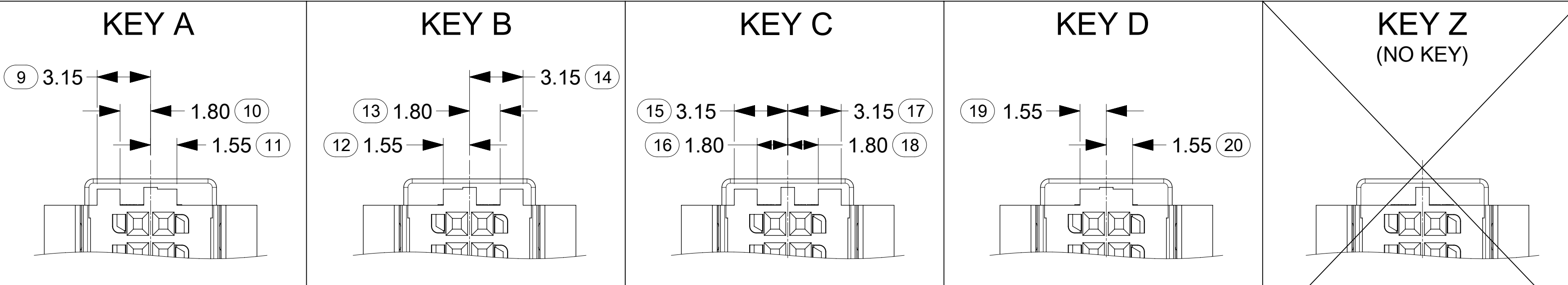
CPA IN FINAL LOCK



ISL IN FINAL LOCK



KEYS / POLARIZATIONS / CODINGS



| | | | | | | | | | |
|---|--|------------------------|--|---------------------|--|----------------|--|-----------------|--|
| THIS DRAWING CONTAINS INFORMATION THAT IS PROPRIETARY TO MOLEX ELECTRONIC TECHNOLOGIES, LLC AND SHOULD NOT BE USED WITHOUT WRITTEN PERMISSION | | | | | | | | | |
| DIMENSION UNITS | | SCALE | | CURRENT REV DESC: | | | | | |
| mm | | 5:1 | | | | | | | |
| GENERAL TOLERANCES (UNLESS SPECIFIED) | | | | | | | | | |
| ANGULAR TOL ± 5.0° | | | | | | | | | |
| 4 PLACES ± 0.0005 | | | | | | | | | |
| 3 PLACES ± 0.005 | | | | | | | | | |
| 2 PLACES ± 0.05 | | | | | | | | | |
| 1 PLACE ± 0.1 | | | | | | | | | |
| 0 PLACES ± 1.0 | | | | | | | | | |
| DRAFT WHERE APPLICABLE MUST REMAIN WITHIN DIMENSIONS | | THIRD ANGLE PROJECTION | | DRAWING | | SERIES | | MATERIAL NUMBER | |
| | | D-SIZE | | 205825 | | 2018/03/12 | | 2058250002 | |
| DOCUMENT STATUS | | | | RELEASE DATE | | CUSTOMER | | SHEET NUMBER | |
| P1 | | | | 2021/09/08 19:32:31 | | GENERAL MARKET | | 2 OF 2 | |

molex

CONNTAK50 DUAL ROW TANG RECEPTACLE & RECEPTACLE/CPA ASSEMBLY

PRODUCT CUSTOMER DRAWING

DOCUMENT NUMBER: 2058250002, DOC TYPE: PSD, DOC PART: 000, REVISION: B2

SEE NOTES, GENERAL MARKET, 2 OF 2