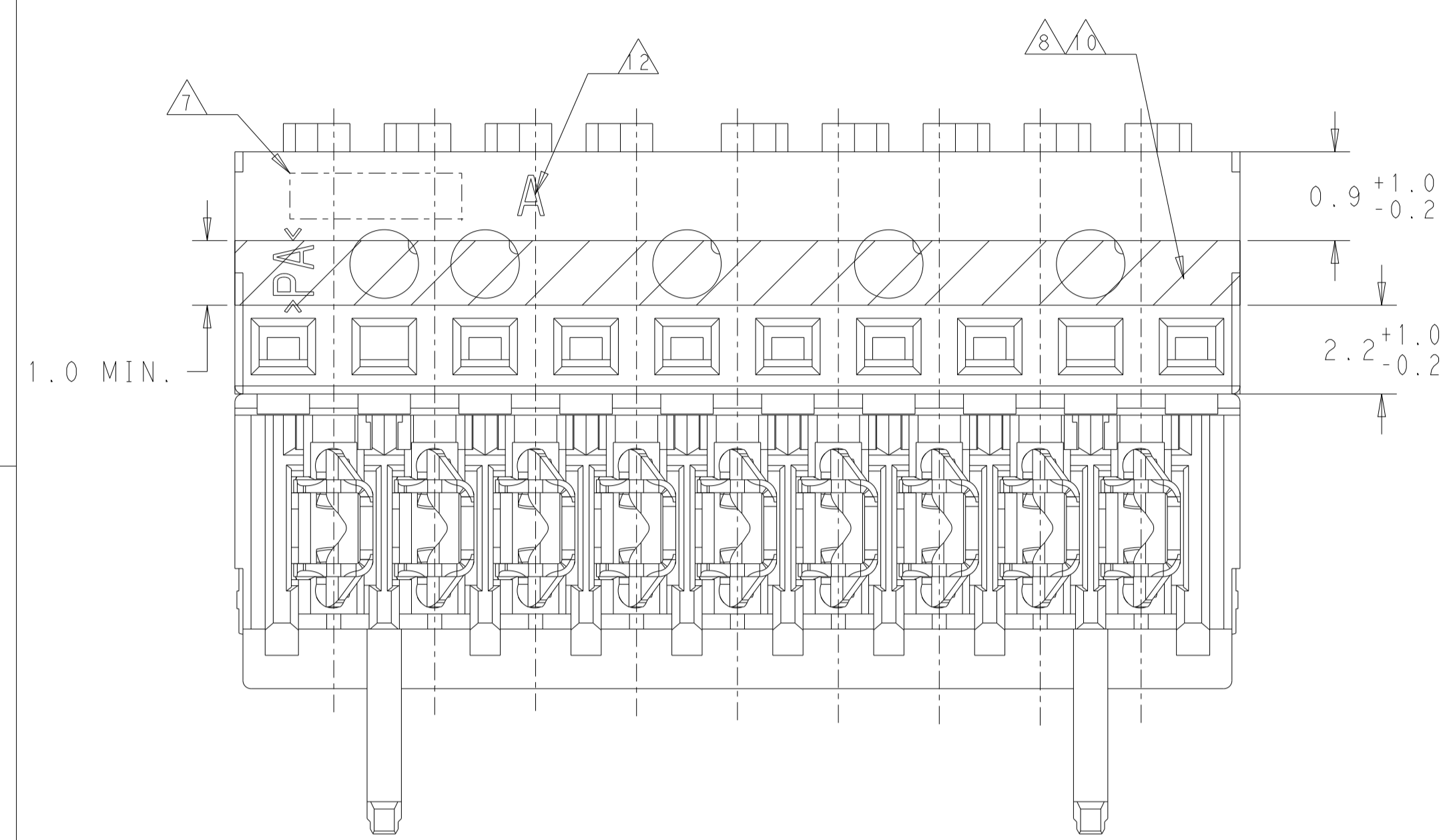
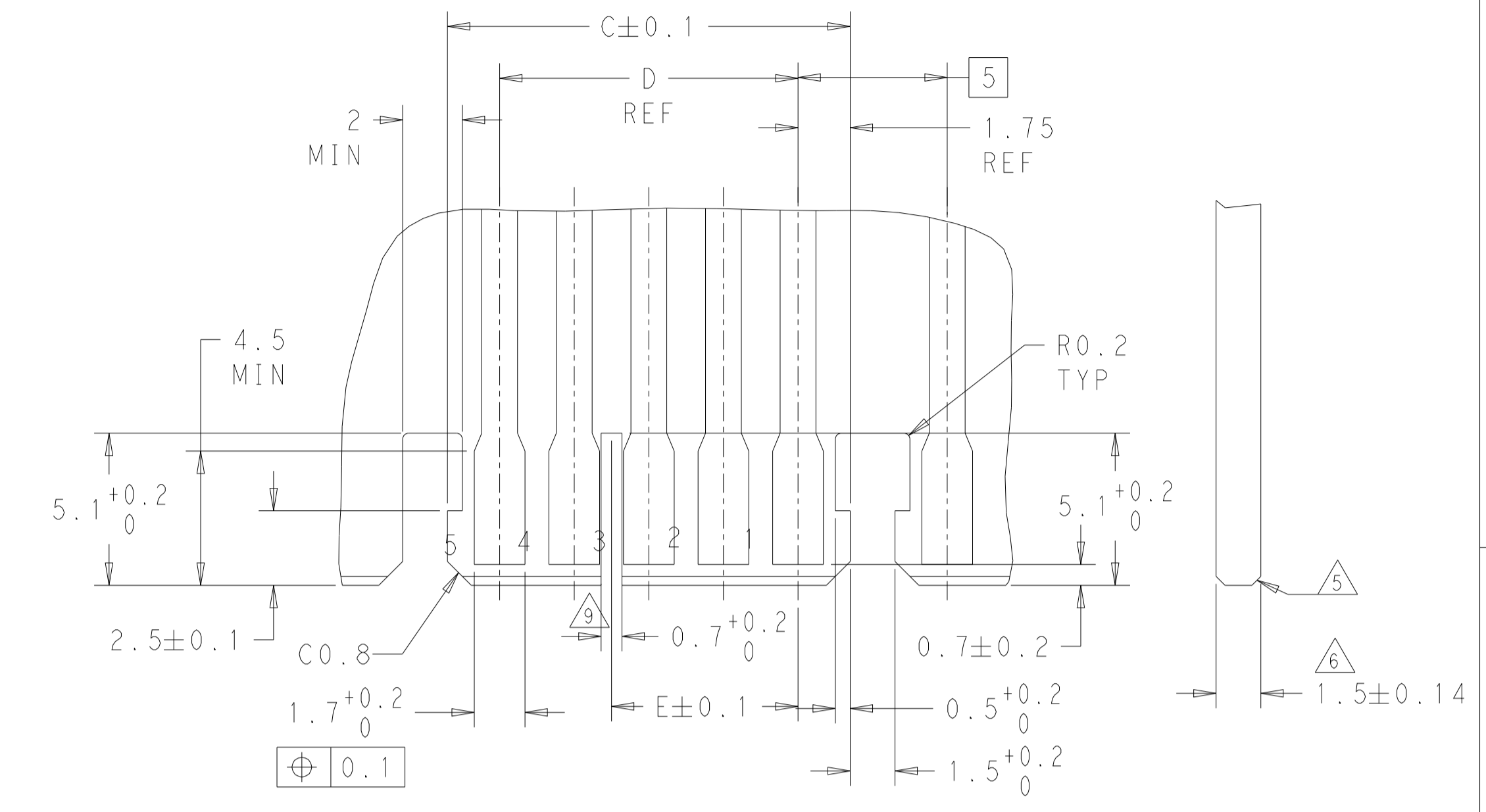


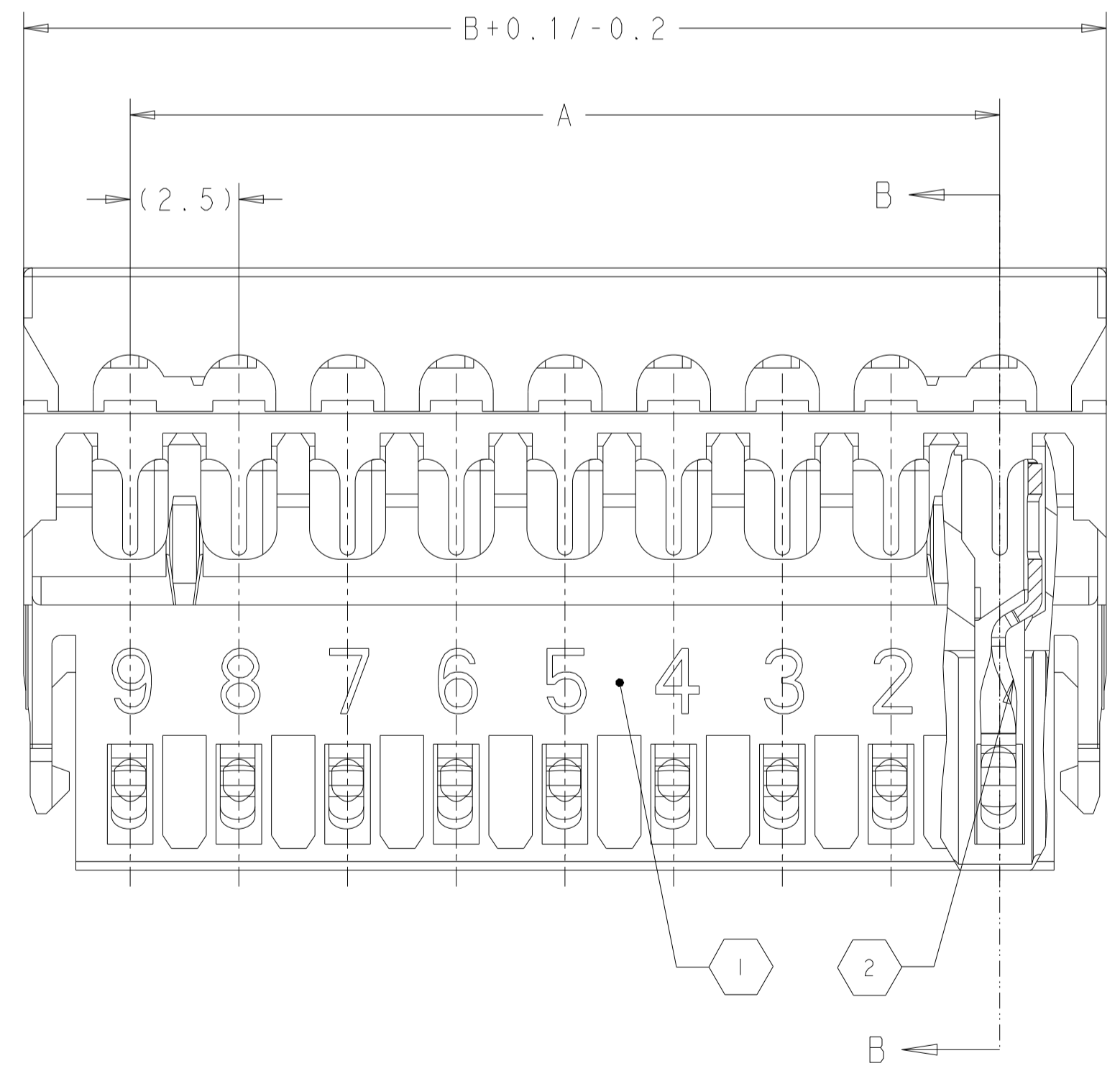
REVISIONS				
P	LTN	DESCRIPTION	DATE	APVD
B18	ECR-21-118573		17NOV2021	SM FL
B19	ECR-22-130961		23MAR2022	SM FL
B20	ECR-22-135129		12APR2022	SM FL
B21	ECR-22-146565		08AUG2022	DC FL



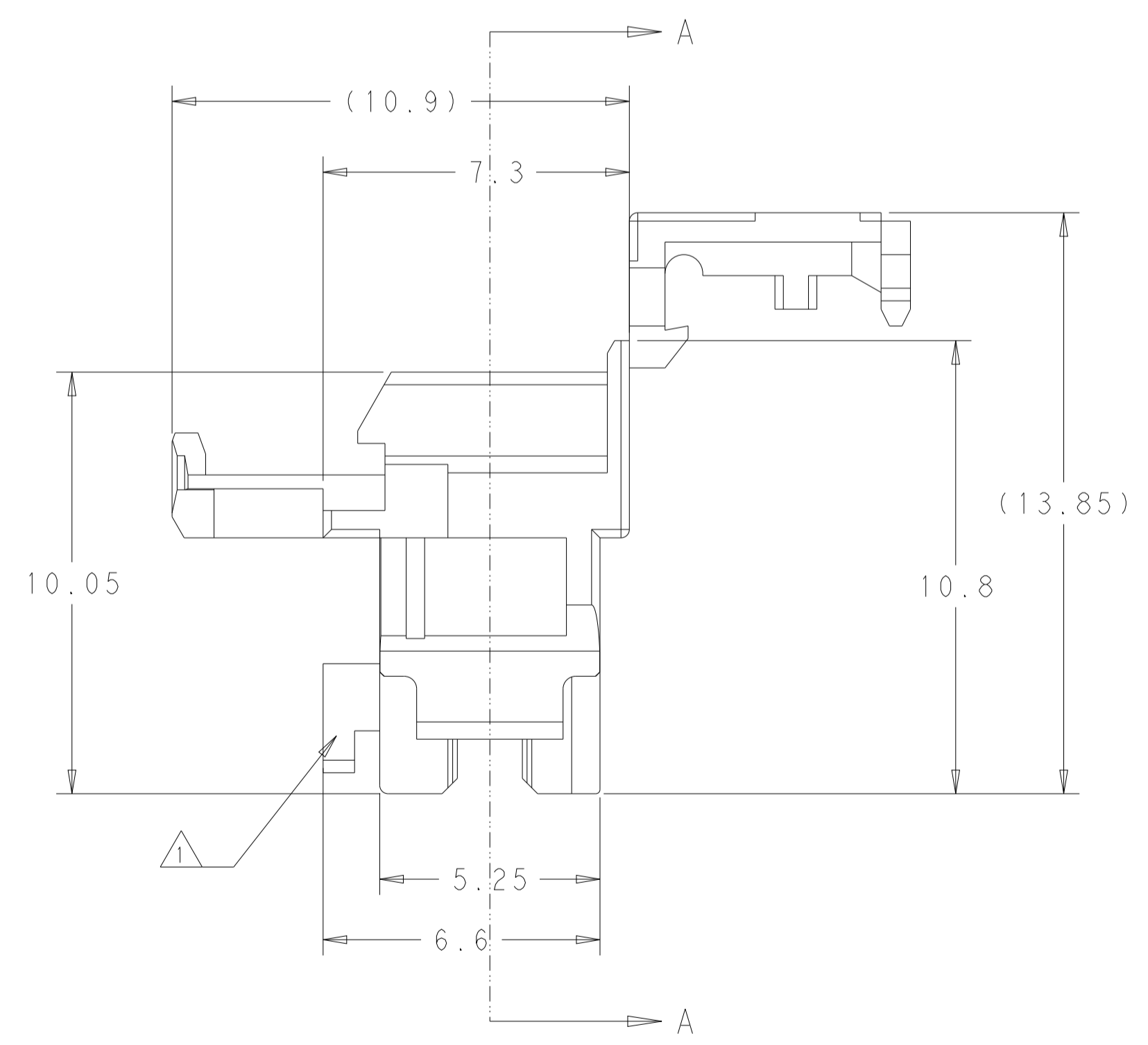
- 1 STRIPE IN YELLOW COLOR WHERE SHOWN PRESENT ON THE PARTS PRODUCED IN TE COLLEGNO ONLY
- 2 PNs WITHOUT THE INTERNAL WALL NEED ASSISTANT GUIDE DURING THE APPLICATION SUCH AS RAST TAB HEADER
- 3 PRELIMINARY PART NOT RELEASED FOR PRODUCTION
- 4 CAVITY NO.
- 5 KEYING, BETWEEN POSITION
- 6 COLOR MARKING IN THIS AREA.
- 7 SLOT FOR KEYING BETWEEN POSITION
- 8 COLOR STRIP ON COVER OF HOUSING. NOT THE COLOR OF HOUSING
- 9 TE LOGO
- 10 INCLUSIVE COPPER LOADING
- 11 PCB PREFERABLY CHAMFERED
- 12 WIRE RANGE: 0.22-0.35mm² SEE APPLICATION SPEC. 114-18467-1
- 13 IEC60695-2-11 / IEC60335-1 GLOW WIRE TEST 750 °C WITHOUT FLAME
- 14 MATING PART: PCB (WITH FRAMES ACC. RAST 2.5 E.G. PN 964 575/576) TABHEADER PN 1971 817/921
- 15 KEYING RIBS; CUTTING WITH TERMINATION MACHINE POSSIBLE



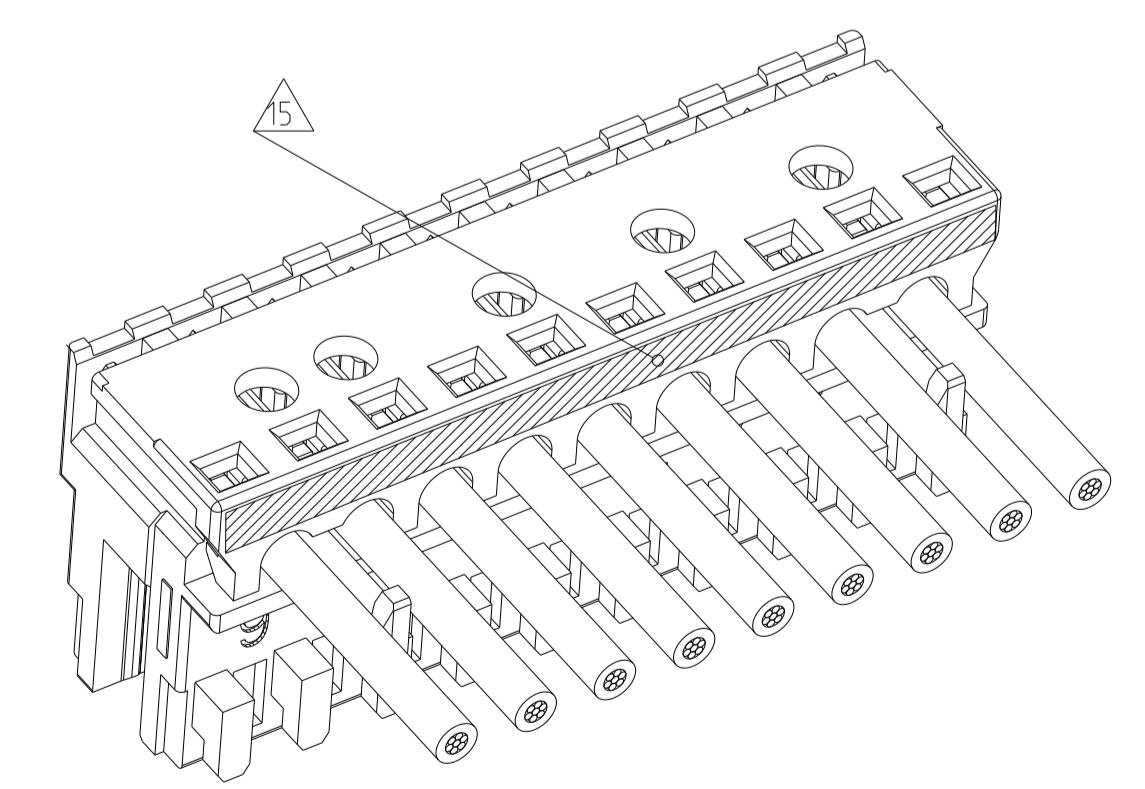
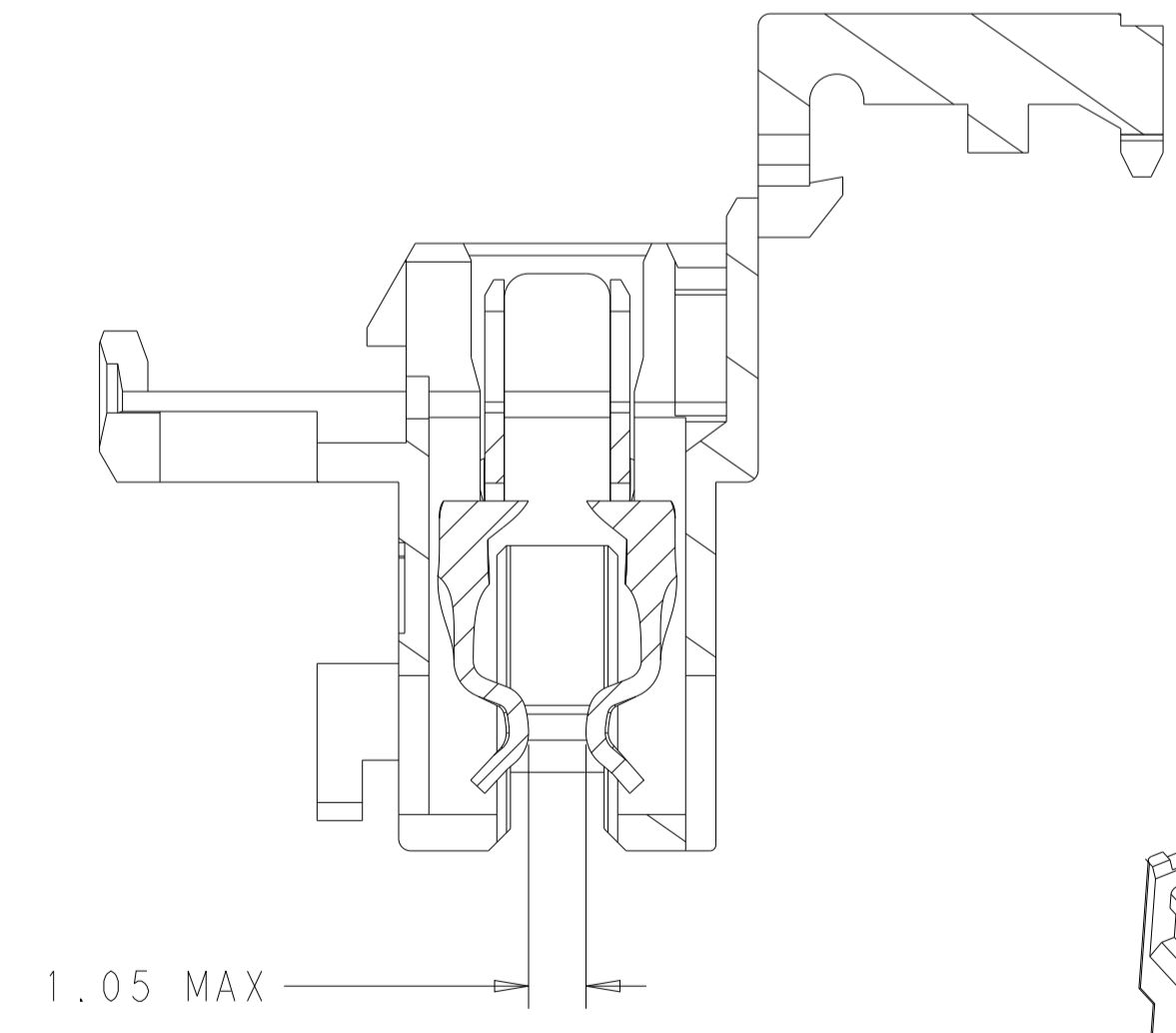
PCB LAYOUT - SOLDERING SIDE



SECTION A-A



SECTION B-B




THIS DRAWING IS A CONTROLLED DOCUMENT.		OWN: Winter Wang 08-Aug-22	TE Connectivity	
DIMENSIONS: mm		CHK: Daniel Zhong 15-Mar-17	NAME: DUOPLUG MARK 11 SIDE LOCKING	
TOLERANCES UNLESS OTHERWISE SPECIFIED:		APVD: Riccardo Robore 15-Mar-17	PRODUCT SPEC: 108-18785-1	
0 PLC ±0.2		APPLICATION SPEC: 114-18467-1		
1 PLC ±0.2		WEIGHT: -		
2 PLC ±0.2		SIZE: A1		
3 PLC ±0.2		CAGE CODE: C=2306286		
4 PLC ±0.2		DRAWING NO: 114-18467-1		
ANGLES ±0.2		SHEET 1 OF 2		
FINISH: -		SCALE: 8:1		
MATERIAL: -		SHEET 1 OF 2		
FINISH: -		REV: B21		

2	SEE TABLE	CONTACT	CuSn
1	SEE TABLE	HOUSING	PA 3
SL NO	PN	DESCRIPTION	MATERIAL

REVISIONS				
P	LTN	DESCRIPTION	DATE	OWN APVD
-	-	SEE SHEET 1	-	-

GWEPT 750°C NO FLAME & UL94-VO, SILVER PLATED VERSION																		
-	X	X	X	X	X	X	X	X	X	X	9	20.0	24.9	23.5	20.0	3.75	2/3	1-2369990-9
Red						X	X	X	X		4	7.5	12.4	11.0	7.5	6.25	3/4	1-2369990-4
Color Code	10	9	8	7	6	5	4	3	2	1	POS.	A	B	C	D	E	KEYING	PN Bestell-Nr.
CAVITIES LOADED																		

PA GF, GWEPT 750°C NO FLAME & UL94-VO, TIN PLATED VERSION																		
-	X	0	X	X	0	X	0	X	0	X	10	22.5	27.4	26	22.5	6.25	3/4	1-2306287-0
-	X	X	X	X	X	X	X	X	X	X						3.75	2/3	1-2306286-0
-		X	X	X	X	X	X	X	X	X	9	20	24.9	23.5	20	3.75	2/3	1-2306286-9
Black		X	X	X	X	X	X	X	X	2/3							2306286-9	
-		X	0	X	0	X	0	X	0	X							2/3	3-2306287-9
-		X	0	X	X	0	X	0	X	X							2/3	2-2306287-9
-		X	X	0	X	0	X	0	X	X						-	-	1-2306287-9
Green		X	0	X	X	0	X	0	X	X						3.75	2/3	2306287-9
-			X	0	X	0	X	0	X	X	8	17.5	22.4	21	17.5	3.75	2/3	2306287-8
-			X	X	X	X	X	X	X	X						11.25	5/6	1-2306286-8
-			X	X	X	X	X	X	X	X						3.75	2/3	2306286-8
-			X	0	X	0	X	0	X	X	7	15	19.9	18.5	15	11.25	5/6	3-2306287-7
Black			X	0	X	0	X	0	X	8.75						4/5	2-2306287-7	
-			X	0	X	0	X	0	X	3.75						2/3	1-2306287-7	
Blue			X	0	X	0	X	0	X	3.75						2/3	2306287-7	
-			X	X	X	X	X	X	X	X	11.25	5/6	2-2306286-7					
-			X	X	X	X	X	X	X	X	3.75	2/3	1-2306286-7					
Black			X	X	X	X	X	X	X	X	2/3	2306286-7						
-						X	X	X	X	X	6	12.5	17.4	16	12.5	8.75	4/5	2-2306286-6
-						X	X	X	X	X						3.75	2/3	1-2306286-6
-						X	X	X	X	X						1.25	1/2	2306286-6
-						X	0	X	X	0						3.75	2/3	4-2306287-6
-						X	X	0	X	0						8.75	4/5	3-2306287-6
-						X	0	X	X	0						4/5	2-2306287-6	
-						X	0	X	X	0						3.75	2/3	1-2306287-6
Black						X	0	X	X	0						3.75	2/3	2306287-6
-						X	0	X	0	X	5	10	14.9	13.5	10	3.75	2/3	2-2306287-5
-						X	X	X	0	X						6.25	3/4	1-2306287-5
Blue						X	X	X	0	X						6.25	3/4	2306287-5
-						X	X	X	X	X						1.25	1/2	5-2306286-5
-						X	X	X	X	X	6.25	3/4	4-2306286-5					
-						X	X	X	X	X	3.75	2/3	3-2306286-5					
Green						X	X	X	X	X	1.25	1/2	2-2306286-5					
Red						X	X	X	X	X	6.25	3/4	1-2306286-5					
Black						X	X	X	X	X	3.75	2/3	2306286-5					
-						X	X	X	X	X	4	7.5	12.4	11	7.5	6.25	3/4	3-2306286-4
-						X	X	X	X	X						1.25	1/2	2-2306286-4
Red						X	X	X	X	X						6.25	3/4	1-2306286-4
Black						X	X	X	X	X						1.25	1/2	2306286-4
-						X	0	X	X	X	3	5	9.9	8.5	5	1.25	1/2	3-2306287-3
-						X	0	X	X	X						3.75	2/3	2-2306287-3
Green						X	0	X	X	X						1.25	1/2	1-2306287-3
Blue						X	0	X	X	X						3.75	2/3	2306287-3
-						X	X	X	X	X	3.75	2/3	3-2306286-3					
-						X	X	X	X	X	1.25	1/2	2-2306286-3					
Black						X	X	X	X	X	3.75	2/3	1-2306286-3					
Red						X	X	X	X	X	1.25	1/2	2306286-3					
Color Code	10	9	8	7	6	5	4	3	2	1	POS.	A	B	C	D	E	KEYING	PN Bestell-Nr.
CAVITIES LOADED																		

THIS DRAWING IS A CONTROLLED DOCUMENT.		OWN Winter Wang 08-Aug-22	 TE Connectivity
DIMENSIONS: mm		CHK Daniel Zhong 15-Mar-17	
TOLERANCES UNLESS OTHERWISE SPECIFIED:		APVD Riccardo Robore 15-Mar-17	NAME DUOPLUG MARK II SIDE LOCKING
0 PLC ±0.2 1 PLC ±0.2 2 PLC ±0.2 3 PLC ±0.2 4 PLC ±0.2 ANGLES ±0.2 FINISH		PRODUCT SPEC 108-18785-1	SIZE A1
MATERIAL		APPLICATION SPEC 114-18467-1	CAGE CODE C=2306286
		WEIGHT	DRAWING NO. 2
		CUSTOMER DRAWING	RESTRICTED TO 2
		SCALE 8:1	SHEET 2 OF 2
			REV B21