

M/N 74062-()	---0*	---1*	---2*	---3*	---4*	---5*	---6*	---7*	---8*	---9*
KEYING PIN ORIENTATION										

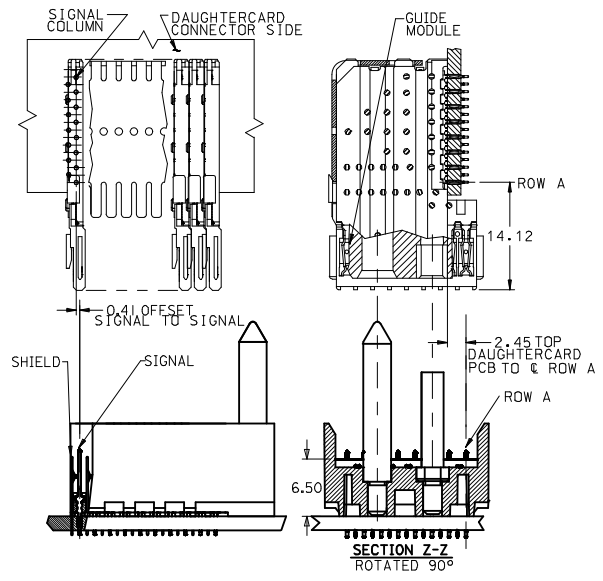
NO GUIDE PIN
NO KEYING PIN

74062 - * * * *

NUMBER OF COLUMNS/PLATING
 10 = 10 COLUMN MATTE TIN (FORMERLY TIN/LEAD)
 25 = 25 COLUMN MATTE TIN (FORMERLY TIN/LEAD)
 60 = 10 COLUMN MATTE TIN (MAPS)
 75 = 25 COLUMN MATTE TIN (MAPS)
 90 = 10 COLUMN MATTE TIN
 85 = 25 COLUMN MATTE TIN

PIN HEIGHT
 1 & 6 = 4.75
 2 & 7 = 6.25
 3 & 8 = 4.25
 4 & 9 = 5.15

PART NUMBER	COLUMN	NUMBER OF SIGNAL PIN	NUMBER OF SHIELD	A	B	M	GOLD THICKNESS MICROMETER	TIN THICKNESS MICROMETER
74062-60*1								
74062-*0*1	10	80	10	27.00	18.00	4.75	0.25 MAPS	0.76-1.52
74062-*0*6							0.76	
74062-75*1							1.27	
74062-*5*1	25	200	25	57.00	48.00	0.25 MAPS		
74062-*5*6						0.76		
74062-60*2						1.27		
74062-*0*2	10	80	10	27.00	18.00	6.25	0.25 MAPS	
74062-*0*7							0.76	
74062-75*2							1.27	
74062-*5*2	25	200	25	57.00	48.00	0.25 MAPS		
74062-*5*7						0.76		
74062-60*3						1.27		
74062-*0*3	10	80	10	27.00	18.00	4.25	0.25 MAPS	
74062-*0*8							0.76	
74062-75*3							1.27	
74062-*5*3	25	200	25	57.00	48.00	0.25 MAPS		
74062-*5*8						0.76		
74062-60*4						1.27		
74062-*0*4	10	80	10	27.00	18.00	5.15	0.25 MAPS	
74062-*0*9							0.76	
74062-75*4							1.27	
74062-*5*4	25	200	25	57.00	48.00	0.25 MAPS		
74062-*5*9						0.76		



SEE SHEET 1 EC NO: UCP2013-0687 DRAWINGS 2012/08/23 CHKD:MMOLFE 2012/11/26 APPR:SMILLER 2012/12/14	QUALITY SYMBOLS 	GENERAL TOLERANCES (UNLESS SPECIFIED) <table border="1"> <tr> <th></th> <th>mm</th> <th>INCH</th> </tr> <tr> <td>4 PLACES</td> <td>± ---</td> <td>± ---</td> </tr> <tr> <td>3 PLACES</td> <td>± ---</td> <td>± ---</td> </tr> <tr> <td>2 PLACES</td> <td>± ---</td> <td>± ---</td> </tr> <tr> <td>1 PLACE</td> <td>± ---</td> <td>± ---</td> </tr> <tr> <td>0 PLACE</td> <td>± ---</td> <td>± ---</td> </tr> </table>		mm	INCH	4 PLACES	± ---	± ---	3 PLACES	± ---	± ---	2 PLACES	± ---	± ---	1 PLACE	± ---	± ---	0 PLACE	± ---	± ---	DIMENSION STYLE MM ONLY DRAWN BY DATE MWANG 1998/11/12 CHECKED BY DATE JLAURX 1998/11/12 APPROVED BY DATE CBIXLER 1998/11/12	SCALE 2.5:1 DESIGN UNITS METRIC THIRD ANGLE PROJECTION	VHM 8 ROW SHIELD END BACKPLANE SALES ASSEMBLY molex DOCUMENT NO. SD-74062-002 SHEET NO. 2 OF 2
		mm	INCH																				
	4 PLACES	± ---	± ---																				
	3 PLACES	± ---	± ---																				
2 PLACES	± ---	± ---																					
1 PLACE	± ---	± ---																					
0 PLACE	± ---	± ---																					
ANGULAR ±1/2° DRAFT WHERE APPLICABLE MUST REMAIN WITHIN DIMENSIONS	MATERIAL NO. SEE TABLE	THIS DRAWING CONTAINS INFORMATION THAT IS PROPRIETARY TO MOLEX. INCORPORATED AND SHOULD NOT BE USED WITHOUT WRITTEN PERMISSION																					