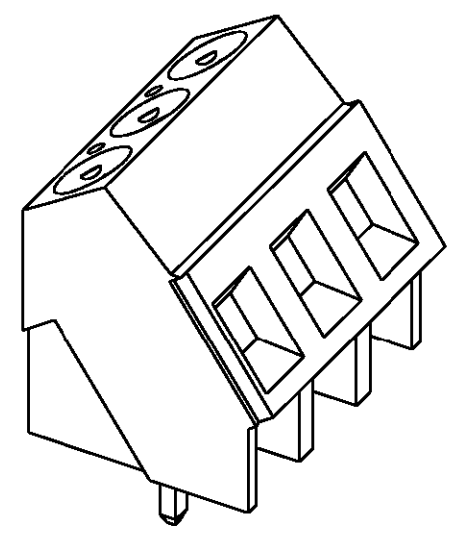
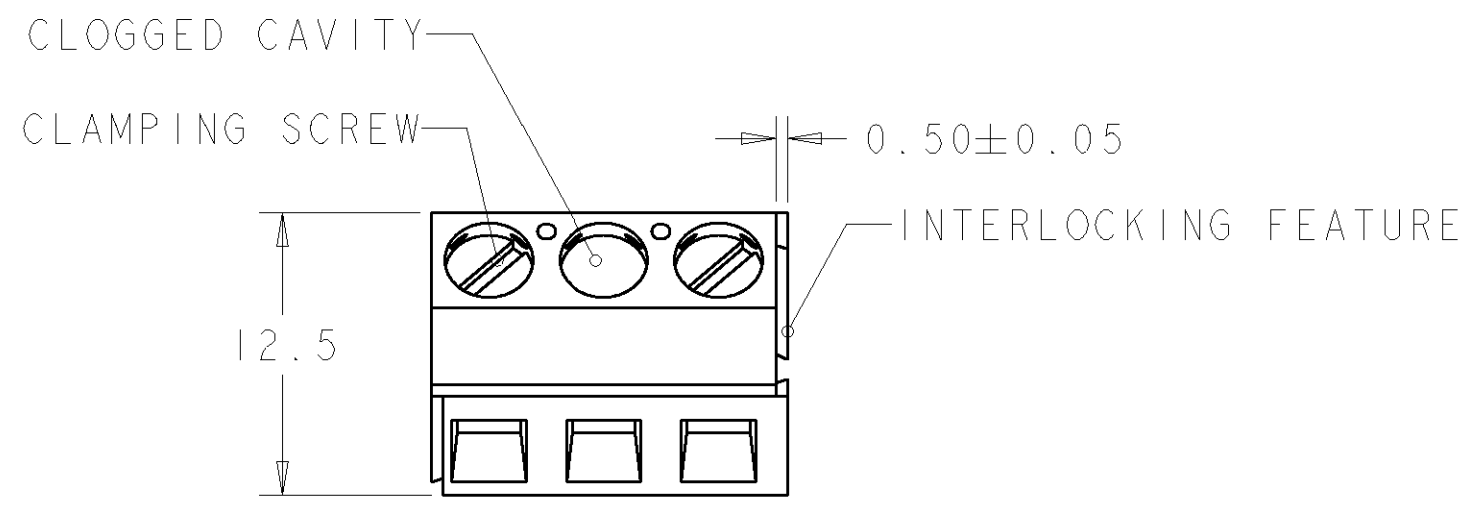


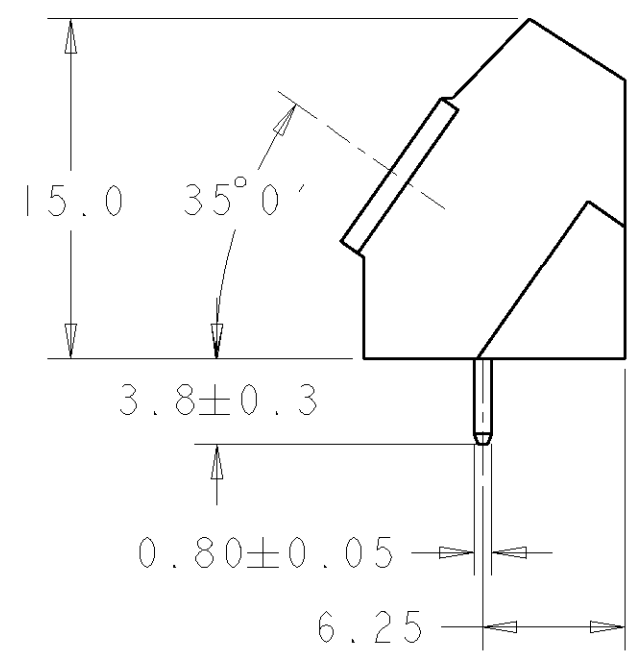
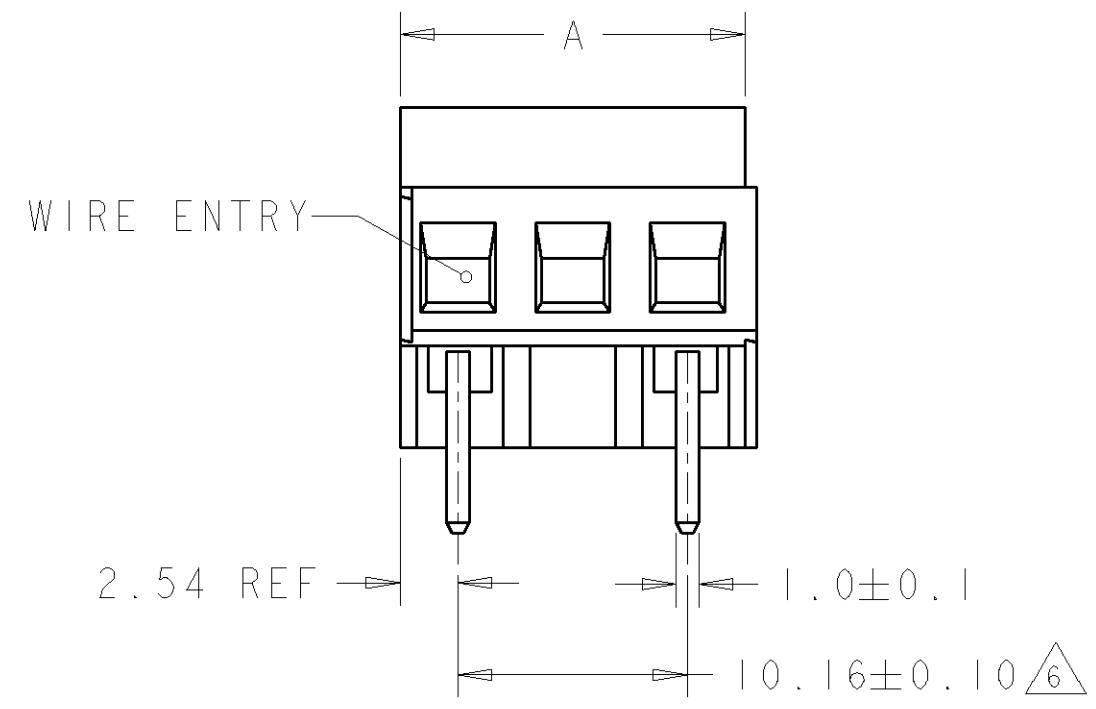
THIS DRAWING IS UNPUBLISHED. RELEASED FOR PUBLICATION 20
 © COPYRIGHT 20 BY TYCO ELECTRONICS CORPORATION. ALL RIGHTS RESERVED.

LOC	DIST	REVISIONS			
P	LTR	DESCRIPTION	DATE	DWN	APVD
FT	0	C	REVISED PER 0G3B-0119-01	17AUG2001	EZ DB

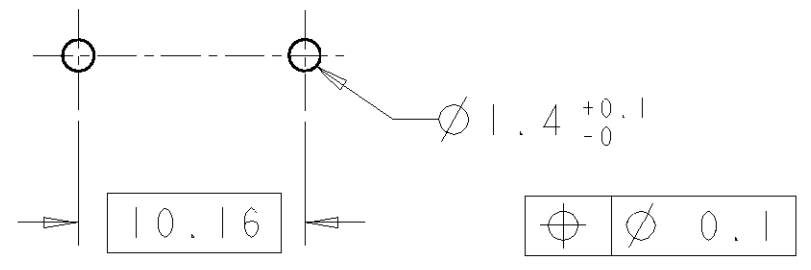


282849-2 AS SHOWN

- 1 MATERIALS AND FINISH
 HOUSING: PA 6-6, UL 94-V0, COLOR GREEN.
 CLAMP: BRASS, NICKEL PLATED.
 TERMINAL: BRASS, TIN PLATED.
 CLAMPING SCREW: M3, BRASS, NICKEL PLATED.
- 2 SUITABLE FOR 1,6-2,4mm PCB THICKNESS.
- 3 WIRE SIZE RANGE
 SOLID WIRE: 0,03-2,5mm² (13AWG)
 STRANDED WIRE: 0,03-1,5mm² (15AWG)
- 4 RECOGNIZED UNDER THE COMPONENT PROGRAM OF UNDERWRITERS LABORATORIES INC., FILE N° E60677.
- 5 IMQ CERTIFICATE WITH SURVEILLANCE IN CONFORMITY WITH IEC 998-1/998-2-1.
- 6 NOT CUMULATIVE TOLERANCE.



DIM. A	N° OF POS.	PART NUMBER
55.88	6	282849-6
45.72	5	282849-5
35.56	4	282849-4
25.40	3	282849-3
15.24	2	282849-2



RECOMMENDED PC BOARD LAYOUT

<small>THIS DRAWING IS A CONTROLLED DOCUMENT FOR TYCO ELECTRONICS CORPORATION. IT IS SUBJECT TO CHANGE AND THE CONTROLLING ENGINEERING ORGANIZATION SHOULD BE CONTACTED FOR THE LATEST REVISION.</small>		DWN E. ZANOLINI 17AUG2001 CHK D. BIEVENOUR 17AUG2001 APVD D. BIEVENOUR 17AUG2001		BUCHANAN Tyco Electronics Harrisburg, PA 17105-3608	
DIMENSIONS: mm 		TOLERANCES UNLESS OTHERWISE SPECIFIED: 0 PLC ± 1 PLC ±.3 2 PLC ±.25 3 PLC ± 4 PLC ± ANGLES ±2		NAME: TERMINAL BLOCK PCB MOUNT ANGLED ENTRY WIRE 10.16mm PITCH	
MATERIAL:		FINISH:		PRODUCT SPEC: 108-20166 APPLICATION SPEC: 114-20079 WEIGHT: -	
CUSTOMER DRAWING				SIZE: A3 CAGE CODE: 00779 DRAWING NO: C=282849 RESTRICTED TO: -	
SCALE: 3:1				SHEET 1 OF 1 REV C	