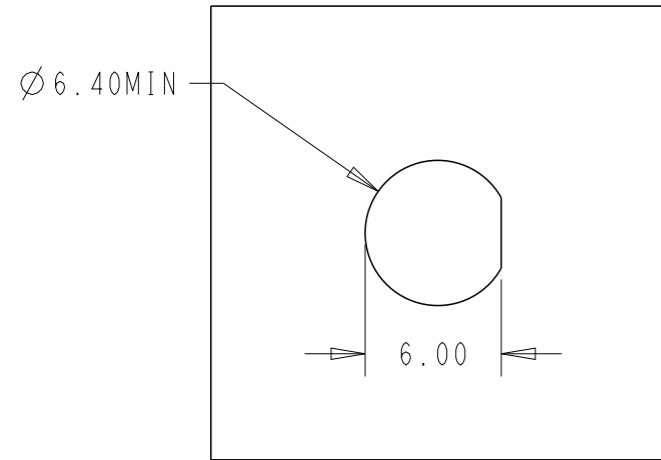
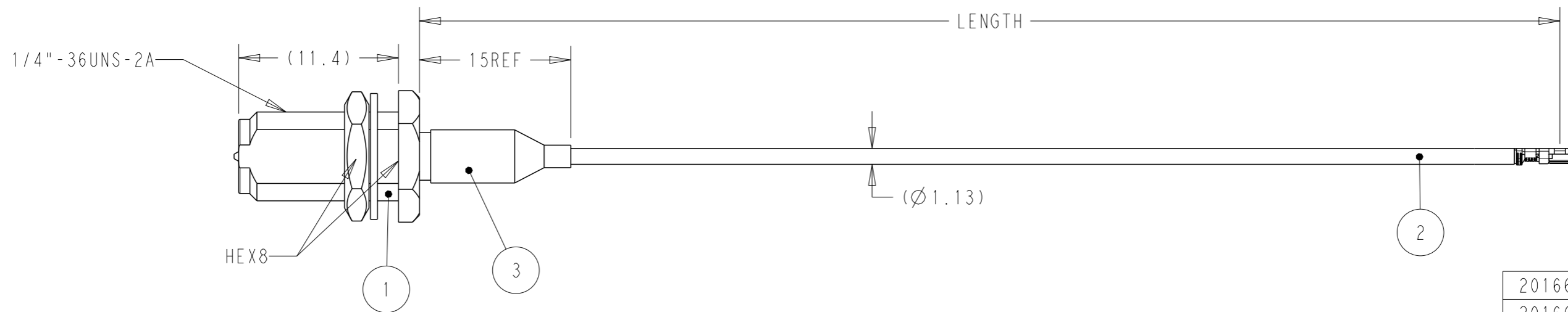
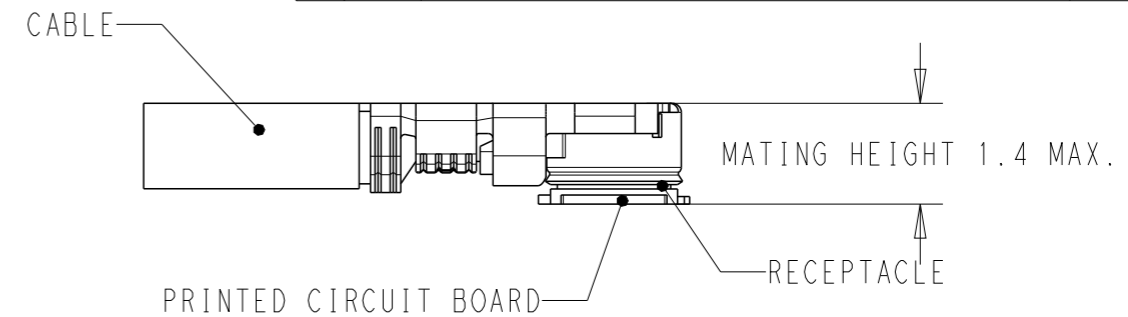


P	LTR	DESCRIPTION	DATE	DWN	APVD
A		INITIAL CREATED	20JUL2020	CL	SZ
A1		ECR-22-136185	18APR2022	JZ	WKH



RECOMMENDED MOUNTING HOLE



2016695-9	500±5
2016695-8	450±5
2016695-7	350±5
2016695-6	300±3
2016695-5	250±3
2016695-4	200±3
2016695-3	150±3
2016695-2	100±3
2016695-1	50+3
PART NUMBER	LENGTH

NOTES:

- MATERIAL AND PROCESSING MUST MEET REQUIREMENTS OF TEC-138-702
- SMA BULKHEAD NEED ASSEMBLY NUT AND WASHER
- PRODUCT RATING:  
 TEMPERATURE: -45°C TO +85°C  
 VOLTAGE: 30V (RMS)  
 CHARACTERISTIC IMPEDANCE: 50 OHMS Normal  
 FREQUENCY RANGE: DC TO 9GHz  
 BEND RADIUS: 5MM MIN
- CABLE ASSEMBLY TO BE 100% OPEN AND SHORT TESTED
- SMA INTERFACE FOLLOW IEC 60169-15  
 UMCC GEN4 CAN MATE WITH I-PEX MHF4L SERIES AND HIROSE W.FL SERIES

PC	Q'TY	UNIT	DESCRIPTION	ITEM
PC	1		HEAT SHRINK TUBE	3
PC	0.5		RF CA,UMCC GEN4 BOTH END, WITH 1.13CABLE	2
PC	1		RP-SMA BULKHEAD, FOR 1.13 CABLE	1

THIS DRAWING IS A CONTROLLED DOCUMENT.		DWN 25FEB2019 Cedar Liu														
DIMENSIONS: mm		CHK 26FEB2019 Roger Song														
TOLERANCES UNLESS OTHERWISE SPECIFIED:		APVD - Roger Song	NAME RF CA, RP-SMA BULKHEAD TO UMCC IV WITH 1.13 CABLE													
<table border="1"> <tr> <td>0 PLC</td> <td>±-</td> </tr> <tr> <td>1 PLC</td> <td>±0.5</td> </tr> <tr> <td>2 PLC</td> <td>±0.13</td> </tr> <tr> <td>3 PLC</td> <td>±0.013</td> </tr> <tr> <td>4 PLC</td> <td>±0.0001</td> </tr> <tr> <td>ANGLES</td> <td>±-</td> </tr> </table>		0 PLC	±-	1 PLC	±0.5	2 PLC	±0.13	3 PLC	±0.013	4 PLC	±0.0001	ANGLES	±-	PRODUCT SPEC -	SIZE A3	
0 PLC	±-															
1 PLC	±0.5															
2 PLC	±0.13															
3 PLC	±0.013															
4 PLC	±0.0001															
ANGLES	±-															
MATERIAL -		APPLICATION SPEC -	CAGE CODE 00779	DRAWING NO C-2016695												
FINISH -		WEIGHT -	RESTRICTED TO													
		RESTRICTED CUSTOMER	SCALE 1:1	SHEET 1 OF 1												
			REV A1													