



SOLID STATE INC.

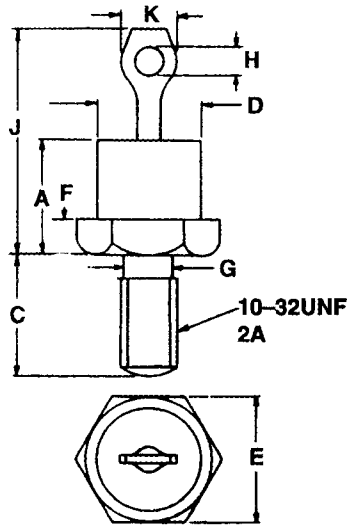
46 FARRAND STREET
BLOOMFIELD, NEW JERSEY 07003

www.solidstateinc.com

BZY93 SERIES

MECHANICAL DATA

Dimensions in mm(inches)



**VOLTAGE REGULATOR
DIODES**

FEATURES

The BZY93 series is a range of medium power silicon voltage regulator diodes for general pupose use in a DO-4 outline metal case encapsulation for stud mounting.

Both polarity types are available, BZY93C having stud cathode and BZY93C-R having stud anode.

Dim.	Min.	Nom.	Max.
A	-	-	10.28
C	10.72	-	11.50
D	-	-	10.77Ø
E	10.80Ø	-	11.10Ø
F	-	-	4.40
G	4.20Ø	-	4.80Ø
H	1.60Ø	-	1.80Ø
J	-	-	20.32
K	-	-	6.35

ABSOLUTE MAXIMUM RATINGS

$I_{ZM}max.$		20A
$I_{FRM}max.$		15A
$I_{F(AV)}max.$	Averaged over any 20ms period	5A
$P_{TOT}max.$	$T_{MB} = 75^{\circ}C$	20W
	$T_{MB} = 100^{\circ}C$	15W
$P_{Z(sur)}max.$	$T_{MB} = 75^{\circ}C$	500W
T_{STG}	Storage Temperature Range	-55 to +175°C
$T_{Jmax.}$	Maximum Junction Temperature	175°C
$R_{\theta JA}$	Thermal Resistance Junction to Ambient	5°C/W
$R_{\theta J-MB}$	Thermal Resistance Junction to Mounting Base	50°C/W
$R_{\theta MB-H}$	Thermal Resistance Mounting Base to Heatsink	0.6°C/W
	Derating factor $T_{MB} > 75^{\circ}C$	0.2W/°C



SOLID STATE INC.

46 FARRAND STREET
BLOOMFIELD, NEW JERSEY 07003

www.solidstateinc.com

BZY93 SERIES

ELECTRICAL CHARACTERISTICS (T_{mb} = 25°C) UNLESS OTHERWISE STATED

Product	Test I _Z (A)	V _Z ¹ @ Test I _Z (V)		R _Z ¹ @ Test I _Z (Ω)		S _Z ¹ (mV/°C)	I _R At V _R (μA) (V)
		Min.	Max.	Typ.	Max.	Typ.	Max.
C6V8	2.0	6.4	7.2	0.04	0.2	2.5	100 2.0
C7V5	2.0	7.0	7.9	0.04	0.3	3.0	100 2.0
C8V2	2.0	7.7	8.7	0.05	0.3	4.0	100 5.6
C9V1	1.0	8.5	9.6	0.07	0.5	5.0	50 6.2
C10	1.0	9.4	10.6	0.07	0.5	7.0	50 6.8
C11	1.0	10.4	11.6	0.08	1.0	7.5	50 7.5
C12	1.0	11.4	12.7	0.08	1.0	8.0	50 8.2
C13	1.0	12.4	14.1	0.08	1.0	8.5	50 9.1
C15	1.0	13.8	15.6	0.10	1.2	10.0	50 10.0
C16	0.5	15.3	17.1	0.18	1.2	11.0	50 11.0
C18	0.5	16.8	19.1	0.20	1.5	12.0	50 12.0
C20	0.5	18.8	21.2	0.20	1.5	14.0	50 13.0
C22	0.5	20.8	23.3	0.21	1.8	16.0	50 15.0
C24	0.5	22.7	25.9	0.22	2.0	18.0	50 16.0
C27	0.5	25.1	28.9	0.25	2.0	21.0	50 18.0
C30	0.5	28.0	32.0	0.30	2.5	25.0	50 20.0
C33	0.5	31.0	35.0	0.32	3.0	30.0	50 22.0
C36	0.2	34.0	38.0	0.75	4.0	32.0	50 24.0
C39	0.2	37.0	41.0	0.85	5.0	35.0	50 27.0
C43	0.2	40.0	46.0	0.9	6.5	40.0	50 30.0
C47	0.2	44.0	50.0	1.0	7.0	45.0	50 33.0
C51	0.2	48.0	54.0	1.2	7.5	50.0	50 36.0
C56	0.2	52.0	60.0	1.3	8.0	55.0	50 39.0
C62	0.2	58.0	66.0	1.5	9.0	60.0	50 43.0
C68	0.2	64.0	72.0	1.8	10.0	65.0	50 47.0
C75	0.2	70.0	79.0	2.0	10.5	70.0	50 51.0

Notes

1. Pulse Test: t_p ≤ 100μs, δ ≤ 0.1%.