

6

5

4

3

2

1

E

E

D

D

C

C

B

B

A

A

192.5 FT. REF.

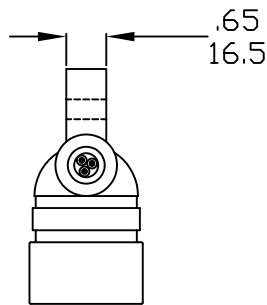
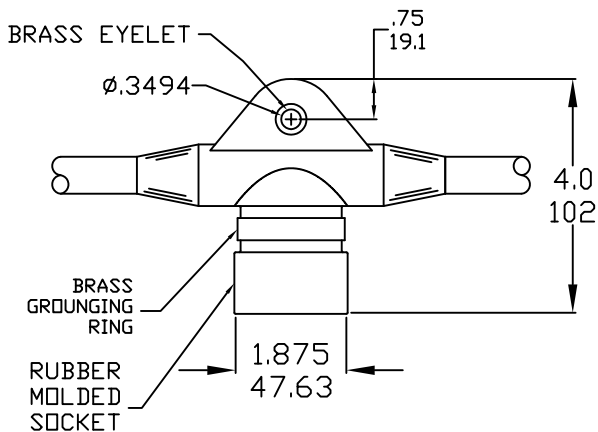
16 FT. ± 2 FT

39.0 IN ± 1.75 IN  
(54) PLACES

1 FT

#12-3 BLACK  
SOOW CORD

(55) MOLDED BLACK  
3-WIRE SOCKET



RELEASE DRAWING EC NO: WNA2011-0224 DRWN: TVICKERS 2010/10/28 CHKD: HK APPR: DTITUS 2010/11/22	QUALITY SYMBOLS ▽=0 ∇=0	GENERAL TOLERANCES (UNLESS SPECIFIED)		DIMENSION STYLE IN/MM	SCALE NTS	DESIGN UNITS INCH	THIRD ANGLE PROJECTION			
			mm	INCH	DRAWN BY TVICKERS	DATE 2010/10/28	TITLE STRINGLIGHT 192.5 FT. (55) 323@39 IN. CENTERS 16 FT. LEAD & 1 FT TAIL			
		4 PLACES	±---	±---	CHECKED BY HK	DATE 2010/06/02	MOLEX INCORPORATED			
		3 PLACES	±---	±.005	APPROVED BY DTITUS	DATE 2010/11/22				
		2 PLACES	±0.13	±.010	ANGULAR ±.5°		MATERIAL NO. 1301060168	DOCUMENT NO. SD-130106-028	SHEET NO. 1 OF 1	
1 PLACE	±0.25	±.020	DRAFT WHERE APPLICABLE MUST REMAIN WITHIN DIMENSIONS		THIS DRAWING CONTAINS INFORMATION THAT IS PROPRIETARY TO MOLEX INCORPORATED AND SHOULD NOT BE USED WITHOUT WRITTEN PERMISSION					

6

5

4

3

2

1