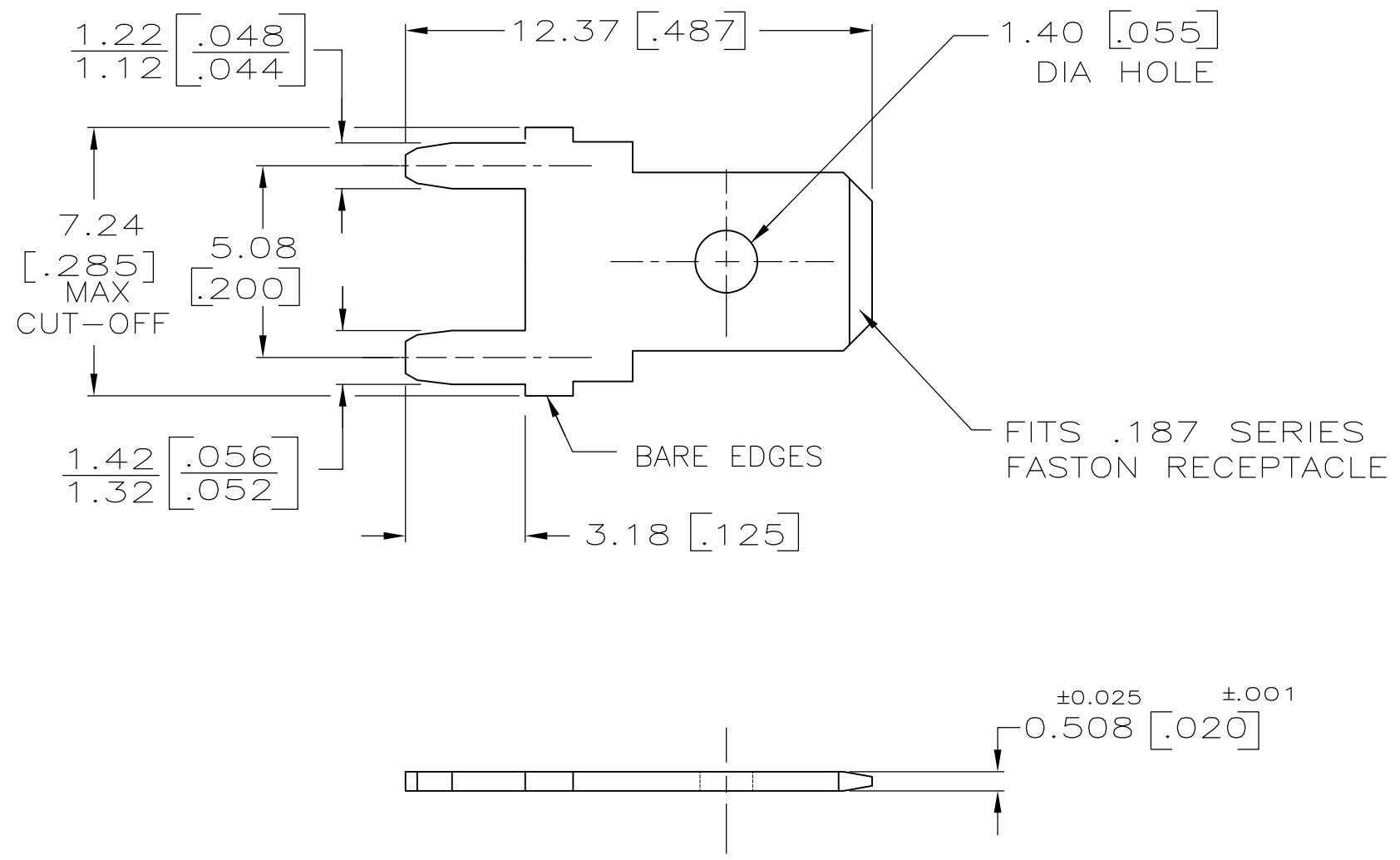
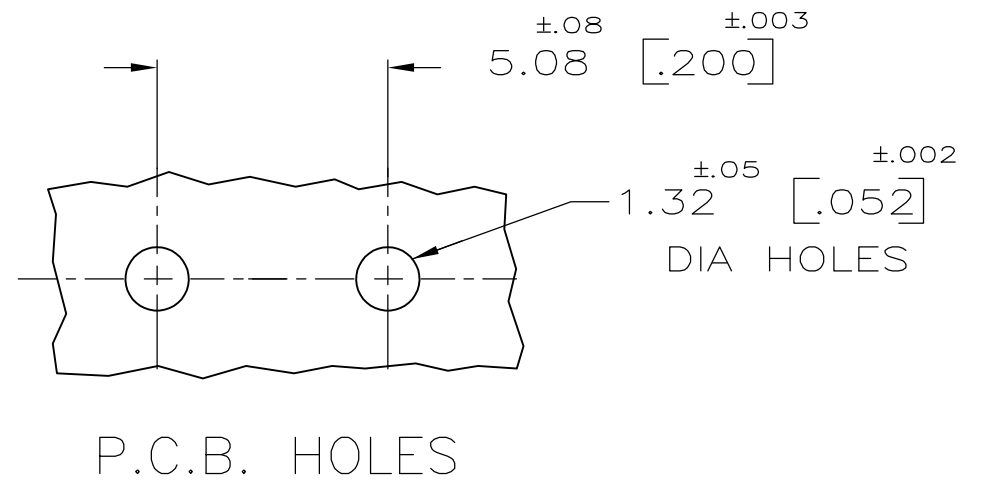


THIS DRAWING IS UNPUBLISHED. RELEASED FOR PUBLICATION  
 © COPYRIGHT - By - ALL RIGHTS RESERVED.

LOC	DIST	REVISIONS			
P	LTR	DESCRIPTION	DATE	DWN	APVD
AF	50	B	REVISED PER ECR-13-011489	16DEC2013	KH PD



- 1 SUPPLIED IN LOOSE PIECE.
- 2 TIN PLATE 0.00381 [.000150] MIN  
THK OVER COPPER 0.00254 [.000100]  
MIN THK.



1217131-1  
PART NO.

THIS DRAWING IS A CONTROLLED DOCUMENT.		DWN JR RUTH 9/DEC/98	TE Connectivity			
DIMENSIONS: mm [INCHES]		CHK MS FEHER 9/DEC/98				
TOLERANCES UNLESS OTHERWISE SPECIFIED:		APVD S UNGER 9/DEC/98	NAME TAB, FASTON, 4.75 [.187] SERIES, PC BOARD			
0 PLC ± - 1 PLC ± - 2 PLC ± 0.25 [.010] 3 PLC ± - 4 PLC ± - ANGLES ± -		PRODUCT SPEC -	RESTRICTED TO -			
MATERIAL BRASS		FINISH 2 TIN OVER COPPER	APPLICATION SPEC -	SIZE A3	CAGE CODE 00779	DRAWING NO C-1217131
CUSTOMER DRAWING			WEIGHT -	SCALE 6:1	SHEET 1 OF 1	REV B