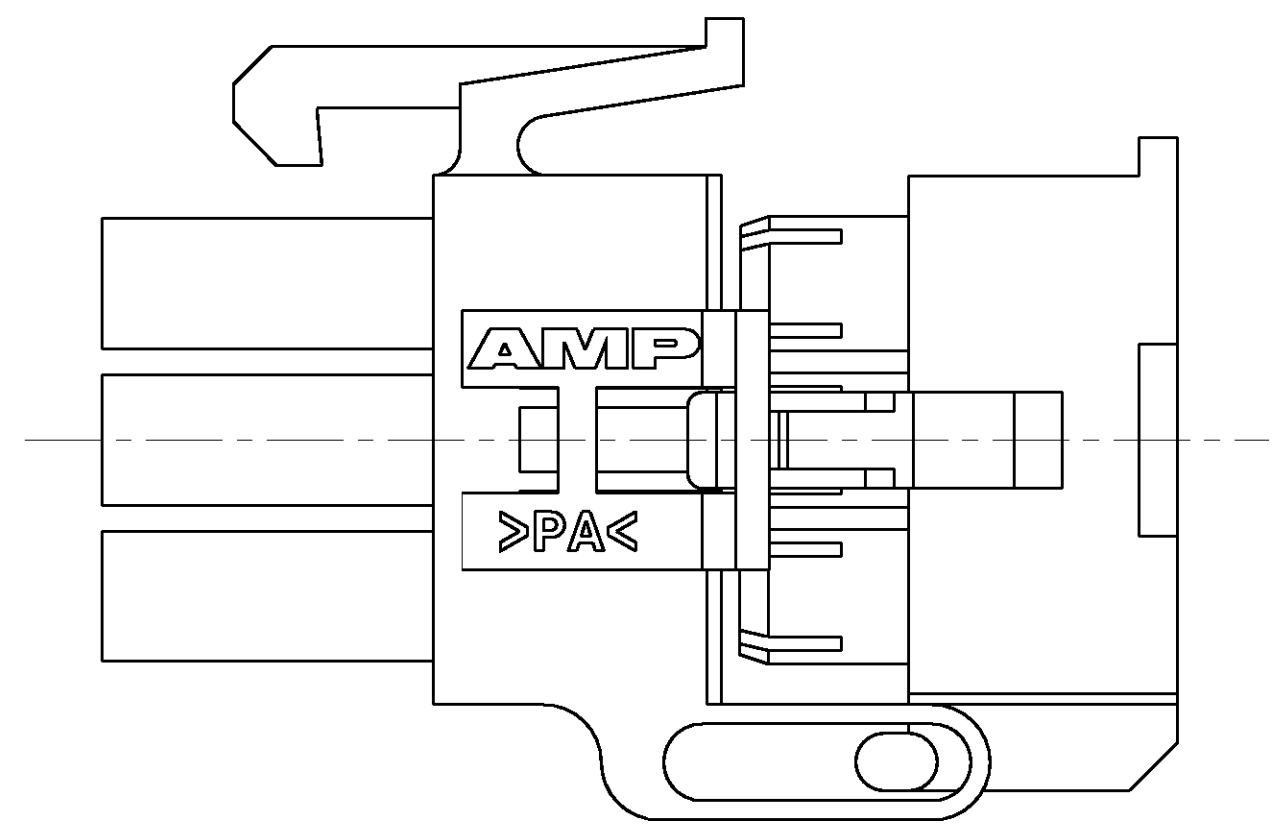
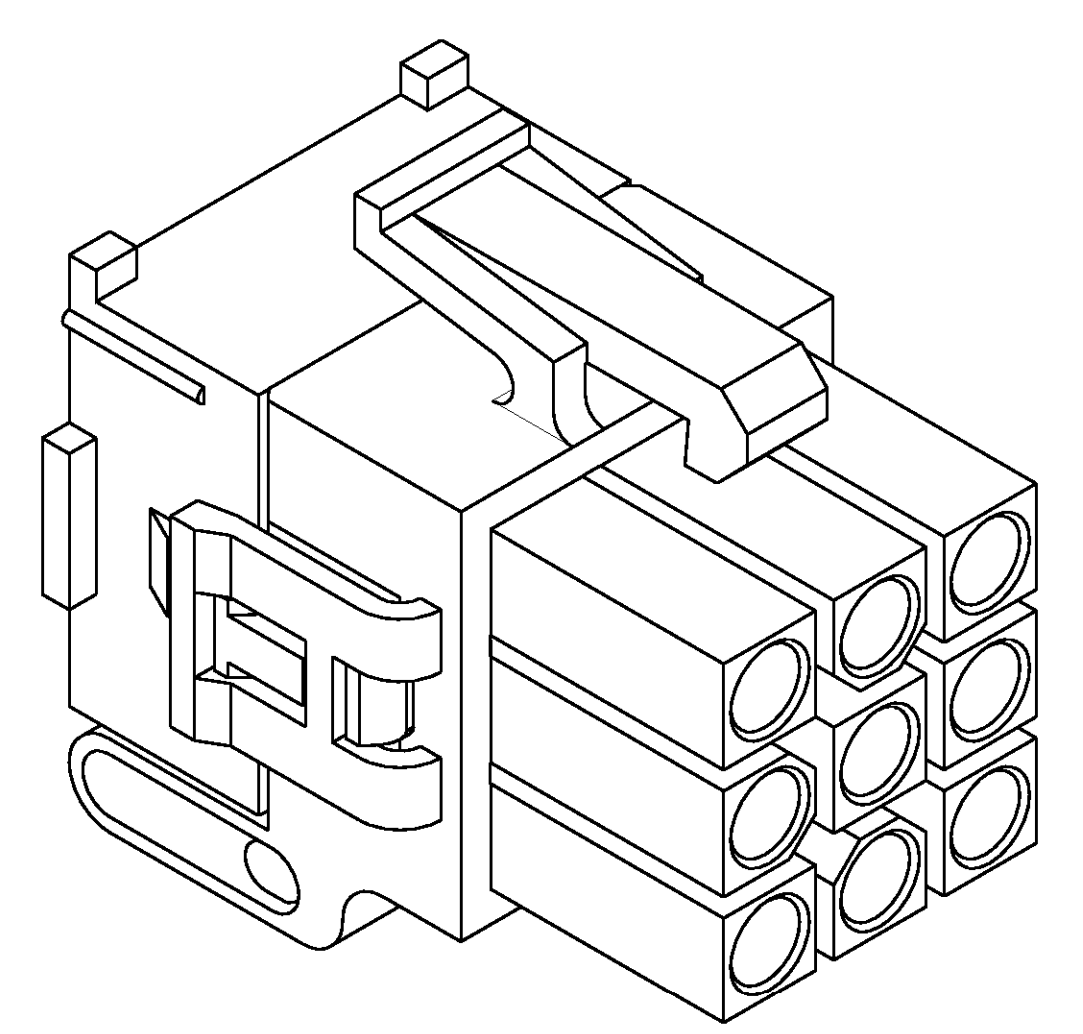
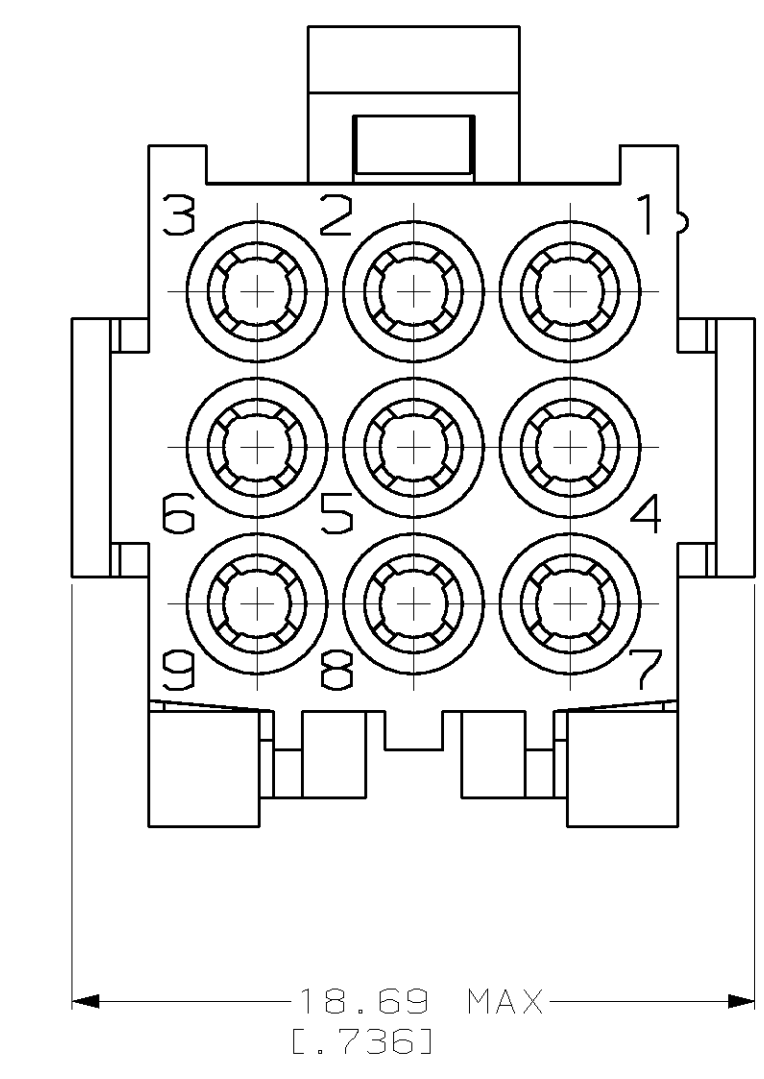
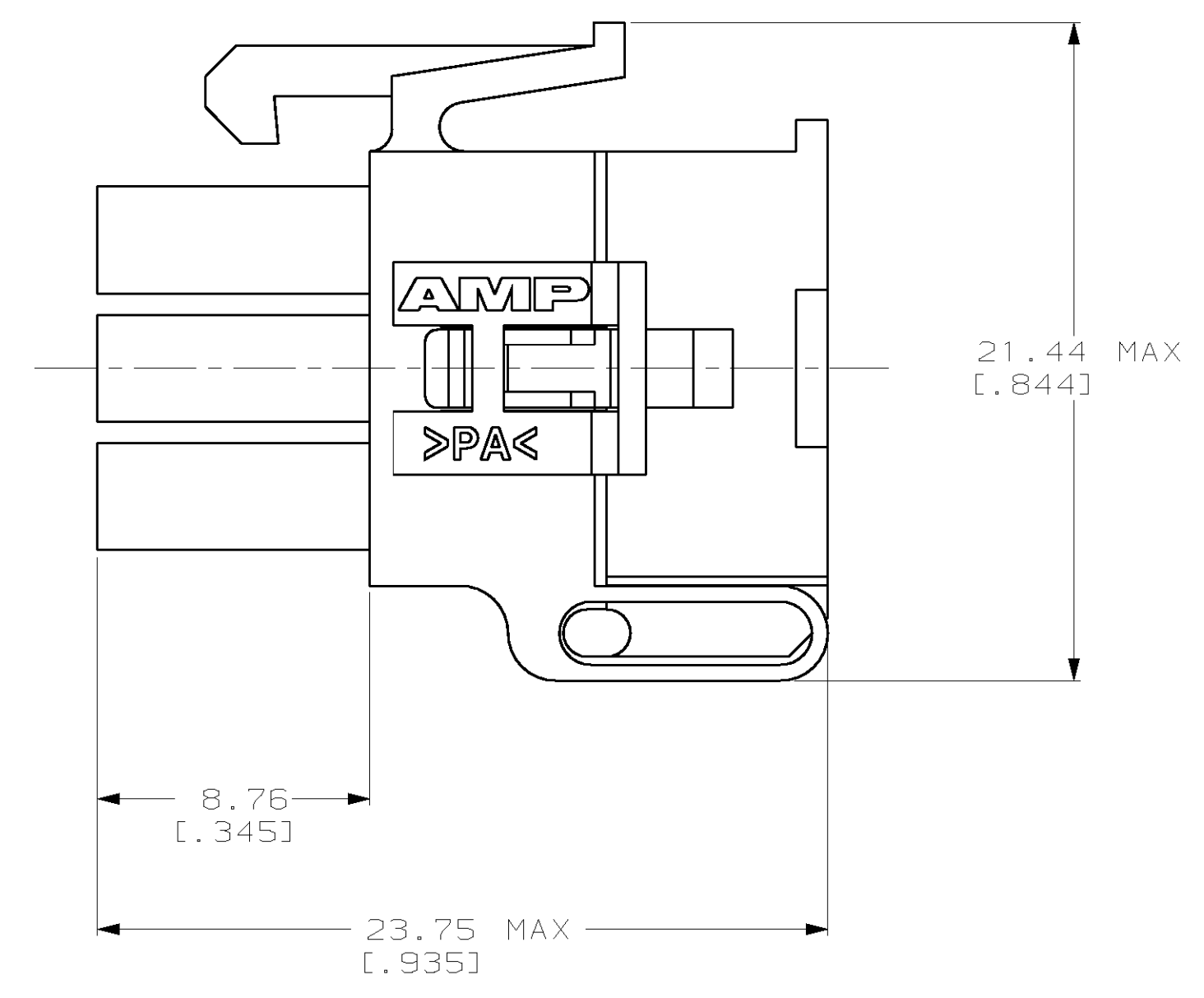
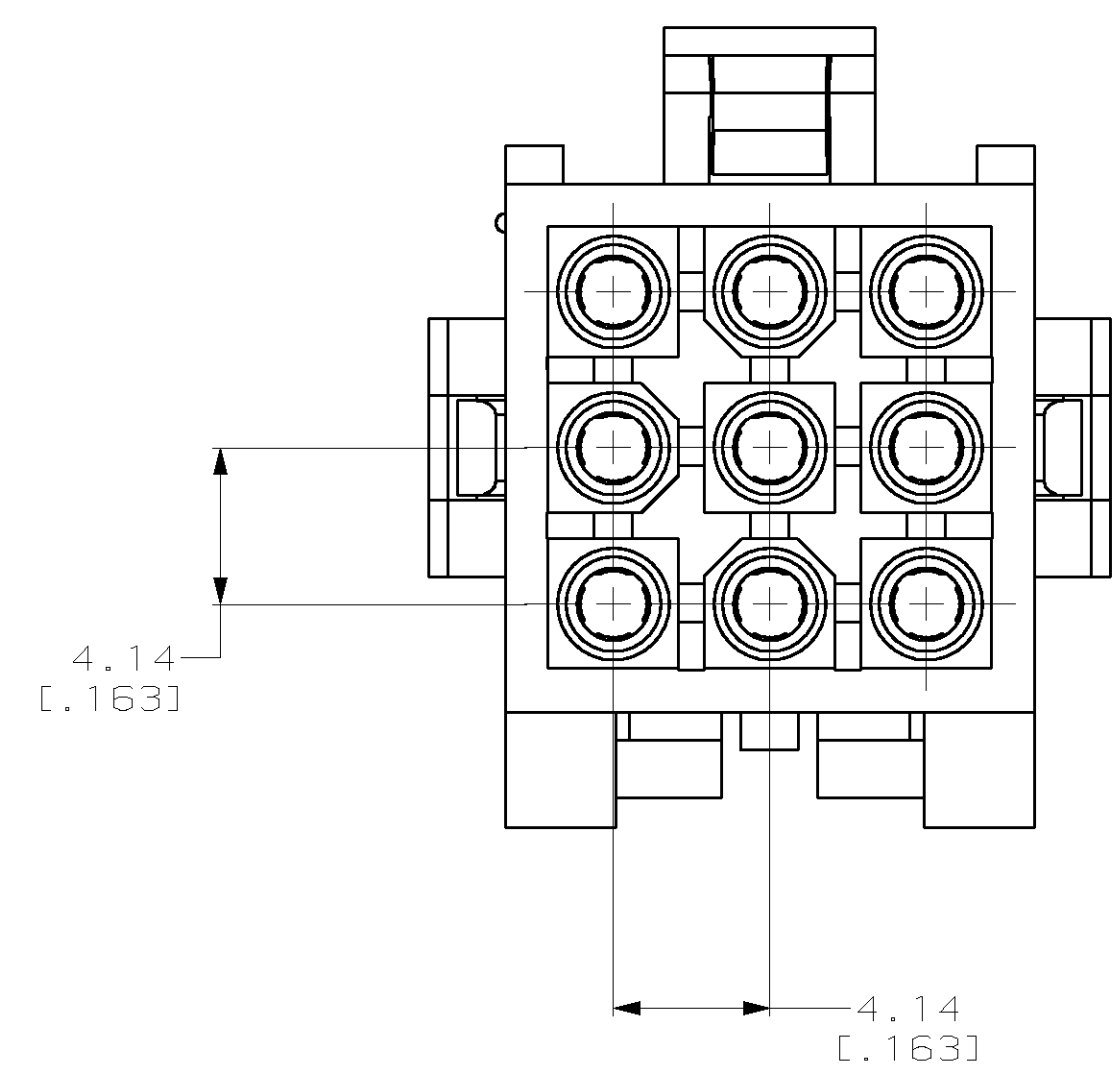


LOC		DIST		REVISIONS			
F	CHR	DATE	BY	APPROV	DESCRIPTION	DATE	BY
B		23-SEP-99	KW	KC	REV PER EC 061B-0094-99		



PRE-STAGED CONDITION

1. DIMENSIONS IN BRACKETS ARE IN INCHES.



3-DIMENSIONAL MODEL
NTS

794194-1
PART NUMBER

METRIC

THIS DRAWING IS A CONTROLLED DOCUMENT.		DWN K. WHITAKER 5-14-97	AMP AMP Incorporated Harrisburg, PA 17105-3608
DIMENSIONS:		CHK R. SWING 5-14-97	
mm	TOLERANCES UNLESS OTHERWISE SPECIFIED:	APPROV S. ORSTAD 5-14-97	NAME PLUG, 9 CIRCUIT, MINI UNIVERSAL MATE-N-LOK™ 2
0 PLC ±	1 PLC ±	PRODUCT SPEC	APPLICATION SPEC
2 PLC ±0.13 [0.005]	3 PLC ±	SIZE	CAGE CODE
4 PLC ±	ANGLES ±	WEIGHT	DRAWING NO
	40°±30°	CUSTOMER DRAWING	A1 00779 C-794194
MATERIAL NYLON, UL 94V-0, NATURAL	FINISH	SCALE	SHEET
		5:1	1 OF 1
			REV B