

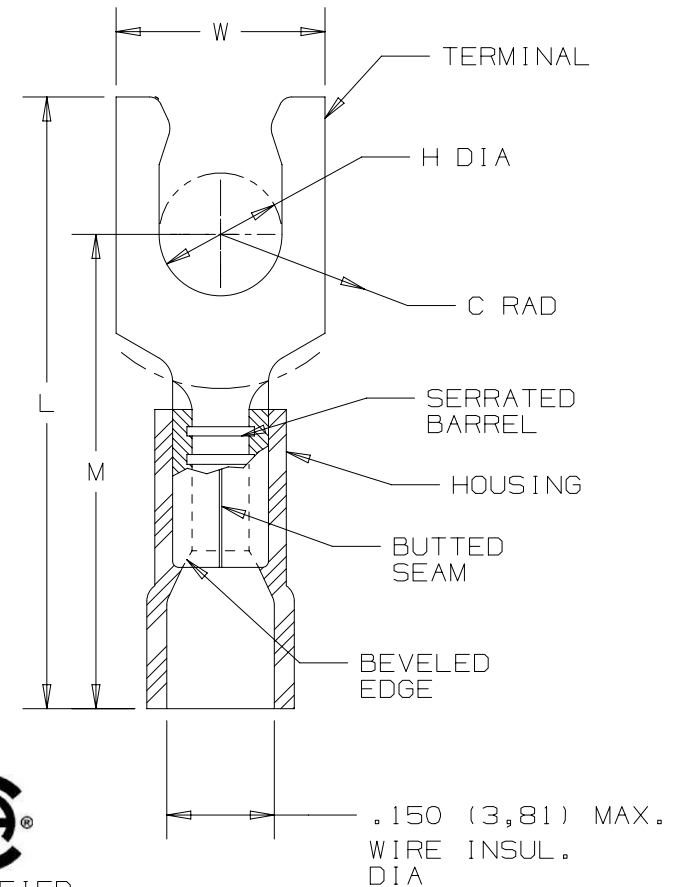
THIS COPY IS PROVIDED ON A RESTRICTED BASIS AND IS NOT TO BE USED IN ANY WAY DETRIMENTAL TO THE INTERESTS OF PANDUIT CORP.

PANDUIT PART NUMBER	STUD SIZE	DIMENSIONS - in.					TOOLS
		L ± .03	W ± .01	C ± .02	M ± .03	H ± .01	
EV18-6LFB	#6	.90 (22.9)	.27 (6.9)	.22 (5.6)	.68 (17.3)	.14 (3.6)	*CT-100A CT-600A (CT-500CH) CT-600A (CT-550CH) CT-1550 CT-1551
EV18-8LFB	#8	.97 (24.6)	.29 (7.4)	.25 (6.4)	.73 (18.5)	.16 (4.1)	
EV18-10LFB	#10	.97 (24.6)	.33 (8.4)	.25 (6.4)	.73 (18.5)	.19 (4.8)	

*CT-100A, 167°F (75°C) MAX TEMP. RATING

NOTES:

- UL LISTED AND CSA CERTIFIED FOR:
 - A. #22-18 AWG STRANDED COPPER WIRE
 - B. 221°F (105°C) MAX TEMP RATING
 - C. 600V MAX VOLTAGE RATING (1000V. MAX. IN SIGNS, FIXTURES & LUMINARIES)
- MATERIAL:
 - A. STAMPING - .032" (.81) THK, COPPER TIN PLATED
 - B. HOUSING - VINYL, RED
- WIRE STRIP LENGTH: 5/16" ^{+1/32}₋₀ (7.9mm ^{+0.8}₋₀)
- SEE WWW.PANDUIT.COM FOR PACKAGE QUANTITIES
- DIMENSIONS IN BRACKETS ARE IN MILLIMETERS



TITLE		STRONGHOLD LOCKING FORK TERMINALS VINYL INSULATED, BUTTED SEAM #22-18 AWG	
CUSTOMER DRAWING			
ITEM REVISION NAME	00123SHV/00	PANDUIT	
DATASET FILE NAME	00123SHV/00		
UNLESS OTHERWISE SPECIFIED, DIMENSIONAL TOLERANCES ARE: IN (mm)		MATERIAL: SEE NOTES	
.X ± .XX ±		.XXX ± ANGLES ±	
DRAWN BY: JHNU		DRAWING NUMBER: SH41288	
DATE: 2/18		THIRD ANGLE PROJECTION	
CHK: TMR	SCALE: NONE	SHT 1 OF 1	
REV	DATE	BY	CHK
APR	DESCRIPTION	ECN	SIZE: A

D10100DA/16