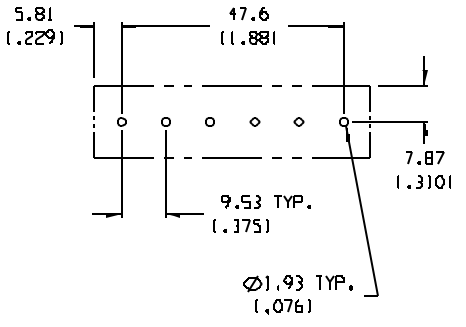
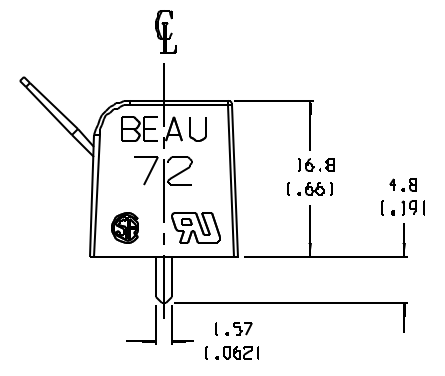
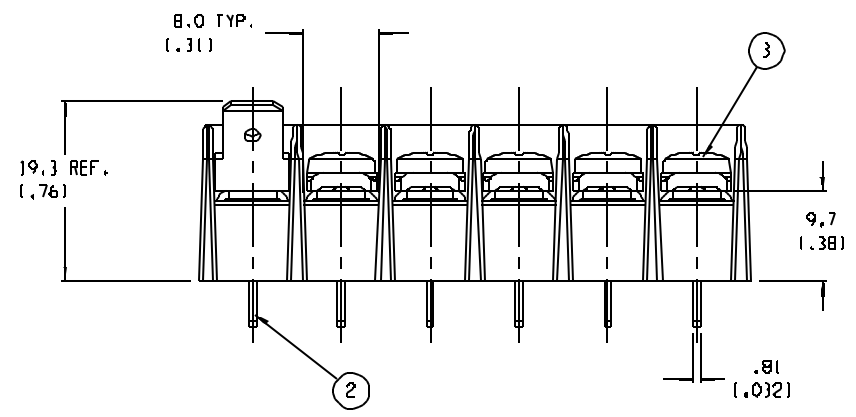


AUX. VIEW  
SCALE 1:1



RECOMMENDED PLATED THRU HOLE PATTERN  
SCALE 1:1



- NOTES:
1. MATERIAL: SEE TABLE
  2. FINISHES: SEE TABLE
  3. PRODUCT SPECIFICATION: NOT REQUIRED
  4. PACKAGING: NOT REQUIRED
  5. MATES WITH: NONE
  6. INCH DIMS ARE SHOWN IN PARENTHESES (XXX)
  7. STANDARD SCREW (ITEM 4) AND FAST TAB TERMINAL (ITEM 5) ARE PLACED ON POS. 1 ONLY, AS SHOWN

| ITEM | QTY. | DESCRIPTION                              | MATERIAL      | FINISH             |
|------|------|--|---------------|--------------------|
| 5    | 1    | TERM, FAST TAB, .250 X .032              | BRASS         | TIN PLATED         |
| 4    | 1    | SCREW, #6-32 X .250, PH-SL               | STEEL         | ZN, CLEAR CHROMATE |
| 3    | 5    | SCREW, #6-32 X .250, W/SQ, WASHER, PH-SL | STEEL         | ZN, CLEAR CHROMATE |
| 2    | 6    | TERMINAL, PC, STYLE 5                    | BRASS         | TIN PLATED         |
| 1    | 1    | BARRIER TERMINAL STRIP                   | THERMOPLASTIC | BLACK              |

|        |          |
|--------|----------|
| EP NO. | RELEASED |
| DRWN:  | CLY      |
| CHK:   |          |
| APP:   |          |
| REV    |          |

| QUALITY SYMBOLS |       |
|-----------------|-------|
| MAJOR           | MINOR |
| CRITICAL        |       |
| SPECIAL         |       |

| GENERAL TOLERANCES: UNLESS SPECIFIED                 |        |
|--|--------|
| mm   | INCH   |
| 1 PLACES   | ±.0015 |
| 3 PLACES   | ±.008  |
| 2 PLACES   | ±.13   |
| 1 PLACE  | ±.3    |
| ANGULAR: ±2°   |        |
| DRAFT WHERE APPLICABLE MUST REMAIN WITHIN DIMENSIONS |        |

|                        |  |
|------------------------|--|
| SCALE                  | 2:1  |
| DESIGN UNITS           | <input type="checkbox"/> MM <input checked="" type="checkbox"/> INCH |
| THIRD ANGLE PROJECTION | <input checked="" type="checkbox"/>                                  |
| DRWN BY & DATE         | C. YORK 02-16-04   |
| CHECKED BY & DATE      |  |
| APPROVED BY & DATE     |  |

|             |  |                                    |
|-------------|--|------------------------------------|
| PROJECT NO. | -                                      | -                                  |
| DIMENSIONS: | MM                                     | INCH                               |
|             | <input checked="" type="checkbox"/> MM | <input type="checkbox"/> INCH      |
|             | <input type="checkbox"/> MM ONLY       | <input type="checkbox"/> INCH ONLY |
| SHEET       | REV                                    |                                    |
|             |  | REVISE ON CAD ONLY                 |

|  |              |   |           |
|--|--------------|---|-----------|
| TITLE:   |              | SR BTS, PC, FAST TAB, CS 6 ASSY, NO MTG |           |
| MOLEX INCORPORATED   |              |   |           |
| CAD FILENAME   | MATERIAL NO. | DRAWING NO.                             | SHEET NO. |
| 72F506-C1814HSP673   | 387291514    | SD-38729-027                            | 1 OF 1    |
| THIS DRAWING CONTAINS INFORMATION THAT IS PROPRIETARY TO MOLEX INCORPORATED AND SHOULD NOT BE USED WITHOUT WRITTEN PERMISSION. |              |   | SIZE      |
|  |              |   | B         |