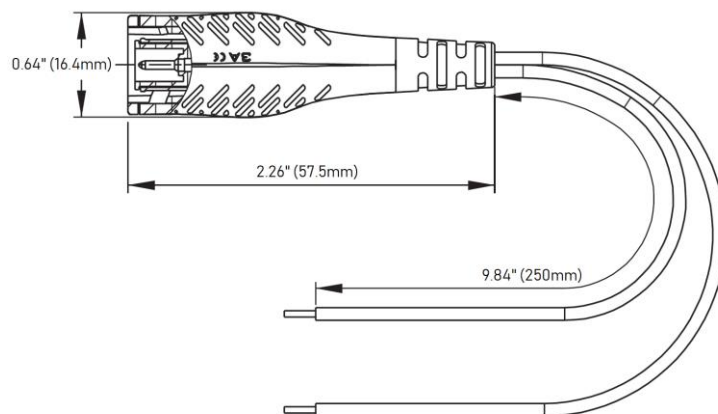


Model 73105
BNC (M) Breakout to Flying Leads**Features**

- Insulated BNC connector for added protection
- Breakout quickly converts a BNC cable to flying leads
- Flying leads are silicone insulated for flexibility
- BNC center contact is gold plated for corrosion resistance, low contact resistance
- 25cm length flying leads allow for custom configurations and terminations

Materials

Center Conductor: Nickel-plated Brass, Gold-plated Brass, Annealed Copper

Insulation: Polypropylene

Wire Insulation: Silicone

Ratings

Voltage: 30 V AC / 60 V DC

Current: 3 amperes

Operating Temperature: -20°C to +80°C (-4°F to +176°F)

Ordering Information

Model: 73105

BNC (M) Breakout to Flying Leads

USA: Sales: 800-490-2361
Technical Support: technicalsupport@pomonatest.com
Fax: 425-446-5844

Europe: 31-(0) 40 2675 150 **International:** 425-446-5500

Where to Buy: www.pomonaelectronics.com

All dimensions are in inches. Tolerances (except noted): .xx = ±.02" (.51 mm), .xxx = ±.005" (.127 mm). All specifications are to the latest revisions. Specifications are subject to change without notice. Registered trademarks are the property of their respective companies.