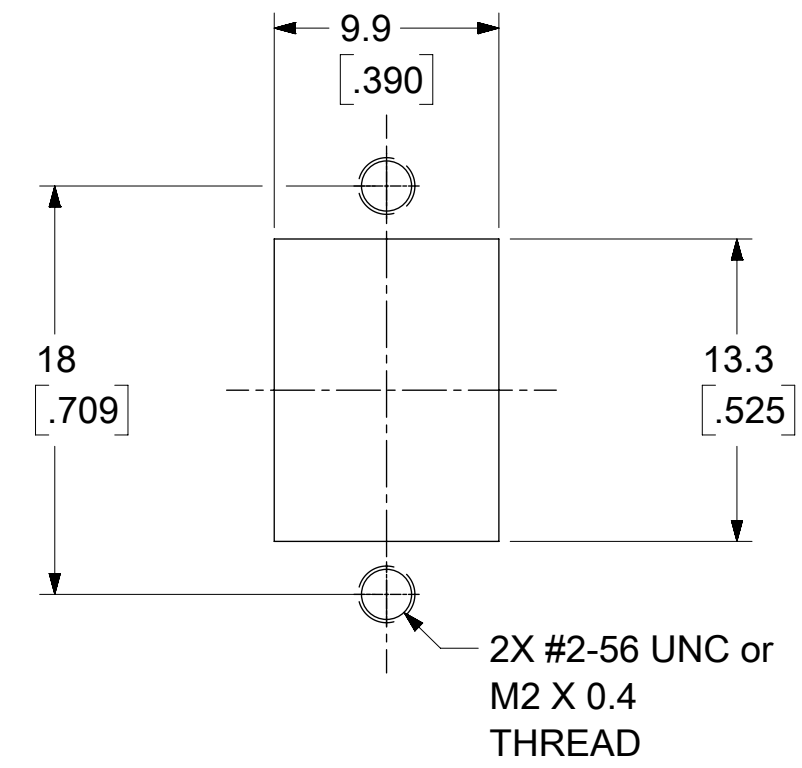
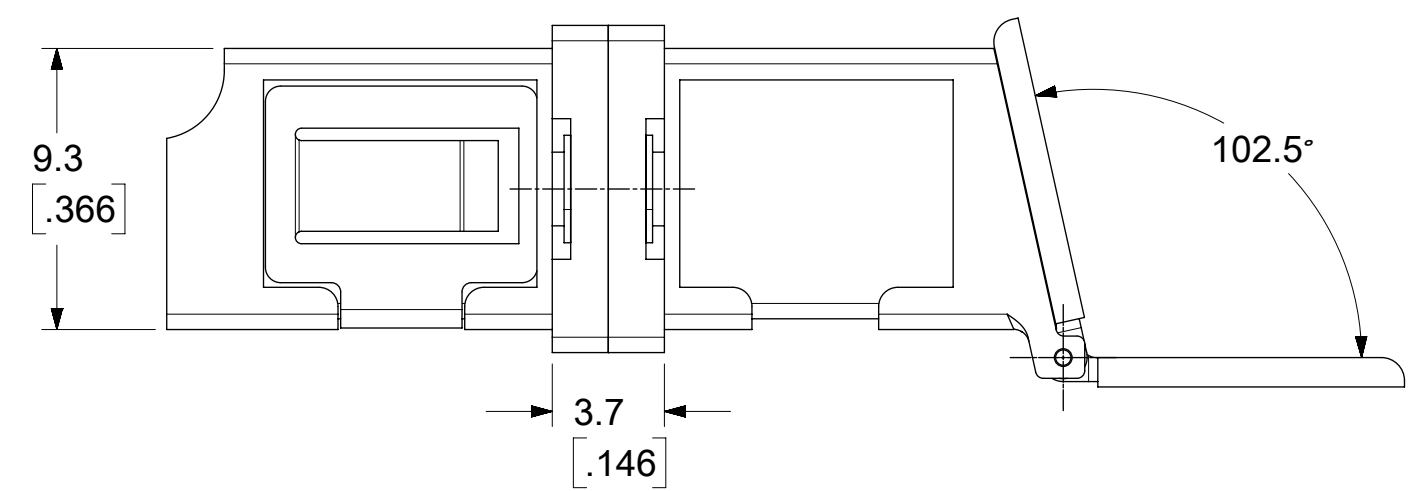
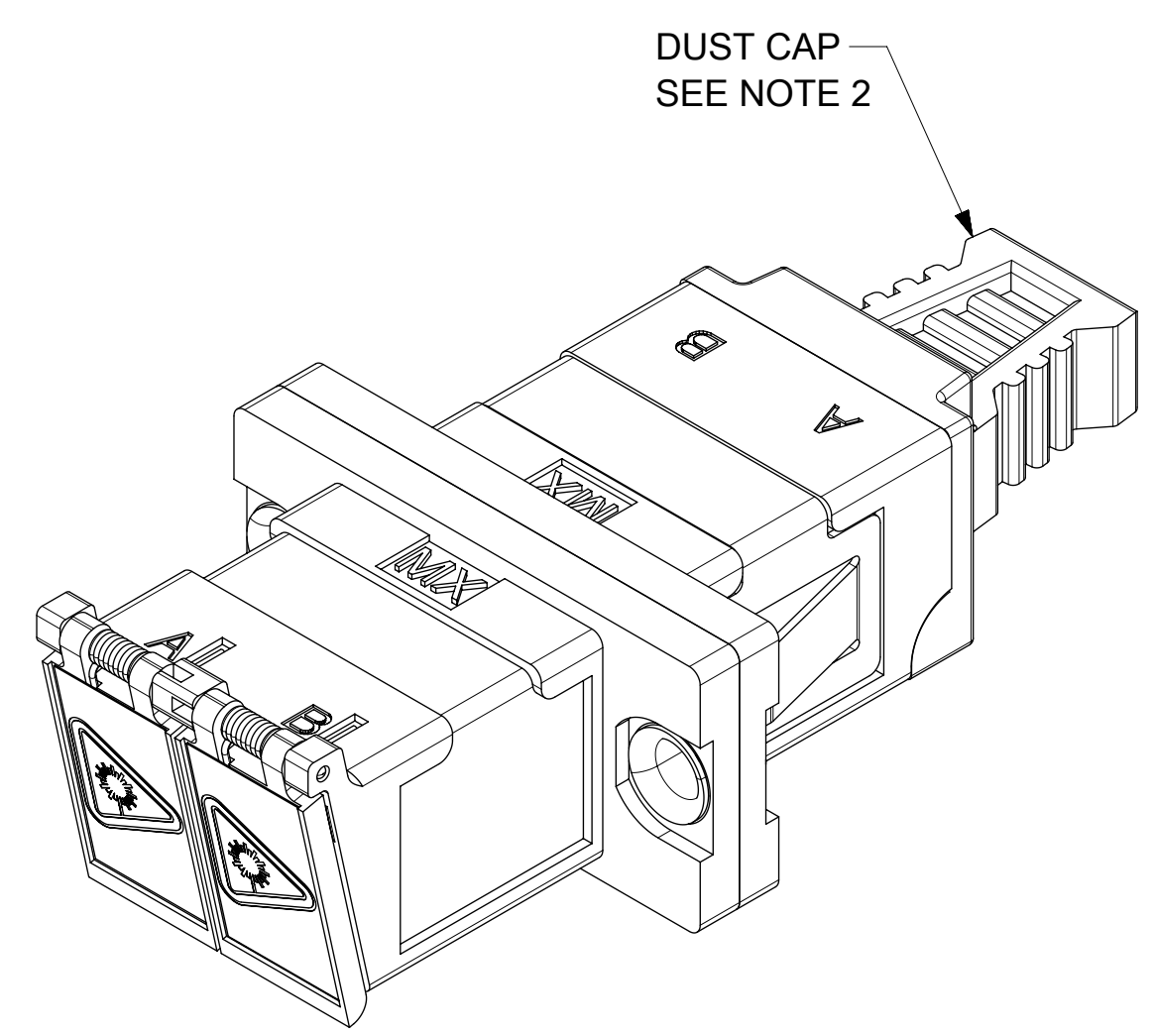
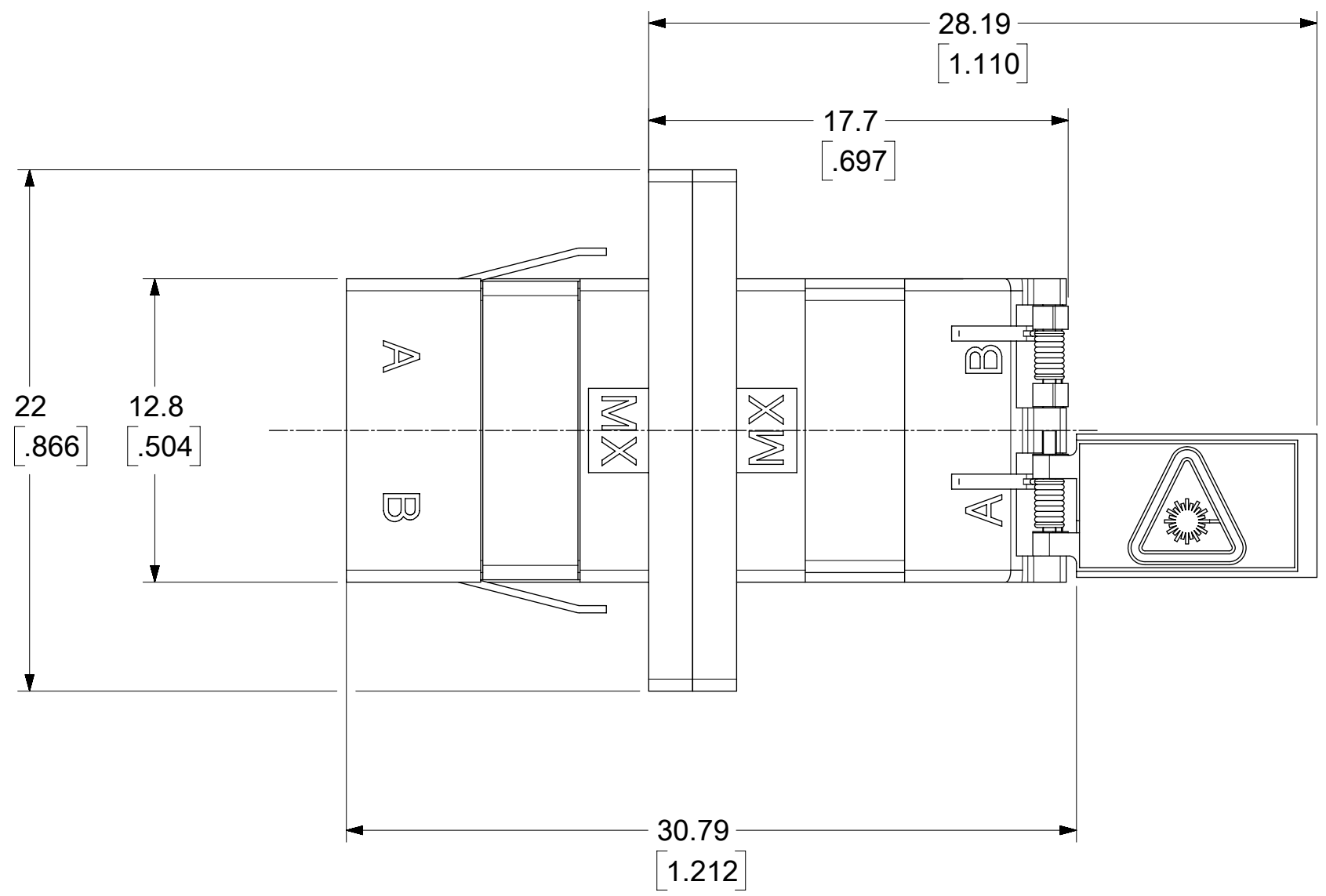
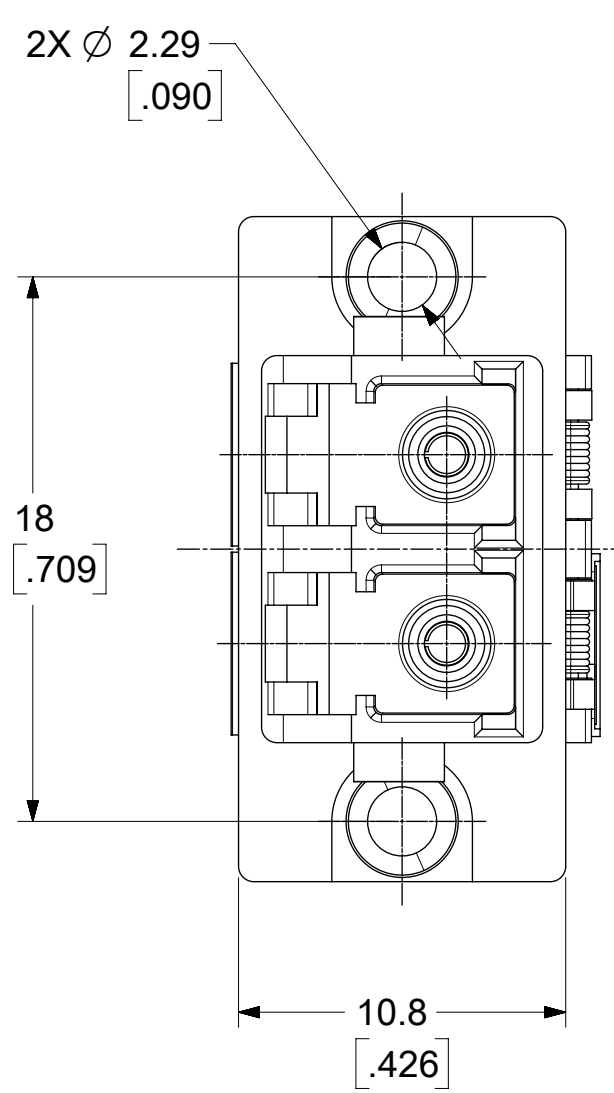


12	11
LC ADAPTER ASSY. P/N	LC SLEEVE MATERIAL
1061270590	PH. BRONZE
1061271590	ZR



RECOMMENDED MOUNTING CUTOUT  
FOR 1.60 [.063] THICK PANEL



- NOTES:
1. ALL DIMENSIONS ARE FOR REFERENCE ONLY.
  2. DUST CAP IS SHOWN IN ISO VIEW ONLY.
  3. ADAPTER TO BE PACKAGED IN TRAY.

THIS DRAWING CONTAINS INFORMATION THAT IS PROPRIETARY TO MOLEX ELECTRONIC TECHNOLOGIES, LLC AND SHOULD NOT BE USED WITHOUT WRITTEN PERMISSION									
DIMENSION UNITS		SCALE		CURRENT REV DESC: MIGRATED TO NX					
MM/IN		4:1		<p>METAL LC DUPLEX ADAPTER SCREW AND SNAP MOUNT, SC FOOTPRINT</p> <p>PRODUCT CUSTOMER DRAWING</p>					
GENERAL TOLERANCES (UNLESS SPECIFIED)									
ANGULAR TOL ± 0.5°									
4 PLACES ±		EC NO: 619398							
3 PLACES ±		DRWN: NMUTHARAYAPP 2019/03/26							
2 PLACES ±		CHK'D: WCHEN 2019/07/04							
1 PLACE ±		APPR: WCHEN 2019/07/04							
0 PLACES ±		INITIAL REVISION:		DOCUMENT NUMBER		DOC TYPE		DOC PART	
		DRWN: PGIBLIN 2005/10/25		SD-106127-X590		PSD		001	
		APPR: IGUMIN 2005/10/26		SERIES		CUSTOMER		REVISION	
				C-SIZE		GENERAL MARKET		B	
DRAFT WHERE APPLICABLE MUST REMAIN WITHIN DIMENSIONS				THIRD ANGLE PROJECTION		MATERIAL NUMBER		SHEET NUMBER	
						SEE TABLE		1 OF 1	

DOCUMENT STATUS	P1	RELEASE DATE	2019/07/04	01:08:05
-----------------	----	--------------	------------	----------