

NOTES:

1. MATERIAL:

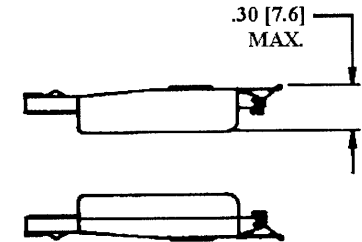
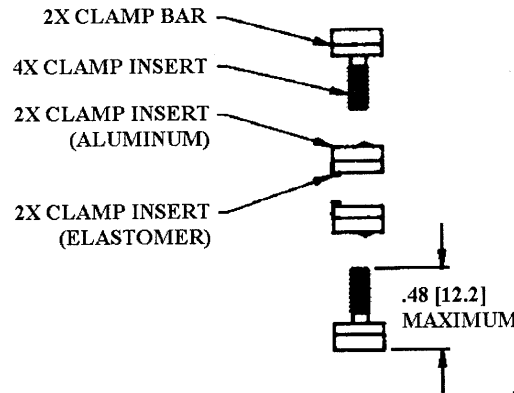
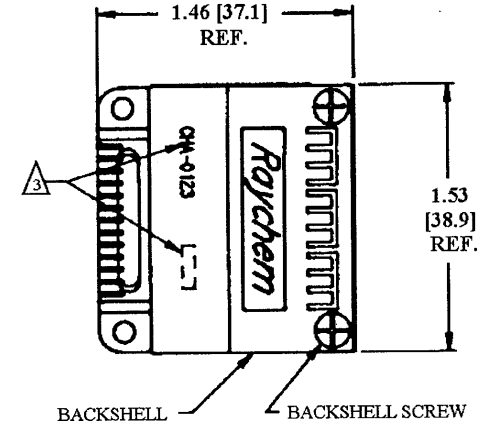
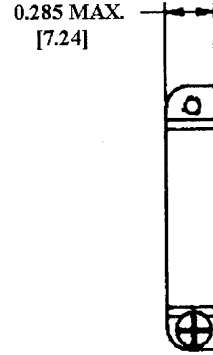
- A) BACKSHELL COPPER ALLOY 172 PER QQ-A-533
- B) BACKSHELL SCREW STAINLESS STEEL PER QQ-S-763, 300 SERIES
- C) CLAMP BAR STAINLESS STEEL PER QQ-S-763, 300 SERIES
- D) CLAMP INSERT SILICONE ELASTOMER PER MIL-R-25988
(ELASTOMER)
- E) CLAMP SCREW STAINLESS STEEL PER QQ-S-763, 300 SERIES
- F) CLAMP INSERT ALUMINUM ALLOY 6061-T6 PER QQ-A-225
(ALUMINUM)

2. FINISH:

- A) BACKSHELL CADMIUM PLATED PER QQ-P-416
- B) BACKSHELL SCREW CADMIUM PLATED PER QQ-P-416
- C) CLAMP BAR CADMIUM PLATED PER QQ-P-416
- D) CLAMP SCREW CADMIUM PLATED PER QQ-P-416
- E) CLAMP INSERT CADMIUM PLATED PER QQ-P-416
(ALUMINUM)

3. RAYCHEM PART NUMBER CHA-0123 AND DATE CODE ARE STAMPED APPROXIMATELY AS SHOWN. SEE TABULATION FOR PART NUMBERS.

REV	DESCRIPTION	DATE	APPROVED
A	RELEASED FOR PRODUCTION PER ECN T-12438	89JUN14	J.BLAIR
B	REVISED PER ECN T-18642	93/10/26	<i>[Signature]</i>



SPECIFICATION CONTROL DRAWING © Raychem Corporation 1986

UNLESS OTHERWISE SPECIFIED DIMENSIONS ARE IN INCHES. METRIC DIMENSIONS ARE IN BRACKETS. DECIMALS .XXX ± .005 [.13mm] .XX ± .02 [.5mm] ANGLES .X ± WEIGHT: 17.6 GRAMS MAX.	DESIGN	A.A.	12-4-85	Raychem	NATIONAL OPERATING DIVISION OF THE GENERAL ELECTRIC COMPANY			
	CHECKED	J.B.						
	APPROVED	J.BLAIR	12-9-85	TITLE	BACKSHELL, RECEPTACLE, EME WRAP AROUND SHIELD, 1", CADMIUM PLATED MTC SERIES			
	APPROVED			CAD NAME	CHA-0123.PCX			
	THIRD ANGLE PROJECTION			REV	CODE	QNTY. NO.	DATE	REV
		C	08090			CHA-0123		B

If this document is printed it becomes uncontrolled. Check with the web for latest revision.

CHA-0123