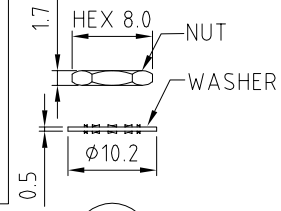


CABLE 395 RF: I-PEX MHF + RP SMA RIGHT ANGLE BULKHEAD JACK WITH O-RING RATED TO IP67/68 + MULTIPLE CABLE SIZES, 6GHz

SPECIFICATIONS :

1. I-PEX MHF PLUG, P/N: FOR RG178 CABLE: 20278-112R-18, FOR  $\phi$ 1.13MM CABLE: 20278-112R-13.
2. COAXIAL CABLE, SEE P/N OPTION FOR DETAIL.
3. RP SMA RIGHT ANGLE BULKHEAD JACK WITH O-RING RATED TO IP67/68, GOLD PLATED, P/N:  
FOR RG178 CABLE: RFCT-SMA077-F78.  
FOR  $\phi$ 1.13MM CABLE: RFCT-SMA078-F13.

**USAGE PRECAUTIONS: CABLES USING 'MICRO' COAX ARE DELICATE:**  
 (i) HANDLE WITH CARE.  
 (ii) DO NOT TWIST; APPLY EXCESSIVE FORCES OR SHARP BENDS TO THE CABLE. DO NOT FORCEFULLY DEFORM WIRES.  
 (iii) CONSULT CONNECTOR MANUFACTURER'S DATASHEETS FOR DETAILED NOTES ON HANDLING INSTRUCTIONS.

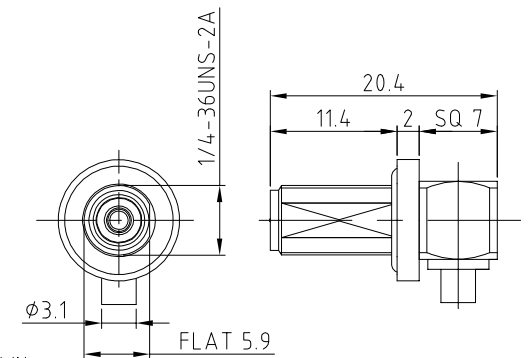
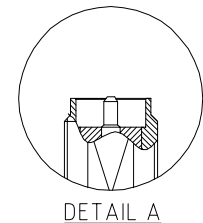
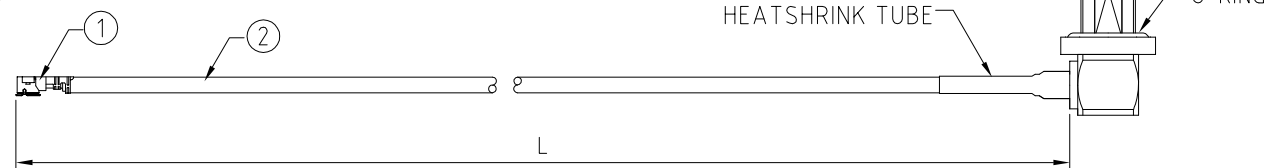


ENVIRONMENTAL:

- A. BULKHEAD MOUNTED CONNECTOR (RFCT-SMA077-F78/ RFCT-SMA078-F13) RATED TO THE FOLLOWING SPECIFICATION:
- i. IP6X - DUST TIGHT - NO PARTICLE INGRESS.
  - ii. IPX7 WATERPROOF FOR 30 MINUTES UP TO 1 METER UNDERWATER.
  - iii. IPX8 WATERPROOF FOR 48 HOURS AT 1 METER UNDERWATER.

NOTES:

1. THE ORIENTATION OF CONNECTORS ON DRAWING IS FOR REFERENCE ONLY, IF THE ORDER IS LEFT BLANK THE CONNECTOR WILL NOT HAVE FIXED ORIENTATION.
2. FIXED ORIENTATION IS SUGGESTED FOR CABLE LENGTH 50MM TO 100MM. PLEASE SPECIFY THE FIXED ORIENTATIONS FROM THE ORDER CODE (F1, F2, ETC)
3. CONTACT GRADCONN IF THE ORIENTATION YOU REQUIRE IS NOT SHOWN.
4. WORKING FREQUENCY RANGE: DC-6GHz.
5. OPERATING TEMPERATURE: -40°C TO +85°C
6. IMPEDANCE: 50 OHM.



HOW TO ORDER

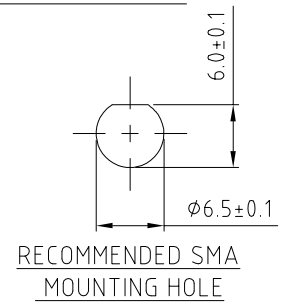
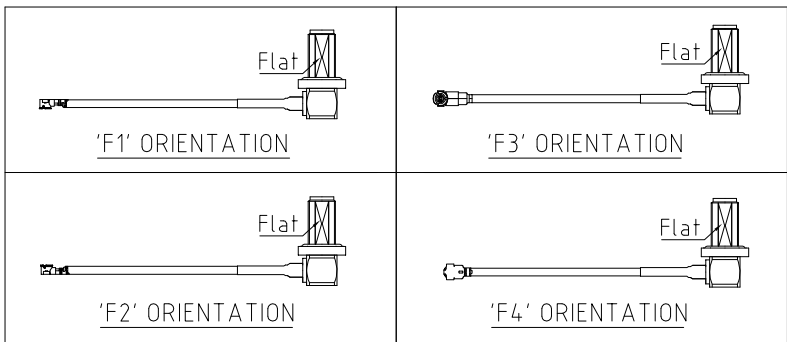
CABLE 395 RF - X X X - X X - X - X

"L" LENGTH IN MM:  
 eg: 100MM = 100  
 (MIN. 050-MAX.400)  
 STANDARD = 100, 150, 200  
 Tolerance: 50-200mm: ±5mm.  
 201-400mm: ±7mm.

CABLE SIZE:  
 1 = RG178 CABLE, COLOR: BROWN  
 2 =  $\phi$ 1.13MM CABLE, COLOR: GRAY

WASHER AND NUT OPTIONS:  
 BLANK = SEPARATELY PACKED (STANDARD)  
 A = ASSEMBLED WITH CONNECTOR

ORIENTATION OPTIONS:  
 BLANK = DOES NOT HAVE A FIXED ORIENTATION  
 F1 = OPPOSITE ORIENTATION (L=50-200MM)  
 F2 = SAME ORIENTATION (L=50-200MM)  
 F3 = LEFT CONNECTION SAME AS D-FLAT (L=50-200MM)  
 F4 = LEFT CONNECTION OPPOSITE TO D-FLAT (L=50-200MM)  
 (SEE NOTES 1, 2, 3 AND DIAGRAMS FOR MORE INFORMATION)



REV. DATE & DRN  
 10 27/04/20 - NYW RELEASE  
 11 06/05/20 - NYW  
 12 03/06/20 - NYW 2  
 13 02/07/20 - NYW  
 14 08/08/20 - NYW  
 15 09/09/20 - NYW  
 16 10/10/20 - NYW  
 17 11/11/20 - NYW  
 18 12/12/20 - NYW  
 19 01/01/21 - NYW  
 20 02/02/21 - NYW  
 21 03/03/21 - NYW  
 22 04/04/21 - NYW  
 23 05/05/21 - NYW  
 24 06/06/21 - NYW  
 25 07/07/21 - NYW  
 26 08/08/21 - NYW  
 27 09/09/21 - NYW  
 28 10/10/21 - NYW  
 29 11/11/21 - NYW  
 30 12/12/21 - NYW

Scale: NTS	THIRD ANGLE	Unstated X XX XXX ANGLES	Tolerances: N/A N/A N/A N/A
Drawn: NYW			
App'd: XXX	Title CABLE ASSEMBLY		
Date: 24 JUL '20	Revision: 12	Unit: mm	



IP67/68 Rated Cables  
 www.gradconn.com  
 THIS DRAWING IS CONFIDENTIAL AND MUST NOT BE COPIED OR DISCLOSED WITHOUT WRITTEN CONSENT

Type: Cable 395 RF
CABLE 395 RF
Drawing Number:
Sheet 1 of 1
Drawing © E and O E