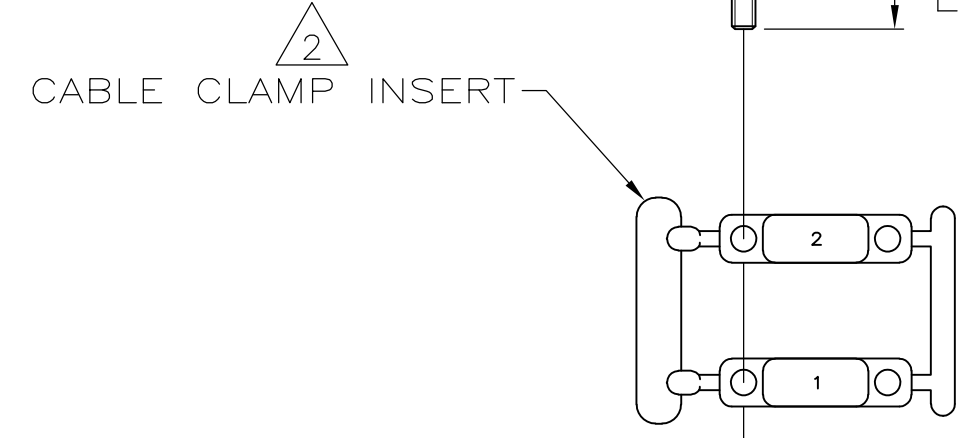
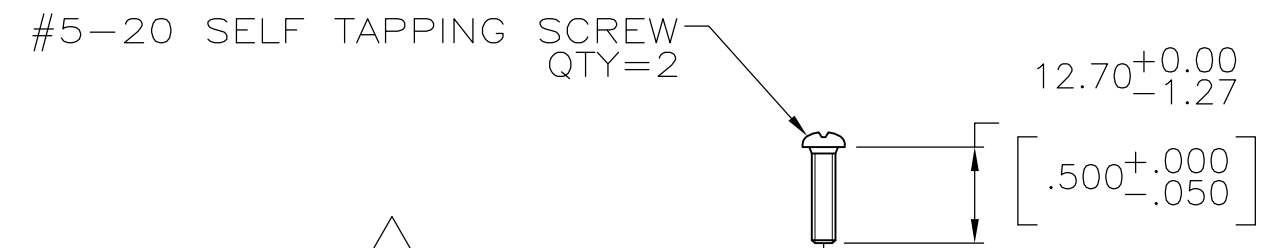
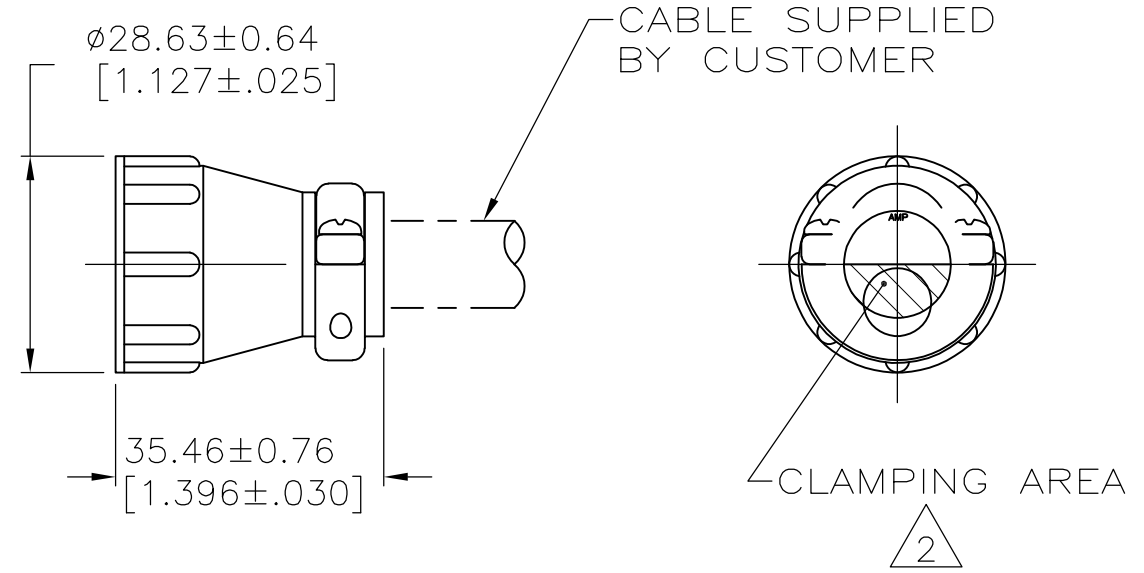


THIS DRAWING IS UNPUBLISHED. RELEASED FOR PUBLICATION
 © COPYRIGHT - By - ALL RIGHTS RESERVED.

LOC	DIST	REVISIONS					
FT	0	P	LTR	DESCRIPTION	DATE	DWN	APVD
			A2	REVISED PER ECO-11-004917	11MAR11	RK	HMR



- ① CABLE CLAMP BODY AND INSERTS: NYLON, BLACK. SCREWS: CARBON STEEL.
- ② CABLE CLAMPING AREA ADJUSTABLE FROM 0.25 [.010] TO 4.09 [.161] SQ AREA BY REVERSING OR CHANGING CLAMPING INSERTS.
- ③ 11.51 [.453] MAXIMUM CABLE OUTSIDE DIAMETER.
- ④ SCREWS: ZINC PLATE, NON-HEXAVALENT COATING.
- ⑤ OBSOLETE PARTS: OBSOLETE CIS STREAMLINING PER D.RENAUD/D.SINISI



⑤ SUPERSEDED	④	BULK	213904-4
	④	INDIVIDUAL	213904-3
	④	BULK	213904-2
	④	INDIVIDUAL	213904-1
	SCREW FINISH	PACKAGING	PART NUMBER

THIS DRAWING IS A CONTROLLED DOCUMENT.		DWN	D.HARDY	07/12/95	STE TE Connectivity		
		CHK	R.STONE	07/13/95			
		APVD	A.FRANTUM	07/14/95	NAME		
DIMENSIONS: mm [INCHES]		PRODUCT SPEC		CABLE CLAMP KIT, STANDARD, UNASSEMBLED, SIZE 17, CPC			
TOLERANCES UNLESS OTHERWISE SPECIFIED:		108-1579					
0 PLC ± -		APPLICATION SPEC					
1 PLC ± -							
2 PLC ± -							
3 PLC ± -							
4 PLC ± -							
ANGLES ± -							
FINISH							
MATERIAL ①				SIZE	CAGE CODE	DRAWING NO	RESTRICTED TO
				A3	00779	C-213904	-
CUSTOMER DRAWING				SCALE	SHEET	REV	
				1:1	1 OF 1	A2	