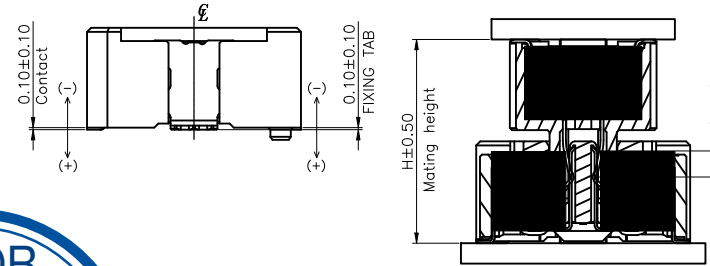
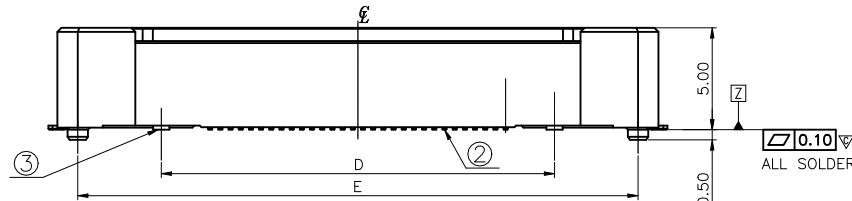
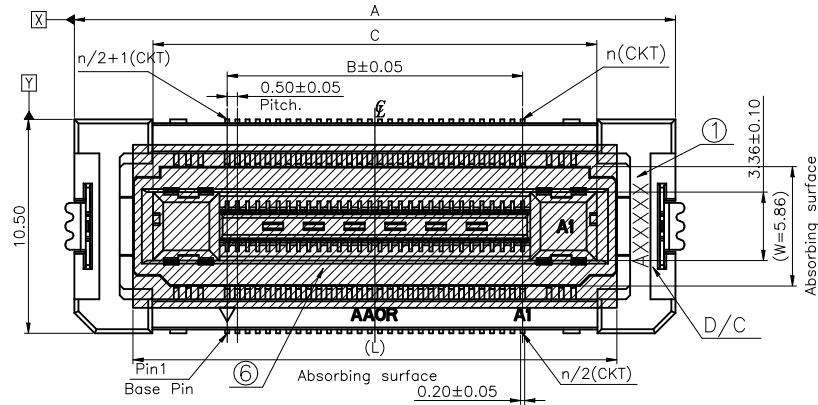


Halogen free



Mating Height List	H	PLUG PART No.
	8.00	B324 SERIES
10.00	B322 SERIES	
13.00	B344 SERIES	
15.00	B326 SERIES	
20.00	B328 SERIES	

SECTION X-X
 FLOATING RANGE TOWARD
 X DIRECTION: ±0.60
 Y DIRECTION: ±0.60
 Z DIRECTION: ±0.50
 ASSEMBLY DRAWING

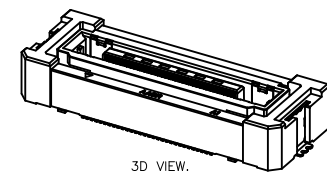
REV.	ECR/ECN No.	DESCRIPTION	DRAWN/DATE	CHECKED/DATE	APPROVED/DATE
F	/	Add PIN No. of 30PIN	SH Chen 2022-09-26	May 2022-09-26	Rain 2022-09-26
G	/	Add mating height of SH13.0	SH Chen 2022-10-19	May 2022-10-19	Rain 2022-10-19

NO.	COMPONENTS	MATERIALS	SPECIFICATION:FINISH/COLOR	QTY.
1	HOUSING	GLASS FILLED LCP, UL94V-0	BLACK	1
2	SIGNAL CONTACT	COPPER ALLOY T=0.12mm	ALL OVER Ni UNDER PLATING:40u''~120u'' CONTACT AREA: Au 4u'' MIN. SOLDER AREA: Au 2u''Min.	N
3	POWER CONTACT	COPPER ALLOY T=0.20mm	ALL OVER Ni UNDER PLATING:40u''~120u'' CONTACT AREA: Au 4u'' MIN. SOLDER AREA: Au 2u''Min.	4
4	FIXING TAP	COPPER ALLOY T=0.30mm	ALL OVER Ni UNDER PLATING:40u''~120u'' SOLDER AREA: Au 2u''Min.	2
5	GROUND BAR	SUS T=0.30mm	N/A	1
6	MYLAR	THERMOSTABLE T=0.10mm	YELLOW	1

- NOTES:
- BURRS OF CONTACT AREA ARE NOT ALLOWED AND INTERPOSITION AREA SHOULD BE 0.03MM MAX.
 - "▽" MARK IS CRITICAL CHARACTERISTIC DIMENSION.
 - ALL MATERIAL MUST BE COMPLY ROHS.
 - D/C: AXXXXX
Aorora—SHIFT LINE
YEAR—YEAR
MONTH—MONTH
DAY—DAY
 - PLUG PART NO.: SEE MATING HEIGHT LIST
 - RECE. PART NO.: B329-1B7L1-112**-E100

DIMENSION LIST:

NO. OF POS.	A	B	C	D	E	L
20	19.50	4.50	11.78	9.30	17.50	13.75
30	22.00	7.00	14.28	11.80	20.00	16.25
40	24.50	9.50	16.78	14.30	22.50	18.75
60	29.50	14.50	21.78	19.30	27.50	23.75
80	34.50	19.50	26.78	24.30	32.50	28.75
A0(100)	39.50	24.50	31.78	29.30	37.50	33.75
B0(120)	44.50	29.50	36.78	34.30	42.50	38.75

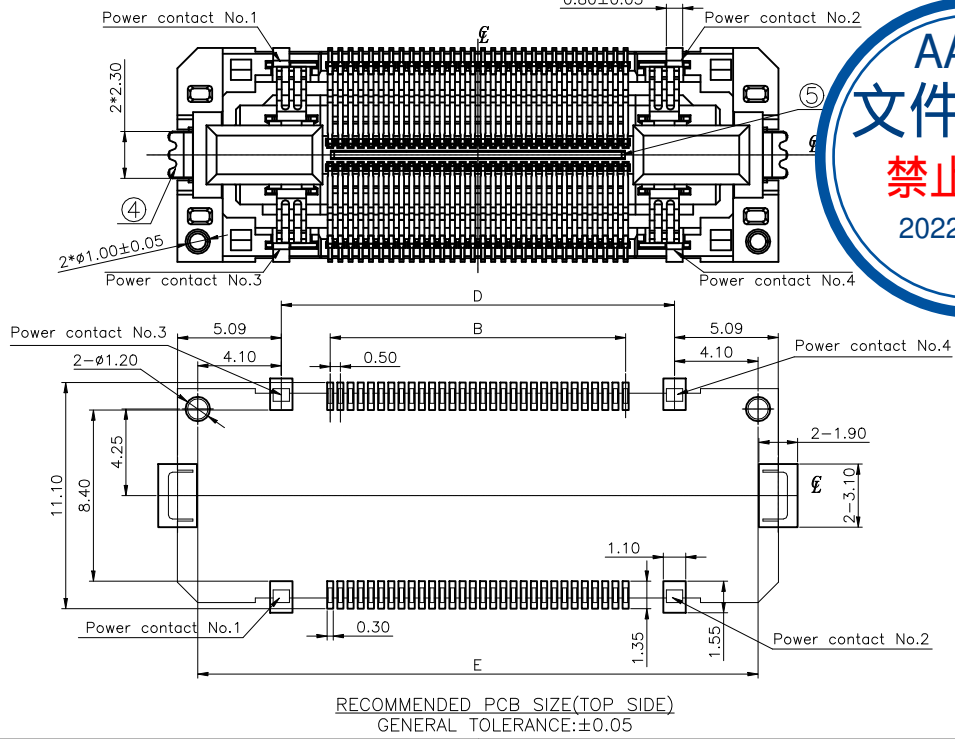


UNLESS OTHERWISE SPECIFIED TOLERANCES		ANGLE OF PROJECTION	
X. ±0.30	X. * ± 5'		
X.X ±0.25	X.X * ± 4'		
X.XX ±0.20	X.XX * ± 3'	Customer Drw	
X.XXX ±0.15	X.XXX * ± 2'	DRAWN DATE SH Chen 2022-10-19	
LINEAR DIMS	ANGLES DIMS	DESIGN DATE SH Chen 2022-10-19	
DWG NO.: A-S0676		CHECKED DATE May 2022-10-19	
MATERIAL SEE NOTES		APPROVED DATE Rain 2022-10-19	
FINISHED SEE NOTES			

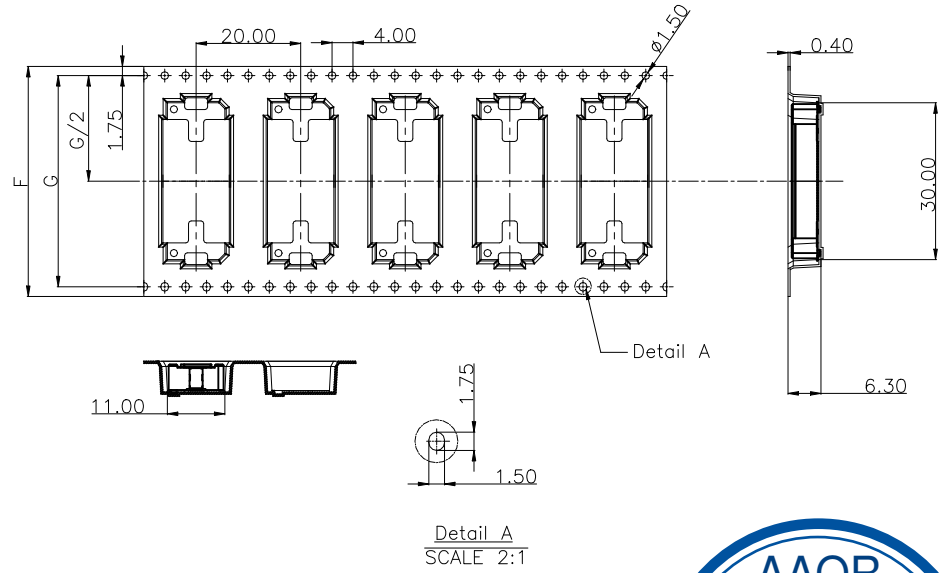
Amphenol AORORA		Amphenol Aorora Technology (Huizhou) Co.,Ltd	
TITLE: 0.5mm Pitch Floating BTB Rec. connector			
SIZE: A4	PART NUMBER: B329-1B7L1-112**-E100	REV. G	
SCALE: 4:1	UNIT: mm	SHEET 1 OF 2	



This document is the property of and embodies CONFIDENTIAL and PROPRIETARY information of AAOR. No part of the information shown on this document may be used in any way or disclosed to others without the written consent of AAOR. © 2019 AAOR

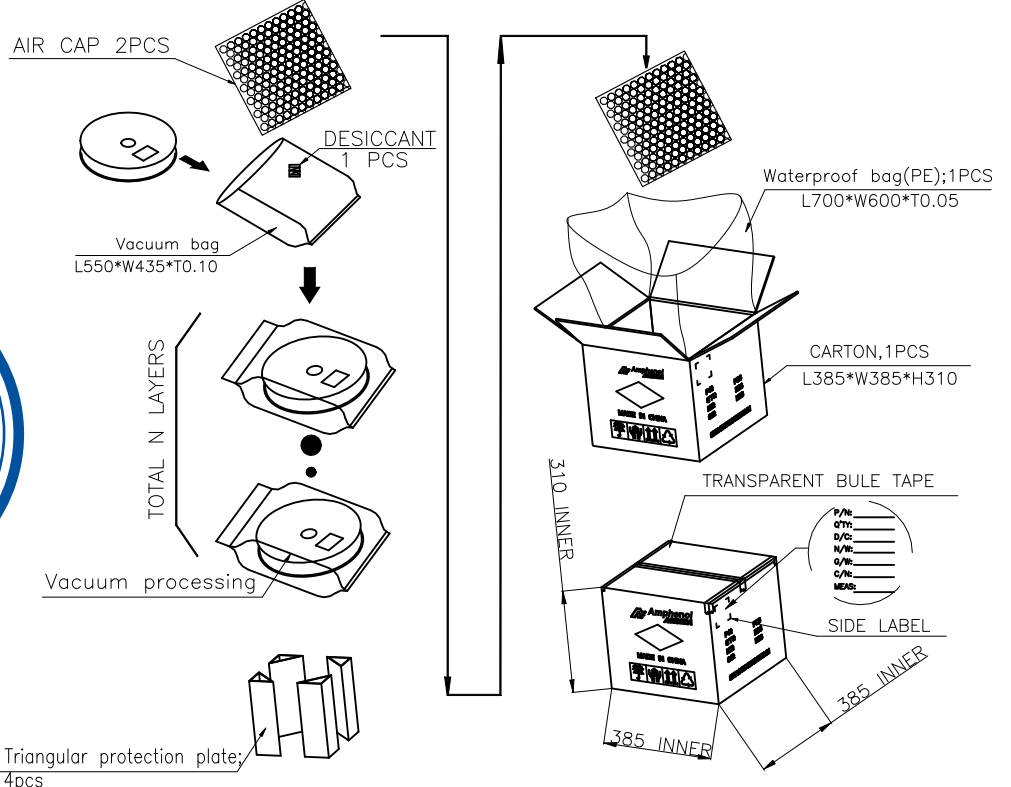


PULL OUT DIRECTION

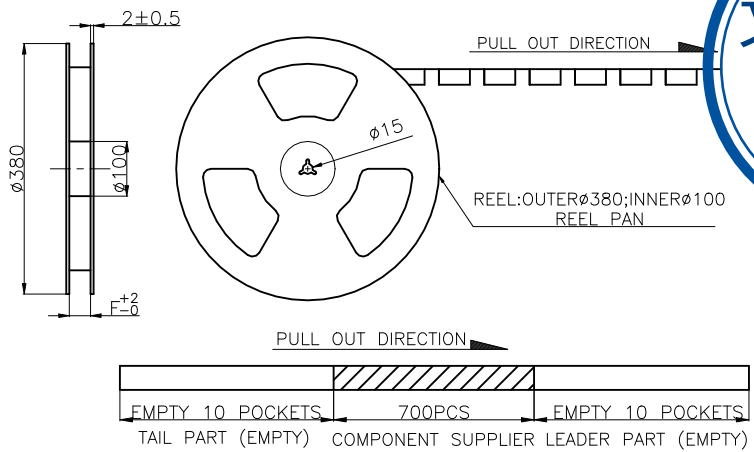


5. QTY LIST:

DIM NO.	20~60pin	80pin	100pin	120pin
F	44.00	56.00	56.00	72.00
G	40.40	52.40	52.40	68.40
N	6	5	5	4
TOTAL(PCS)	4200	3500	3500	2800



Amphenol AORORA



- NOTES:
- MATERIAL:
 - CARRY TAPE:HIPS,T=0.50mm,CLEAR
 - REEL:HIPS,BLUE.
 - SHIM:PE,CLEAR.
 - PRIMARY PACKING:700PCS/REEL.
 - SECONDARY PACKING:"N"REELS/CARTON ("TOTAL"=N*700/CARTON).
 - PEELING RESISTANCE: 0.4N~1.4N(40~140gf);
PEELING ANGLE: 165°~180°;
PEELING SPEED: 300mm/minutes.

UNLESS OTHERWISE SPECIFIED TOLERANCES			ANGLE OF PROJECTION		Amphenol AORORA		
X.	±0.30	X. *	± 5'			Amphenol Aorora Technology (Huizhou) Co.,Ltd	
X.X	±0.25	X.X *	± 4'				
X.XX	±0.20	X.XX *	± 3'	Customer Drw		TITLE: 0.5mm Pitch Floating BTB Rec. connector	
X.XXX	±0.15	X.XXX *	± 2'	DOC TYP	DATE	SH Chen	2022-10-19
LINEAR DIMS		ANGLES DIMS		DESIGN	DATE	SH Chen	2022-10-19
DWG NO.: A-S0676				CHECKED	DATE	May	2022-10-19
MATERIAL		SEE NOTES		APPROVED	DATE	Rain	2022-10-19
FINISHED		SEE NOTES				SCALE	1:1
						UNIT	mm
						SHEET	2 OF 2
						REV.	G
						SIZE	A4
						PART NUMBER:	B329-1B7L1-112**-E100

This document is the property of and embodies CONFIDENTIAL and PROPRIETARY information of AAOR. No part of the information shown on this document may be used in any way or disclosed to others without the written consent of AAOR. © 2019 AAOR