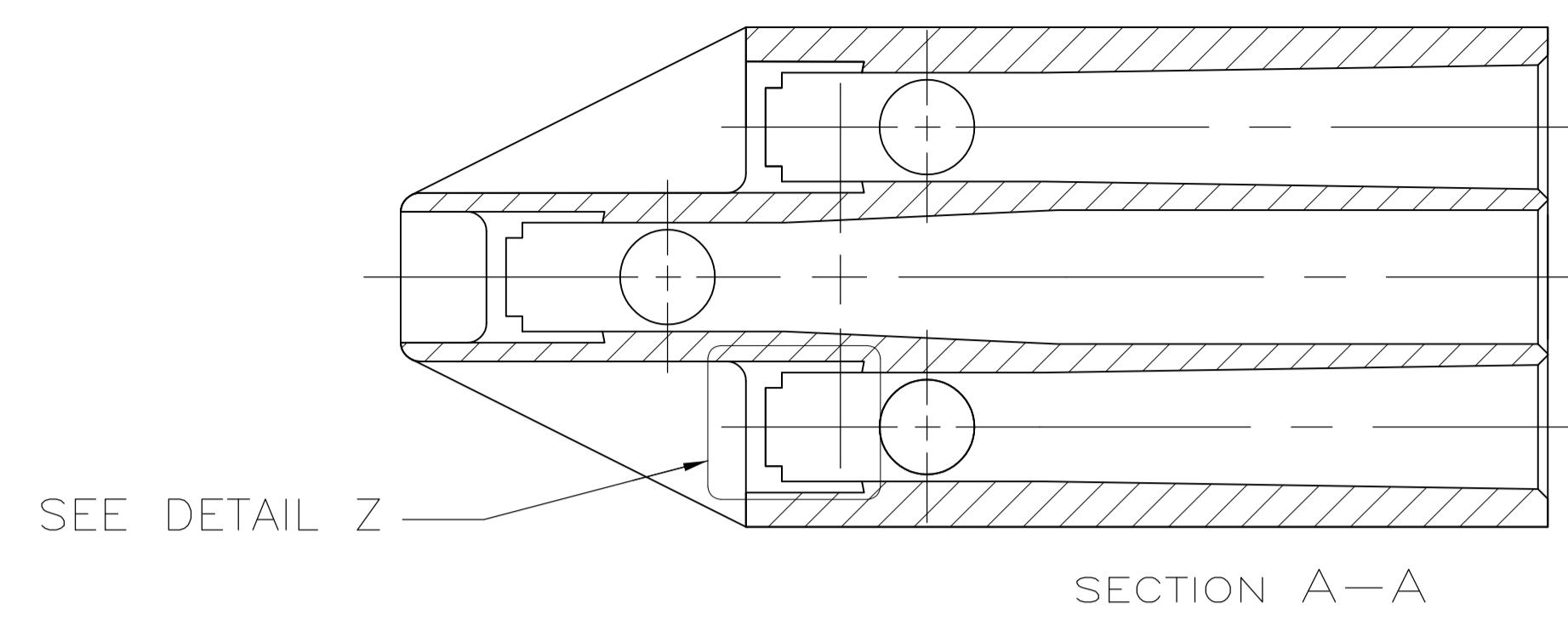
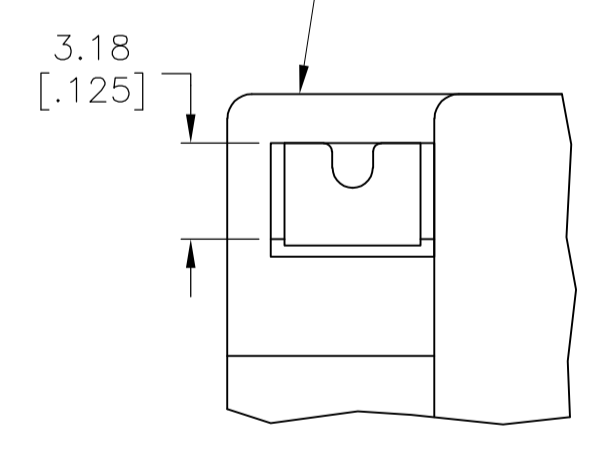
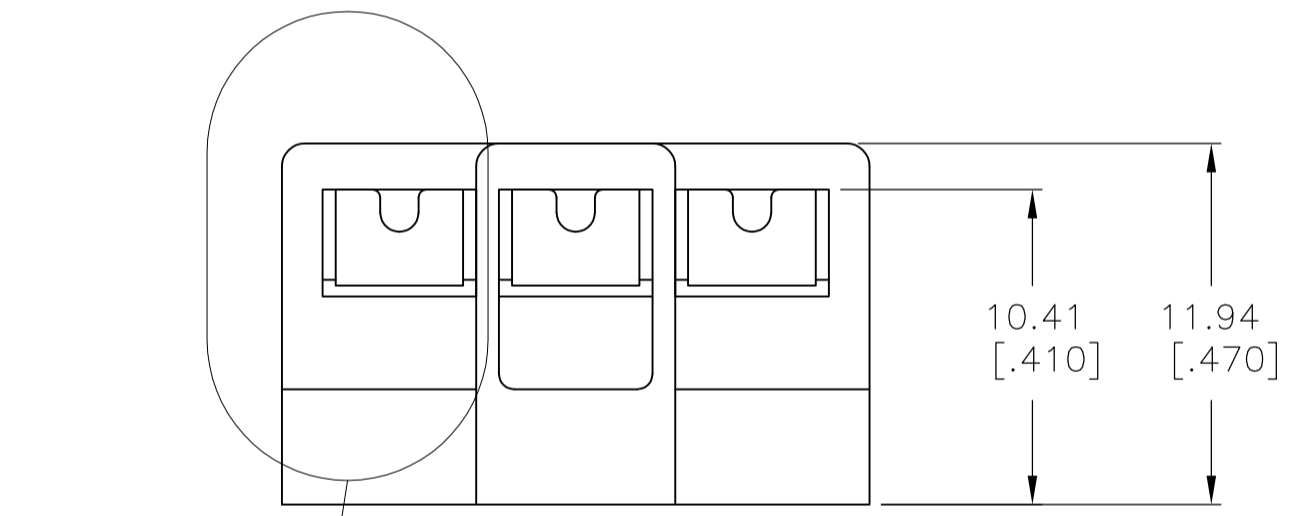
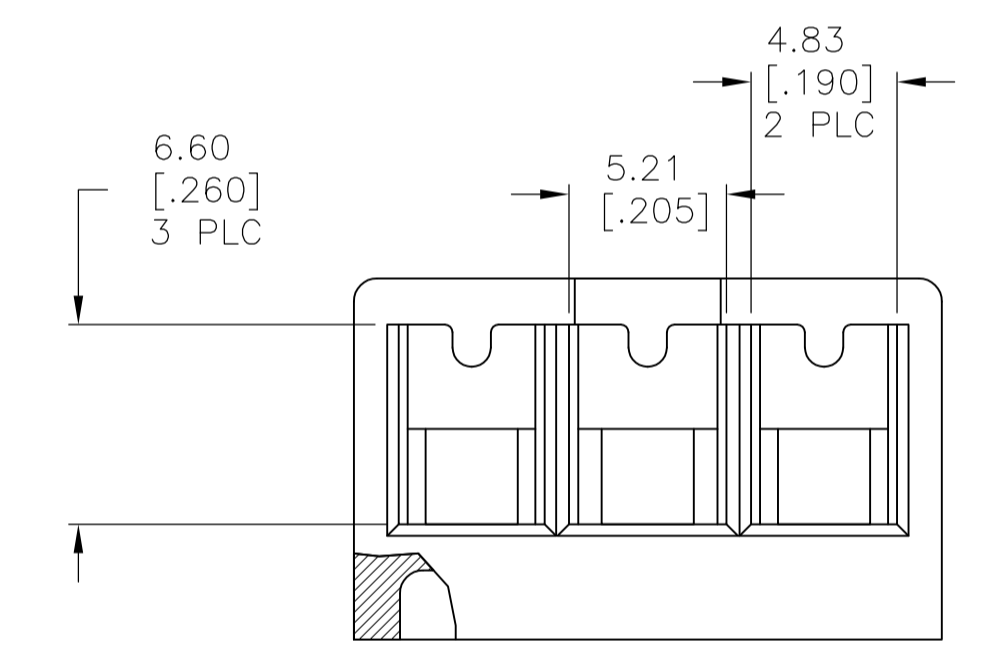
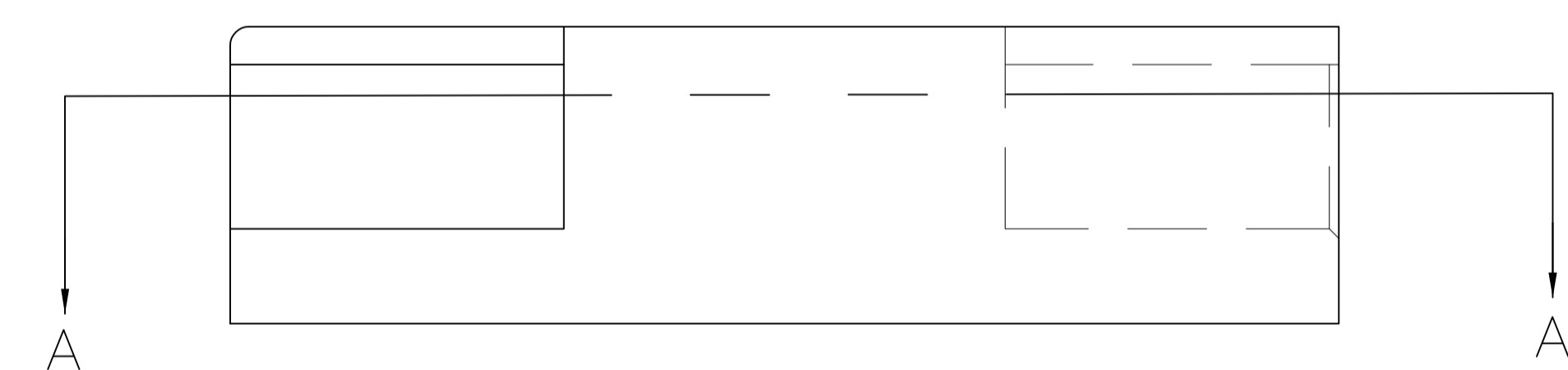
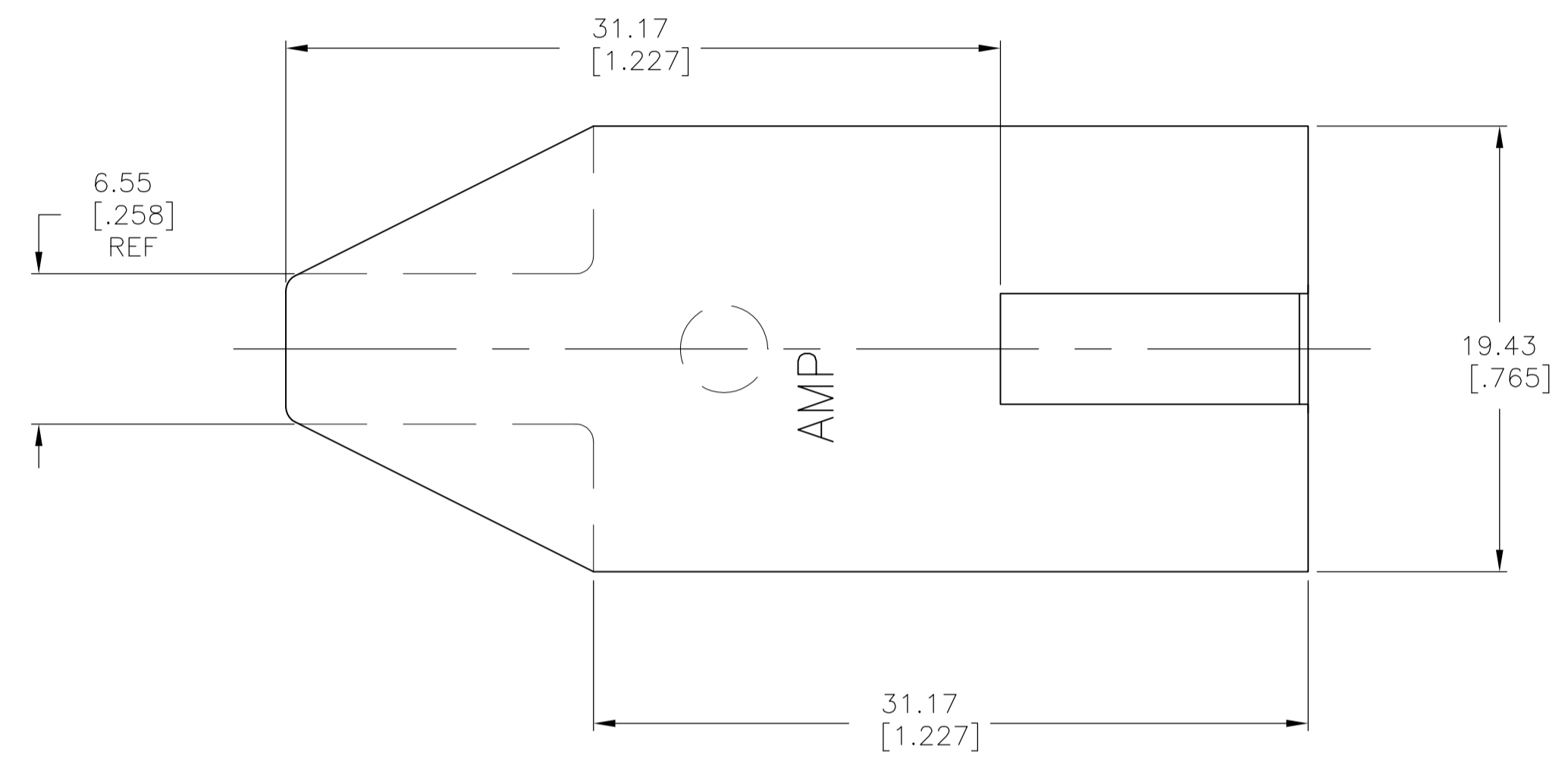


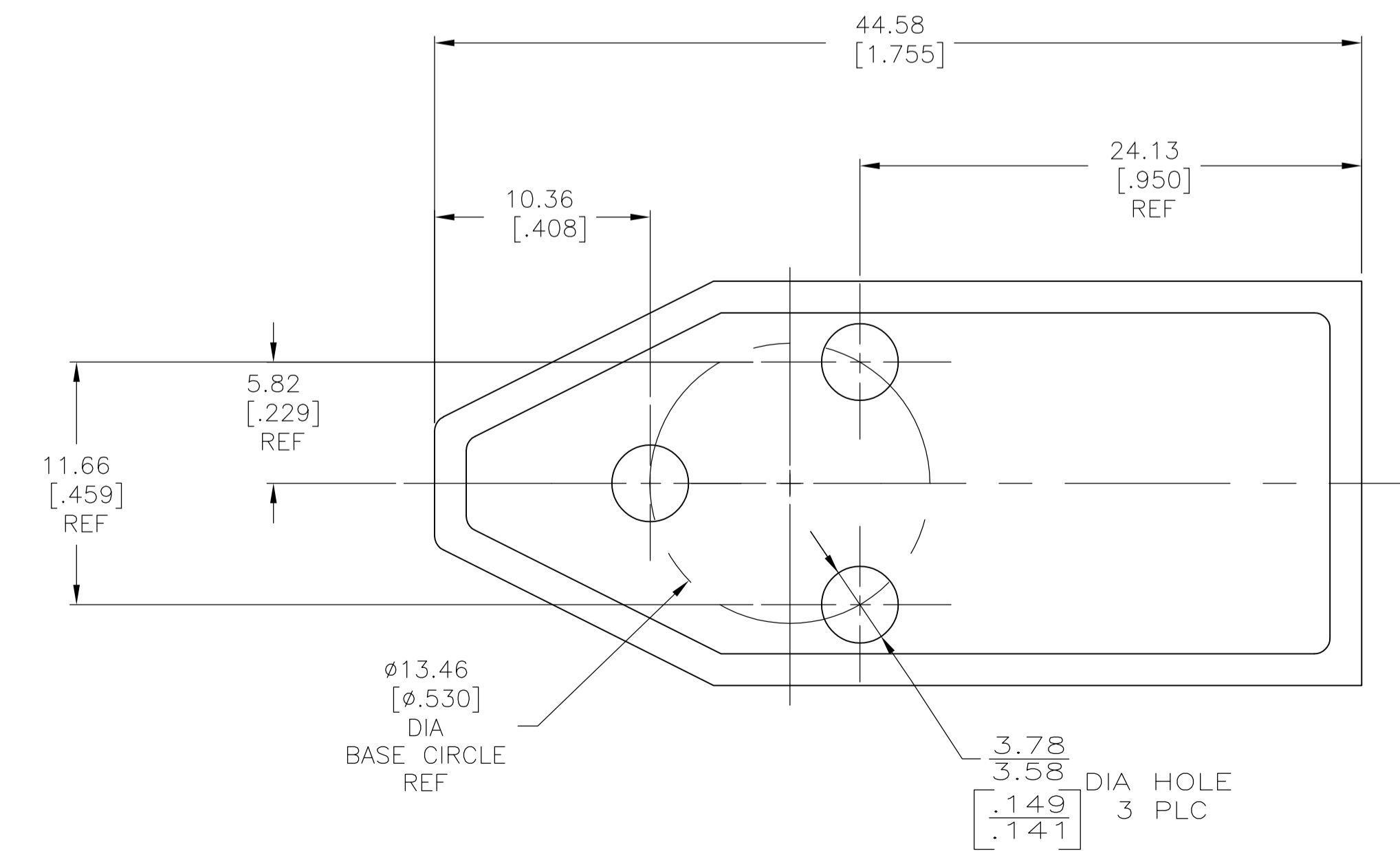
DETAIL Z
SCALE 8:1
TYP



1 HOUSING ACCEPTS 3.18 [.125] DIA CLUSTER PIN RECEPTACLES
AMP PART NOS



SCALE - 10:1



FOREIGN PRODUCTION ONLY	VALOX 325	360052-3
OBSELETE FOREIGN PRODUCTION ONLY	CRASTIN S-600	360052-2
	PBT UNFILLED	360052-1
	MATERIAL	PART NO

THIS DRAWING IS A CONTROLLED DOCUMENT.		DIN PHILLIP M FORTNEY 22/MAY/96	Tyco Electronics Corporation Harrisburg, PA 17105-3608	
DIMENSIONS: mm [INCHES]		CHK JEFF R RUTH 22/MAY/96	APVD DON DECKER 22/MAY/96	
TOLERANCES UNLESS OTHERWISE SPECIFIED:		NAME		
0 PLC ± -	1 PLC ± -	PRODUCT SPEC		
2 PLC ± 0.25 [010]	3 PLC ± -	108-2008		
4 PLC ± -	ANGLES ± -	APPLICATION SPEC		
MATERIAL SEE TABLE		FINISH -		RESTRICTED TO
WEIGHT -		SIZE A1	CAGE CODE 00779	DRAWING NO 360052
CUSTOMER DRAWING		SCALE 4:1		SHEET 1 OF 1