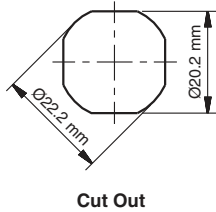


# CAM LOCK - T HANDLE



\*Example with cam. Cam sold separately.

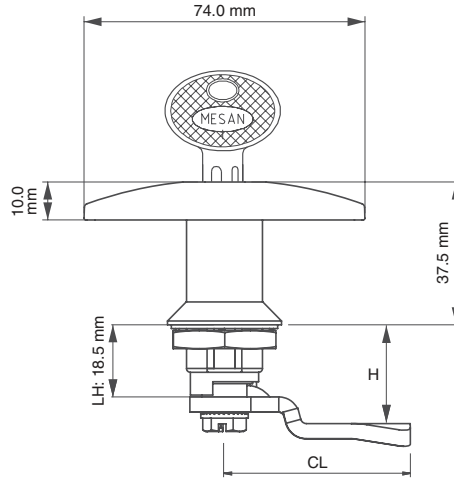


### Specifications

- Material:  
Housing: Zinc Alloy (Zamak) DIN-EN 1774-ZnAl4Cu1  
Cam: Steel or Plastic  
Gasket: Rubber

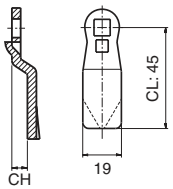
### Features

- Quarter-turn operation
- Available in all die-cast zinc alloy or with polyamide wing handle and housing
- Optional blind version
- Applications: Electric panels, machinery covers



Item Number				
Zinc Alloy / Chrome	Zinc Alloy / Black	Nylon / Black	Driver	Cam
110110000	110120000	110200000	T Handle/Non Locking	Select Cam Below
110110100	110120100	110200100	T Handle/Keyed alike	Select Cam Below

### Steel Cam

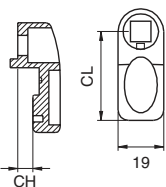


Material: Steel  
Finish: Zinc plated  
Thickness: 4 mm

Item Number	CH (mm)	CL (mm)	H (mm)
30403033	0	45	18.5
30403439	1	45	19.5
30403159	2	45	20.5
30403063	3	45	21.5
30403149	4	45	22.5
30403160	6	45	24.5
30403161	8	45	26.5
30403162	10	45	28.5
30403045	12	45	30.5
30403163	14	45	32.5
30403151	16	45	34.5
30403165	18	45	36.5

Item Number	CH (mm)	CL (mm)	H (mm)
30403166	20	45	38.5
30403167	22	45	40.5
30403168	24	45	42.5
30403169	-2	45	16.5
30403170	-4	45	14.5
30403171	-6	45	12.5
30403172	-8	45	10.5
30403173	-10	45	8.5
30403174	-12	45	6.5
30403175	-14	45	4.5

### Nylon Cam



Item Number	CH (mm)	CL (mm)	H (mm)
30402004	0	35	18.5
30402011	0	25	18.5
30402005	6	35	24.5
30402008	4	45	22.5
30402013	-4	45	14.5