

CODE	DIM "M" MATING LENGTH	CONTACT TYPE
PA	[N/A]	POWER
E	[6.86]	SIGNAL
H	[5.59]	SIGNAL
HA	[N/A]	HOLD-DOWN
X		OMITTED

spec ref	See Notes		dr	Jackie Huang	2013/05/31	projection 	MM ←→	size	A4	scale	1:1
tolerance std	TOLERANCES UNLESS OTHERWISE SPECIFIED		eng	De-Ming Lu	2014/07/29			ecn no	-		
See Notes			chr	-	-			rel level	Released		
surface	linear	0.X ±0.50	FCI www.fci.com	title			dwg no	51952-244	rev	A	
		0.XX ±0.25		I0DCP+44S+I0DCP							
		0.XXX ±0.10		VERTICAL STB HEADER							
	angular	0° ±2°	cat. no.	&model_name	Product - Customer Drw		sheet 1 of 4				



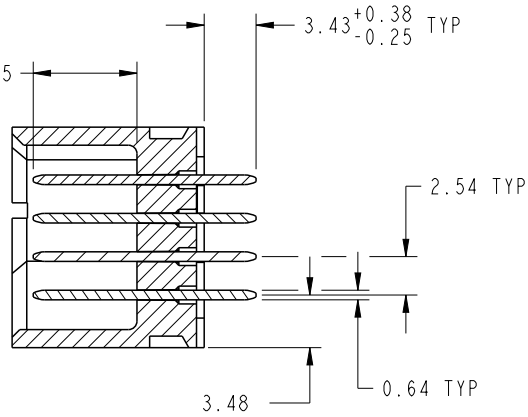
Copyright FCI.

Prod File - REV C - 2009-06-09

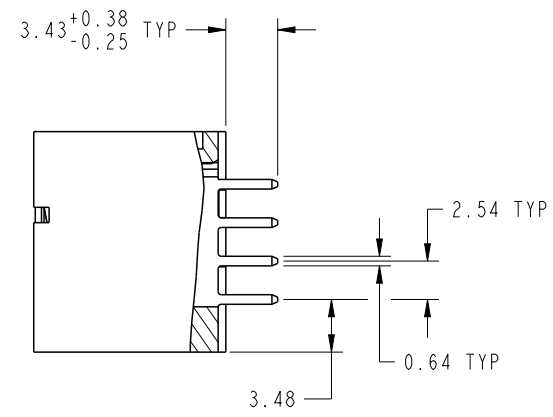
PRODUCT NUMBER

51952-244--  
NOTE 3

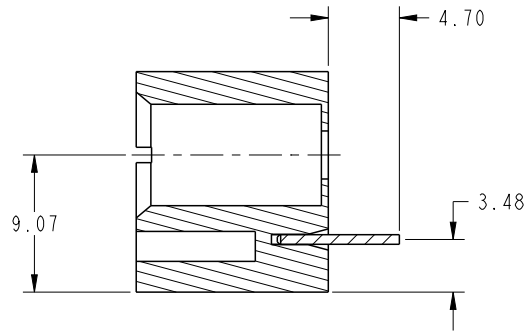
DIM "M" ±0.25



SECTION A-A  
SCALE 2:1



SECTION B-B  
SCALE 2:1



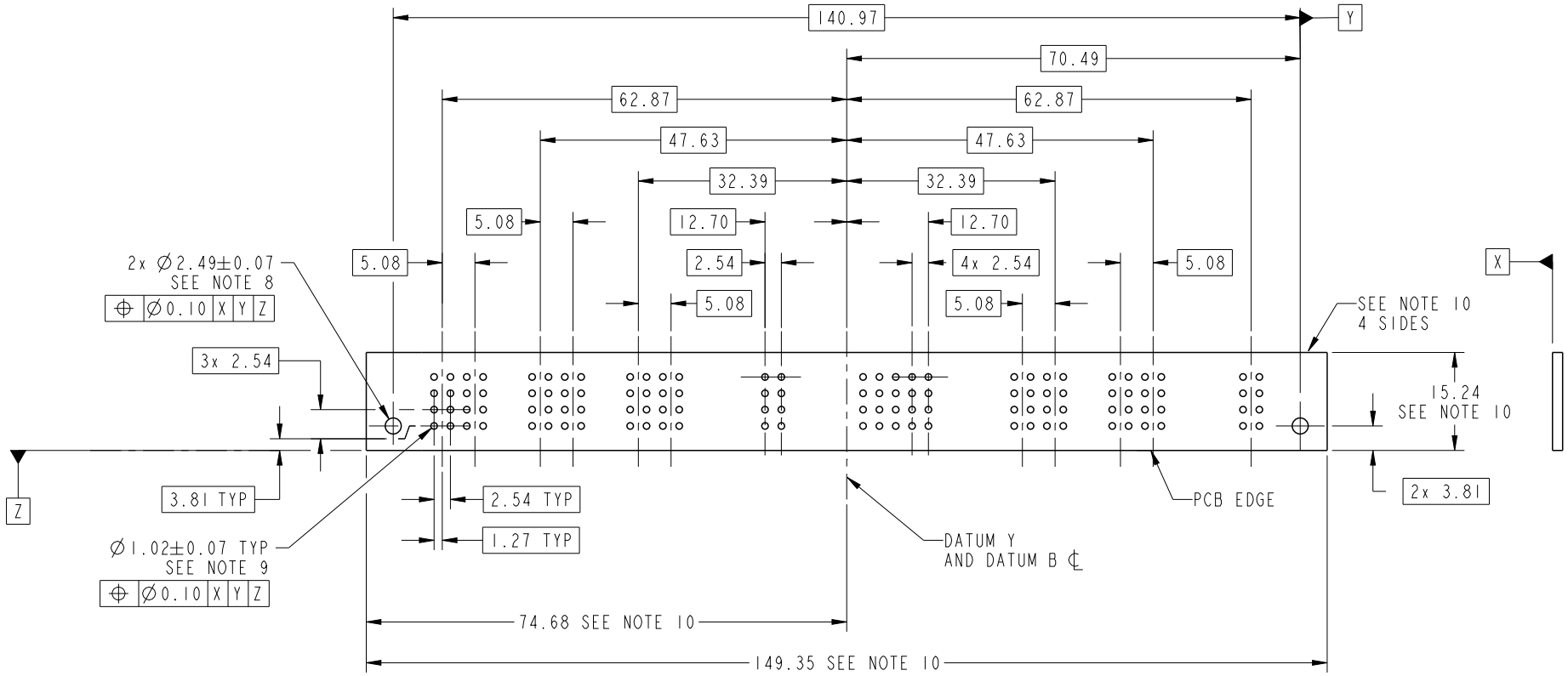
SECTION C-C  
SCALE 2:1

dr	Jackie Huang	2013/05/31	projection 	MM 	size	A4	scale	1:1
eng	De-Ming Lu	2014/07/29			ecn no	-		
chr	-	-			rel level	Released		
appr	Pei-Ming Zheng	2014/07/29	product family	PwrBlade	rev	A		
		title I0DCP+44S+I0DCP VERTICAL STB HEADER	dwg no 51952-244	cat. no. & model_name Product - Customer Drw	sheet 2 of 4			



Copyright FCI.

PRODUCT NUMBER  
51952-244\_\_  
NOTE 3



RECOMMENDED PCB LAYOUT

dr	Jackie Huang	2013/05/31	projection 	MM 	size	A4	scale	1:1	
eng	De-Ming Lu	2014/07/29			ecn no	-			
chr	-	-			rel level	Released			
appr	Pei-Ming Zheng	2014/07/29	product family	PwrBlade					
		title	I0DCP+44S+I0DCP VERTICAL STB HEADER		dwg no	51952-244		rev	A
www.fci.com		cat. no.	&model_name	Product - Customer Drw		sheet 3 of 4			



Copyright FCI.

PRODUCT NUMBER

51952-244\_\_  
NOTE 3

NOTES:

1. DIMENSIONS AND TOLERANCES ARE IN ACCORDANCE WITH ASME Y14.5M, 1994 UNLESS OTHERWISE SPECIFIED.

CONNECTOR NOTES:

- 2 HOUSING MATERIAL: UL 94 V-0 GLASS FILLED HIGH-TEMP THERMOPLASTIC  
POWER CONTACT MATERIAL: COPPER ALLOY  
SIGNAL PIN MATERIAL: COPPER ALLOY
  - 3. SEE ITEM 1 & 2 IN PRINT 10064183 FOR PLATING SPEC OF 51952-244 AND 51952-244LF RESPECTIVELY.
  - 4 MANUFACTURER'S NAME, DATE CODE AND OPTIONAL P/N TO APPEAR ON THIS SURFACE. THE MARK CAN BE OMITTED IF THERE IS NOT ENOUGH SPACE ON THIS SURFACE.
  - 5. PRODUCT SPECIFICATION GS-12-149.  
APPLICATION SPECIFICATION BUS-20-067.
  - 6. PACKAGED IN TRAYS.
- PCB NOTES:
- 7. ALL HOLE DIAMETERS ARE FINISHED HOLE SIZE.
  - 8. MOUNTING HOLES, WHERE APPLICABLE, ARE UNPLATED.

9  $\varnothing 1.151 \pm 0.025$  DRILLED HOLES PLATED WITH 0.008 MIN SnPb OR Sn OVER .001 [0.03] TO 0.08 Cu PLATING TO ACHIEVE  $\varnothing 1.02 \pm 0.07$  HOLE.

10 CONNECTOR KEEP-OUT ZONE.

dr	Jackie Huang	2013/05/31	projection 	MM 	size	A4	scale	1:1	
eng	De-Ming Lu	2014/07/29			ecn no	-			
chr	-	-							
appr	Pei-Ming Zheng	2014/07/29	product family	PwrBlade	rel level	Released			
		title	10DCP+44S+10DCP VERTICAL STB HEADER		dwg no	51952-244		rev	A
www.fci.com		cat. no.	&model_name	Product - Customer Draw		sheet 4 of 4			



Copyright FCI.