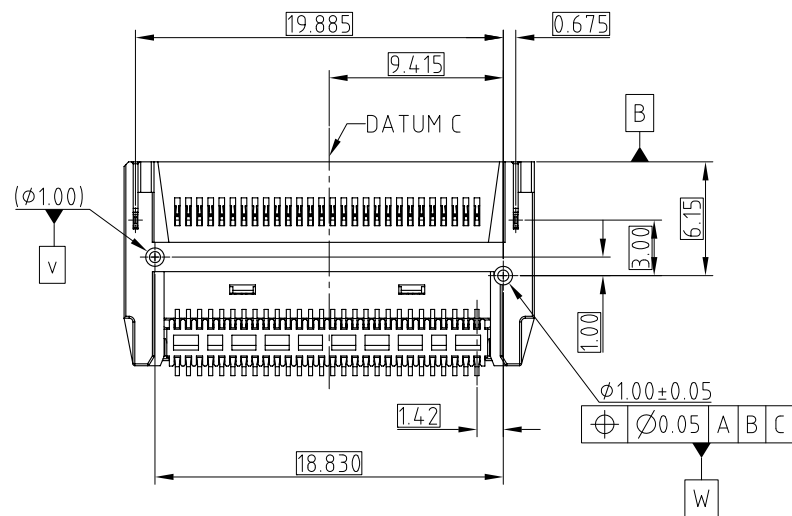
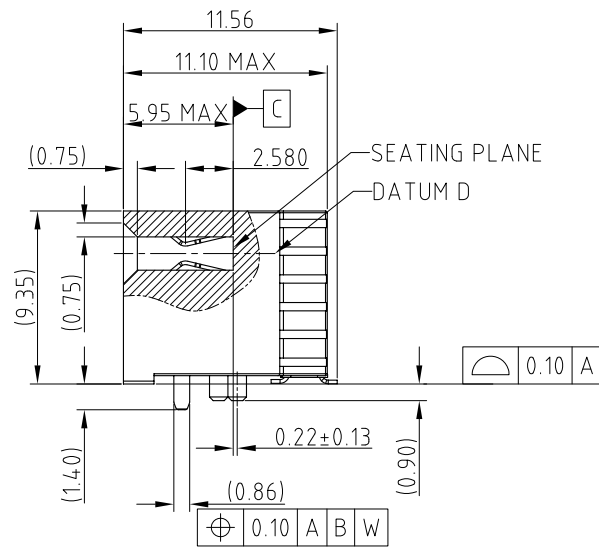
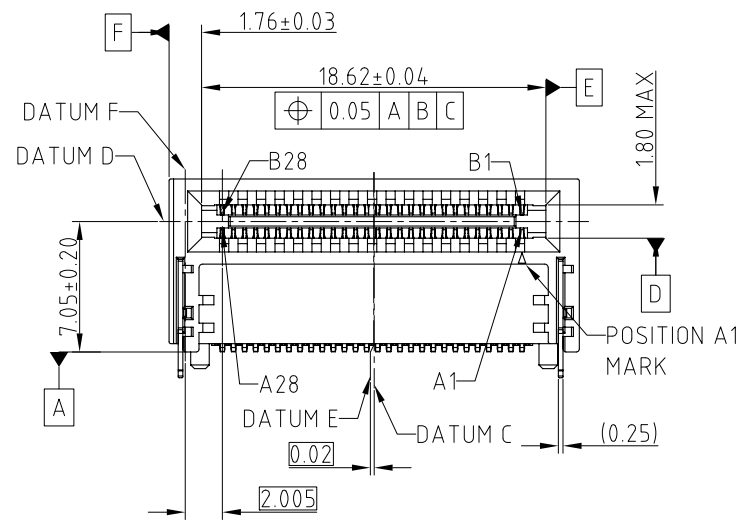
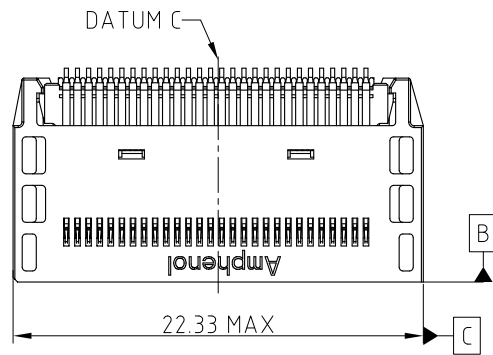


This document is the property of Amphenol Corporation and is delivered on the express condition that it is not to be disclosed, reproduced or used, in whole or in part, for manufacture or sale by anyone other than Amphenol Corporation without its prior consent, & that no right is granted to disclose or to use any information in this document.

# CUSTOMER DRAWING

| REVISIONS |        |             |             |          |
|-----------|--------|-------------|-------------|----------|
| SYM       | ECN    | DESCRIPTION | DATE        | APPROVED |
| 1         | CDXXXX | PROPOSAL    | Nov.20,2020 | YH       |



**NOTE:**

- MATERIAL:  
HOUSING: HIGH TEMPERATURE THERMOPLASTIC, BLACK, UL94-V0  
CONTACT: COPPER ALLOY  
BOARDLOCK: COPPER ALLOY
- FINISHED:  
CONTACT: MATING AREA: Au THICKNESS PLEASE REFER TO P/N SYSTEM  
OVER 1.27-2.54 um NICKEL UNDERPLATED  
SOLDER AREA: 1.27 um MIN TIN OVER 1.27-2.54 um NICKEL UNDERPLATED  
BOARDLOCK: 1.27 um MIN TIN OVER 1.27-2.54 um NICKEL UNDERPLATED
- ELECTRICAL PERFORMANCE:  
RATED CURRENT: 1.1A/PIN UP TO 12PINS  
LLCR: DELTA 15mΩ MAX  
INSULATION RESISTANCE: 1000MΩ MIN
- DURABILITY: 200 CYCLES.
- MATERIAL SHOULD BE FULFILLED AMPHENOL SPEC# S-SN-002 AND S-SN-004.
- ORDERING PART NUMBER REFER TO BELOW PART NUMBER LIST TABLE

|                 |            |
|-----------------|------------|
| ME1005610211085 | 0.38um GXT |
| ME1005610211084 | 0.76um GXT |
| ME1005610211083 | GOLD FLASH |
| ME1005610211082 | 0.38um Au  |
| ME1005610211081 | 0.76um Au  |
| PART NUMBER     | PLATING    |



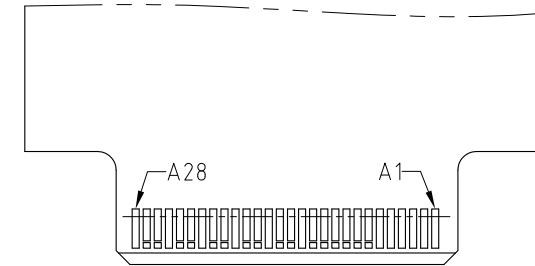
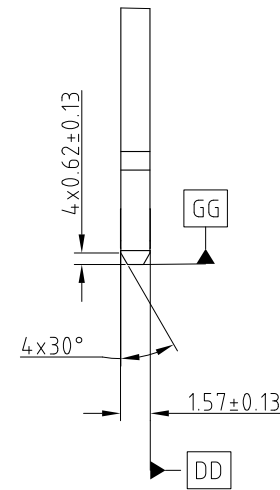
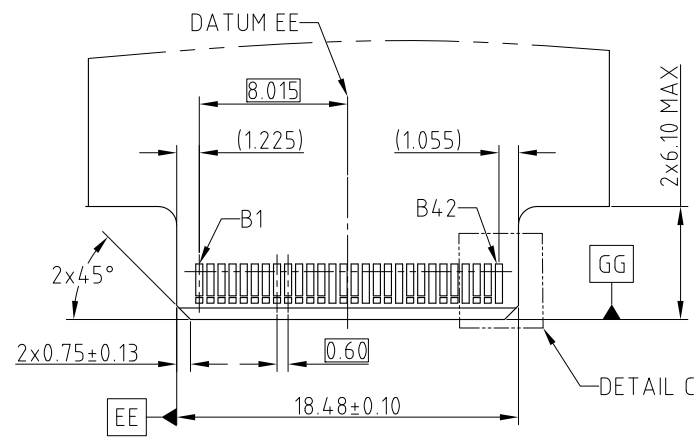
| UNLESS OTHERWISE SPECIFIED TOLERANCES |        | APPROVAL                              |        | DATE        |
|---------------------------------------|--------|---------------------------------------|--------|-------------|
| U.S.                                  | METRIC | DRAWN                                 | Johnny | Nov.20,2020 |
| .X +/-                                | 0.50   | CHECKED                               | Ly.yi  | Nov.20,2020 |
| .XX +/-                               | 0.25   | APPROVED                              |        |             |
| .XXX +/-                              | 0.15   | DRAWING FILE :                        |        |             |
| FRACTIONS +/-                         | 5°     | INTERNAL\DRAWING\CE\C ME100561021108X |        |             |
| ANGLES +/-                            | 5°     | ANGLE OF PROJECTION                   |        |             |
| FOR MATERIALS AND FINISHES SEE NOTES  |        |                                       |        |             |
| REMOVE SHARP EDGES                    |        |                                       |        |             |
| DIMENSIONS                            |        |                                       |        |             |
| U.S.                                  | INCHES |                                       |        |             |
| (METRIC)                              | (MM)   |                                       |        |             |

|  |                   |              |
|--|-------------------|--------------|
| <b>Amphenol</b>  |                   |              |
| TITLE  |                   |              |
| MINI COOL EDGE CONNECTOR<br>56PIN R/A 0.6mm PITCH 7.05 |                   |              |
| SIZE   | DRAWING NO.       | REV.         |
| A3   | C ME100561021108X | 1            |
| SCALE  | NONE              | SHEET 1 OF 3 |

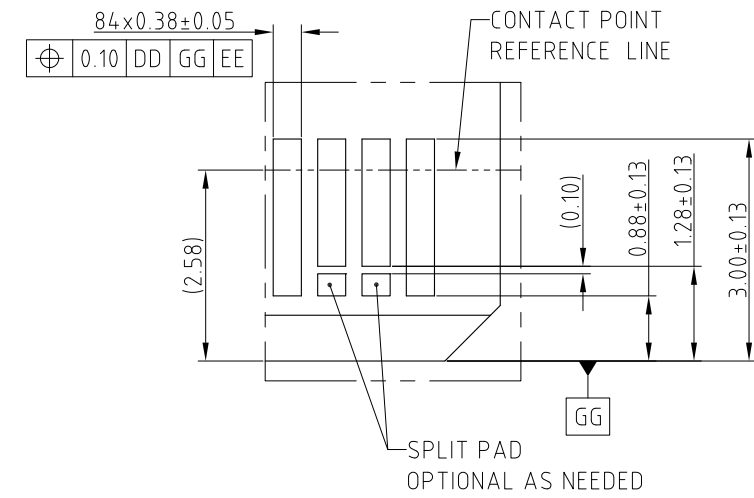
This document is the property of Amphenol Corporation and is delivered on the express condition that it is not to be disclosed, reproduced or used, in whole or in part, for manufacture or sale by anyone other than Amphenol Corporation without its prior consent, & that no right is granted to disclose or to use any information in this document.

# CUSTOMER DRAWING

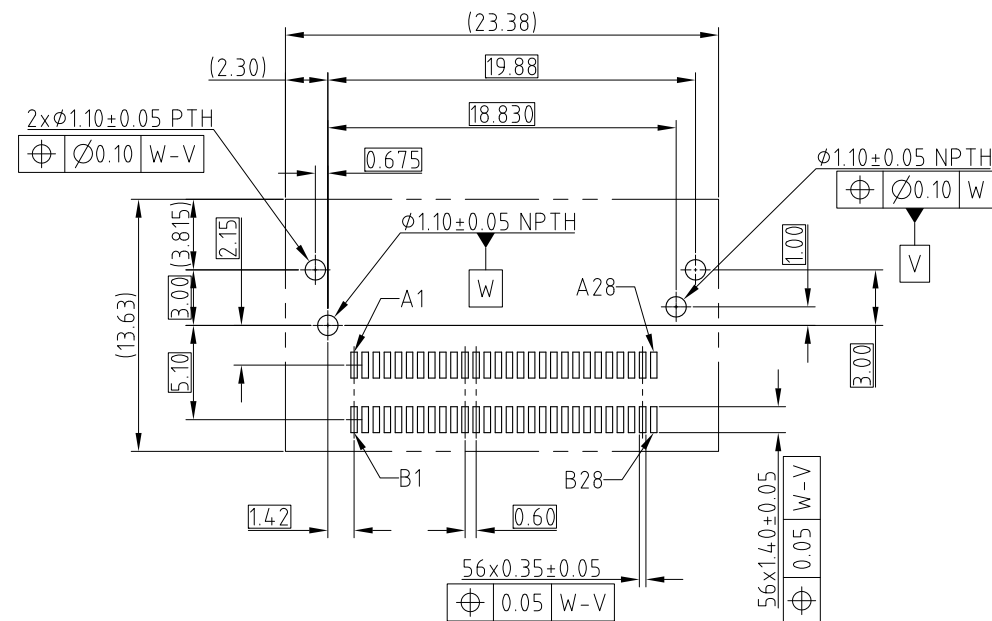
| REVISIONS |     |             |      |          |
|-----------|-----|-------------|------|----------|
| SYM       | ECN | DESCRIPTION | DATE | APPROVED |
|           |     | SEE SHEET 1 |      |          |



RECOMMENDED AIC MATING CARD



DETAIL C  
SCALE 4:1



RECOMMENDED FOOTPRINT



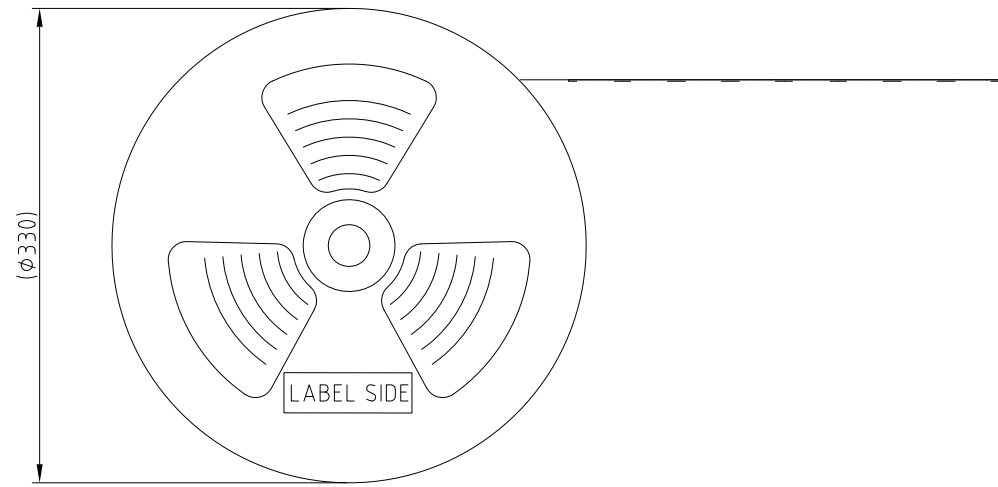
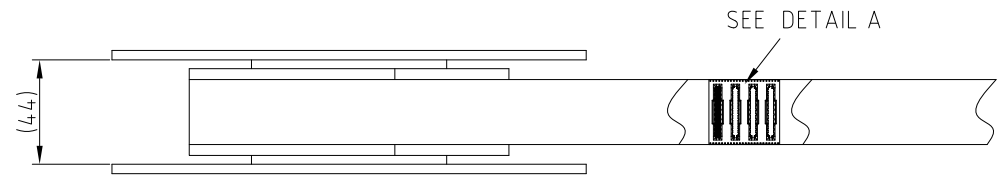
|  |                                      |             |
|--|--------------------------------------|-------------|
| UNLESS OTHERWISE SPECIFIED TOLERANCES<br>U.S. METRIC<br>.X +/-<br>.XX +/-<br>.XXX +/-<br>FRACTIONS +/-<br>ANGLES +/-<br>FOR MATERIALS AND FINISHES SEE NOTES<br>REMOVE SHARP EDGES<br>DIMENSIONS<br>U.S. INCHES<br>(METRIC) (MM) | APPROVAL                             | DATE        |
|  | DRAWN Johnny                         | Nov.20,2020 |
|  | CHECKED Ly.yi                        | Nov.20,2020 |
|  | APPROVED                             |             |
| DRAWING FILE :   | INTERNAL\DRAWING\CEC ME100561021108X |             |
| ANGLE OF PROJECTION  |                                      |             |

|   |                                  |              |
|---|----------------------------------|--------------|
| Amphenol  |                                  |              |
| TITLE<br>MINI COOL EDGE CONNECTOR<br>56PIN R/A 0.6mm PITCH 7.05 |                                  |              |
| SIZE<br>A3  | DRAWING NO.<br>C ME100561021108X | REV.<br>1    |
| SCALE   | NONE                             | SHEET 2 OF 3 |

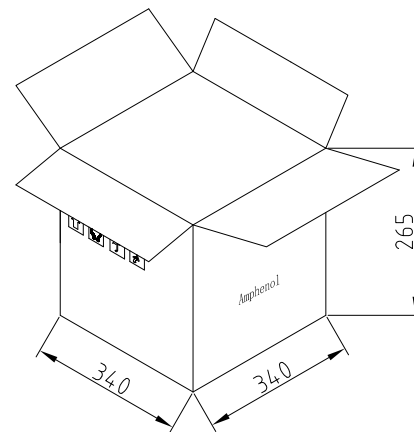
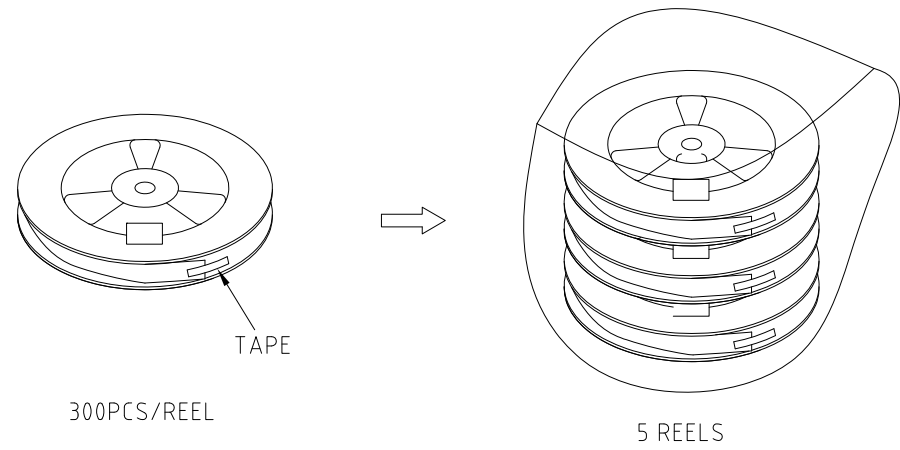
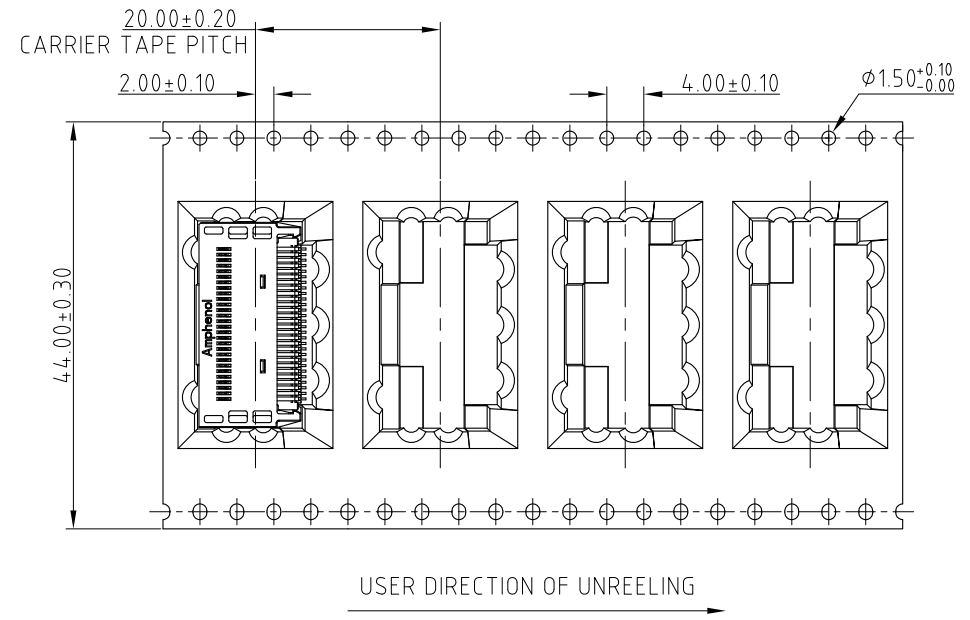
This document is the property of Amphenol Corporation and is delivered on the express condition that it is not to be disclosed, reproduced or used, in whole or in part, for manufacture or sale by anyone other than Amphenol Corporation without its prior consent, & that no right is granted to disclose or to use any information in this document.

CUSTOMER DRAWING

| REVISIONS |     |             |      |          |
|-----------|-----|-------------|------|----------|
| SYM       | ECN | DESCRIPTION | DATE | APPROVED |
|           |     | SEE SHEET 1 |      |          |

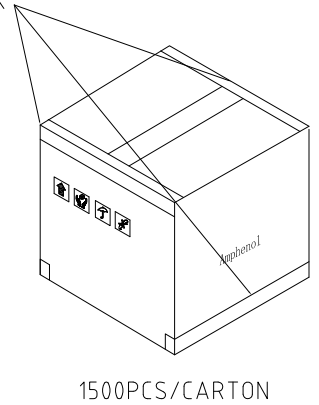


USER DIRECTION OF UNREELING



SEALING

STICK ADHESIVE TAPE ON MASTER BOX



|                                       |        |                                       |             |
|---------------------------------------|--------|---------------------------------------|-------------|
| UNLESS OTHERWISE SPECIFIED TOLERANCES |        | APPROVAL                              | DATE        |
| .X                                    | +/-    | DRAWN Johnny                          | Nov.20,2020 |
| .XX                                   | +/-    | CHECKED Ly.yi                         | Nov.20,2020 |
| .XXX                                  | +/-    | APPROVED                              |             |
| FRACTIONS                             | +/-    | DRAWING FILE :                        |             |
| ANGLES                                | +/-    | INTERNAL\DRAWING\CE\C ME100561021108X |             |
| FOR MATERIALS AND FINISHES SEE NOTES  |        | ANGLE OF PROJECTION                   |             |
| REMOVE SHARP EDGES                    |        |                                       |             |
| DIMENSIONS                            |        | SIZE                                  |             |
| U.S.                                  | INCHES | A3                                    |             |
| (METRIC)                              | (MM)   | DRAWING NO. C ME100561021108X         |             |
|                                       |        | SCALE                                 | REV.        |
|                                       |        | NONE                                  | 1           |
|                                       |        | SHEET 3 OF 3                          |             |

|                            |                   |      |
|----------------------------|-------------------|------|
| Amphenol                   |                   |      |
| TITLE                      |                   |      |
| MINI COOL EDGE CONNECTOR   |                   |      |
| 56PIN R/A 0.6mm PITCH 7.05 |                   |      |
| SIZE                       | DRAWING NO.       | REV. |
| A3                         | C ME100561021108X | 1    |
| SCALE                      | SHEET 3 OF 3      |      |
| NONE                       |                   |      |